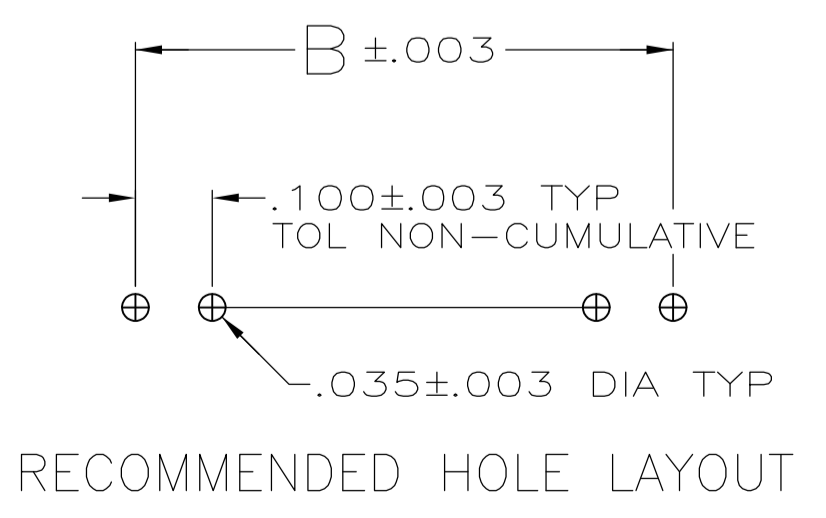


- 1 TRUE POSITION TOLERANCE OF THE POST TIPS APPLIES WHEN THE HEADERS ARE HELD FLAT AGAINST THE PRINTED CIRCUIT BOARD
- 2 ASSEMBLY MAY BE BROKEN TO THE DESIRED NUMBER OF POSITIONS
- 3 PACKAGE IN SINGLE TUBES
- 4 .000100-.000200 MATTE TIN-LEAD OVER .000050 NICKEL.
- 5 .000100-.000200 BRIGHT TIN OVER .000050 NICKEL.
- 6 PRELIMINARY PART - NOT RELEASED FOR PRODUCTION.
- 7 HOUSING MATERIAL: FLAME RETARDANT THERMOPLASTIC; COLOR-BLACK.
- 8 OBSOLETE PARTS: OBSOLETE CIS STREAMLINING PER D.RENAUD/D.SINISI



PLATING	REMARKS	C	B	A	NO OF POSN	PART NUMBER		
	OBSOLETE	5			4	5-103321-3		
		5	6		13	5-103321-2		
		5	6		11	5-103321-1		
		5	6		10	5-103321-0		
		5	6		8	4-103321-9		
		5			39	4-103321-8		
		5			40	4-103321-8		
		5			15	4-103321-7		
		5			16	4-103321-7		
		5			7	4-103321-6		
		5			8	4-103321-6		
		5			2	4-103321-5		
		5			3	4-103321-5		
		5			1	4-103321-4		
		5	6		2	4-103321-4		
		5	6		1	4-103321-3		
	SUPERSEDED BY 1-103321-4	3	3	1.384	1.300	13	14	4-103321-2
	SUPERSEDED BY 103321-3	3	3	.284	.200	2	3	4-103321-1
		4		3.984	3.900	39	40	4-103321-0
		4		3.884	3.800	38	39	3-103321-9
		4		3.784	3.700	37	38	3-103321-8
		4		3.684	3.600	36	37	3-103321-7
		4		3.584	3.500	35	36	3-103321-6
		4		3.484	3.400	34	35	3-103321-5
		4		3.384	3.300	33	34	3-103321-4
		4		3.284	3.200	32	33	3-103321-3
		4		3.184	3.100	31	32	3-103321-2
		4		3.084	3.000	30	31	3-103321-1
		4		2.984	2.900	29	30	3-103321-0
		4		2.884	2.800	28	29	2-103321-9
		4		2.784	2.700	27	28	2-103321-8
		4		2.684	2.600	26	27	2-103321-7
		4		2.584	2.500	25	26	2-103321-6
		4		2.484	2.400	24	25	2-103321-5
		4		2.384	2.300	23	24	2-103321-4
		4		2.284	2.200	22	23	2-103321-3
		4		2.184	2.100	21	22	2-103321-2
		4		2.084	2.000	20	21	2-103321-1
	SUPERSEDED BY 7-146274-0	4		1.984	1.900	19	20	2-103321-0
		4		1.884	1.800	18	19	1-103321-9
		4		1.784	1.700	17	18	1-103321-8
		4		1.684	1.600	16	17	1-103321-7
		4		1.584	1.500	15	16	1-103321-6
		4		1.484	1.400	14	15	1-103321-5
		4		1.384	1.300	13	14	1-103321-4
		4		1.284	1.200	12	13	1-103321-3
		4		1.184	1.100	11	12	1-103321-2
		4		1.084	1.000	10	11	1-103321-1
		4		.984	.900	9	10	1-103321-0
		4		.884	.800	8	9	103321-9
		4		.784	.700	7	8	103321-8
		4		.684	.600	6	7	103321-7
		4		.584	.500	5	6	103321-6
		4		.484	.400	4	5	103321-5
		4		.384	.300	3	4	103321-4
		4		.284	.200	2	3	103321-3
		4		.184	.100	1	2	103321-2
		4		.084	—	—	1	103321-1

THIS DRAWING IS A CONTROLLED DOCUMENT.

DIMENSIONS: INCHES	TOLERANCES UNLESS OTHERWISE SPECIFIED:	DIN J. MARTINELLI 15OCT92	APVD B. FLINCHBAUGH 23NOV92	NAME
0. PLC ± -	1. PLC ± -	2. PLC ± -	3. PLC ± .005	4. PLC ANGLES ± -
MATERIAL: POST: COPPER ALLOY	FINISH: SEE TABLE	WEIGHT: —	SIZE: A1	CAGE CODE: 00779
DRAWING NO: 103321		CUSTOMER DRAWING		

STE TE Connectivity

ASSEMBLY, HEADER, BREAKAWAY, MOD II, SINGLE ROW, .100 C/L, VERTICAL, WITH .025 SQUARE POSTS

SCALE: 4:1 SHEET 1 OF 1 REV R

Mouser Electronics

Authorized Distributor

Click to View Pricing, Inventory, Delivery & Lifecycle Information:

[TE Connectivity:](#)

[103321-3](#)