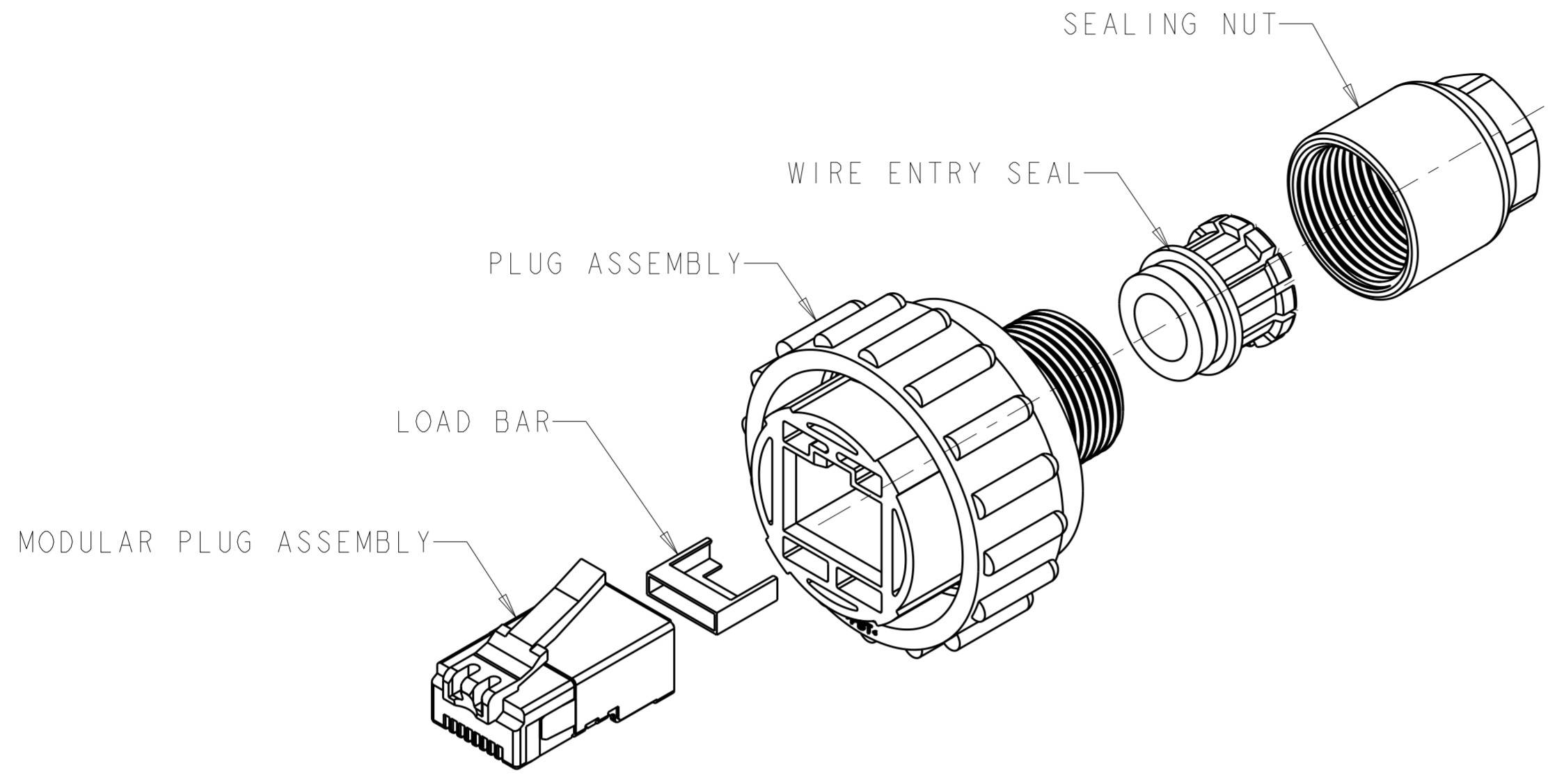
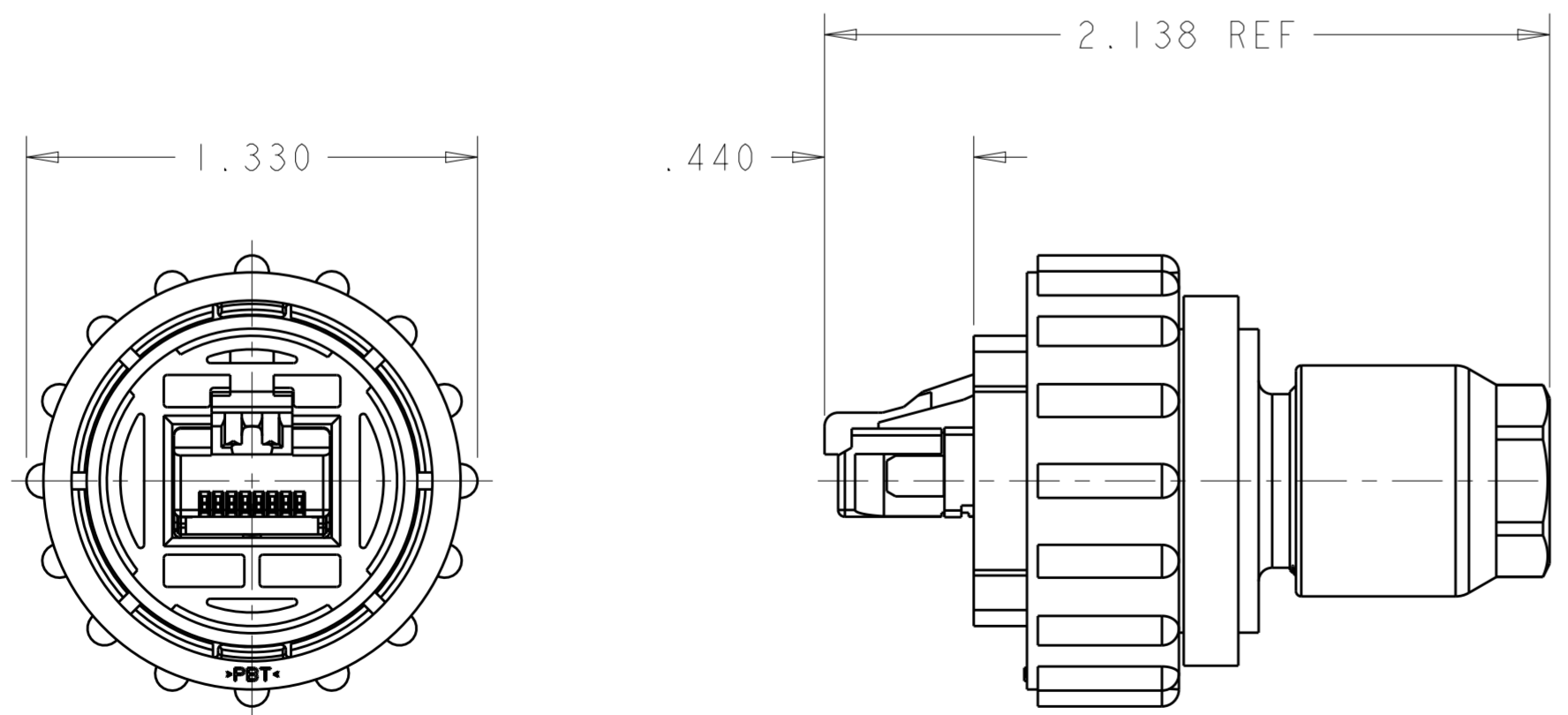


THIS DRAWING IS UNPUBLISHED. RELEASED FOR PUBLICATION 20  
 © COPYRIGHT 20 BY - ALL RIGHTS RESERVED.

REVISIONS				
P	LTR	DESCRIPTION	DATE	APVD
C		REVISED PER ECO-14-010700	28OCT2014	NK MB
CI		1546907-2 SUPERSEDED BY 1546907-1	15NOV2017	TJ NG



- 1 PARTS PACKAGED UNASSEMBLED.
- 2 CABLE DIAMETER RANGE: .180[4.6]-.236[6.0].
- ⚠ SUPERSEDED BY 1546907-1



ASSEMBLED VIEW

STRANDED	1546907-2 ⚠
SOLID OR STRANDED	1546907-1
WIRE TYPE	PART NUMBER

THIS DRAWING IS A CONTROLLED DOCUMENT.		DWN S. WELDON 08MAR2004	TE Connectivity
DIMENSIONS: INCHES		CHK H. WAKEEM 08MAR2004	
TOLERANCES UNLESS OTHERWISE SPECIFIED:		APVD H. WAKEEM 08MAR2004	
0 PLC ± 1 PLC ±0.1 2 PLC ±0.02 3 PLC ±0.005 4 PLC ±0.0005 ANGLES ± FINISH -		PRODUCT SPEC 108-2203 APPLICATION SPEC 114-13137 WEIGHT - CUSTOMER DRAWING	
NAME PLUG KIT, UNASSEMBLED, SHIELDED, CPC INDUSTRIAL ETHERNET SIZE A2 CAGE CODE 00779 DRAWING NO. C-1546907 RESTRICTED TO - SCALE 2:1 SHEET 1 OF 1 REV C1			

# Mouser Electronics

Authorized Distributor

Click to View Pricing, Inventory, Delivery & Lifecycle Information:

[TE Connectivity:](#)

[1546907-1](#)