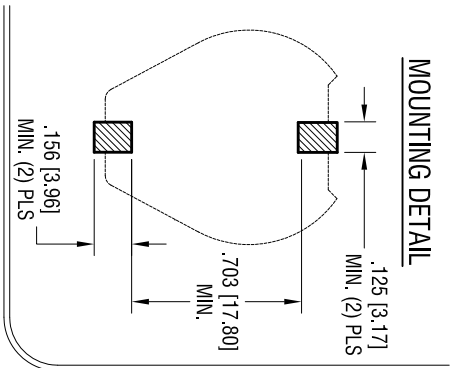
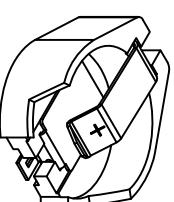
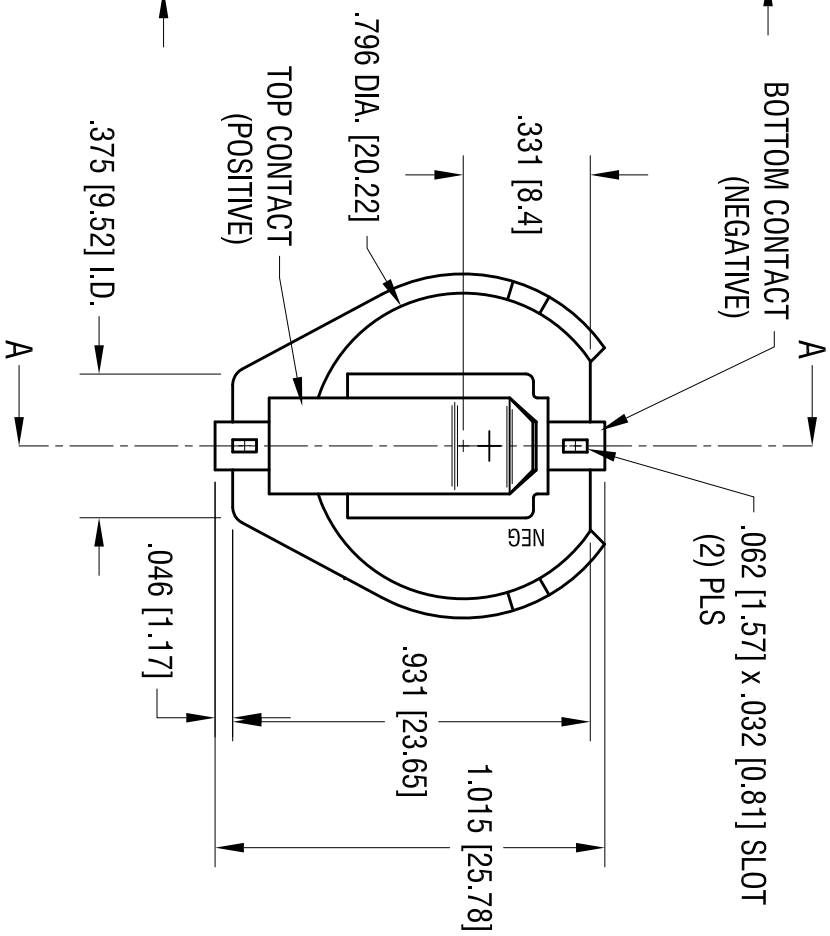
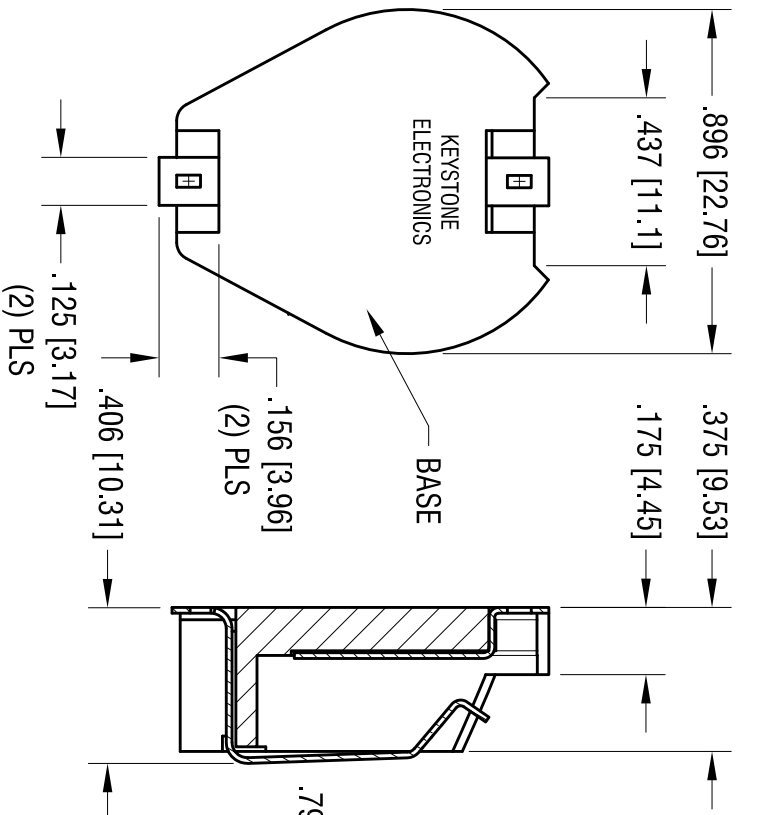


MOUNTING DETAIL



SECTION A-A



ACTUAL SIZE

- NOTES:**
1. BASE:
MAT'L - HIGH TEMPERATURE NYLON (UL 94V-0)
COLOR BLACK
 2. CONTACTS (TOP AND BOTTOM):
MAT'L - .015 [0.38] THK SPRING STEEL
FINISH: GOLD FLASH PLATE

DATE

8.12.11

DESCRIPTION

CHANGE AS PER ECN 11-104

REV.

A

KEYSTONE ELECTRONICS CORP.

www.keyleco.com • ASTORIA, N.Y. 11105-2017 • Tel (718) 956-8900

PART NAME

DUAL 20mm BATTERY HOLDER, SMT

MATERIAL

AS NOTED

FINISH

AS NOTED

TOLERANCES	INCH	[MM]	CODE
DECIMAL	± .010	[± 0.25]	C
ANGULAR	± 1°		

DRN BY	DATE
NT	3.19.09
APP'D	SCALE
LN	2X

1082

THIS DOCUMENT IS THE PROPERTY OF KEYSTONE ELECTRONICS CORP. AND SHALL NOT BE REPRODUCED, DISTRIBUTED OR USED AS A BASIS FOR MANUFACTURE WITHOUT PRIOR WRITTEN PERMISSION FROM KEYSTONE ELECTRONICS CORP.

Mouser Electronics

Authorized Distributor

Click to View Pricing, Inventory, Delivery & Lifecycle Information:

[Keystone Electronics:](#)

[1082](#)