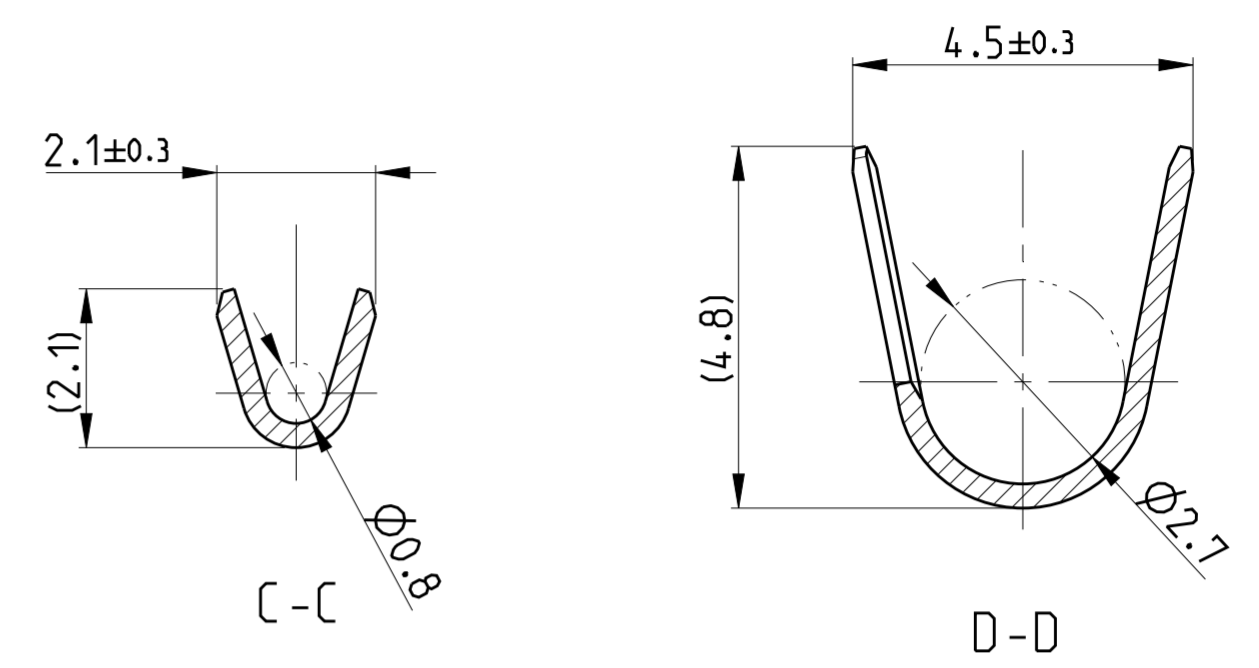
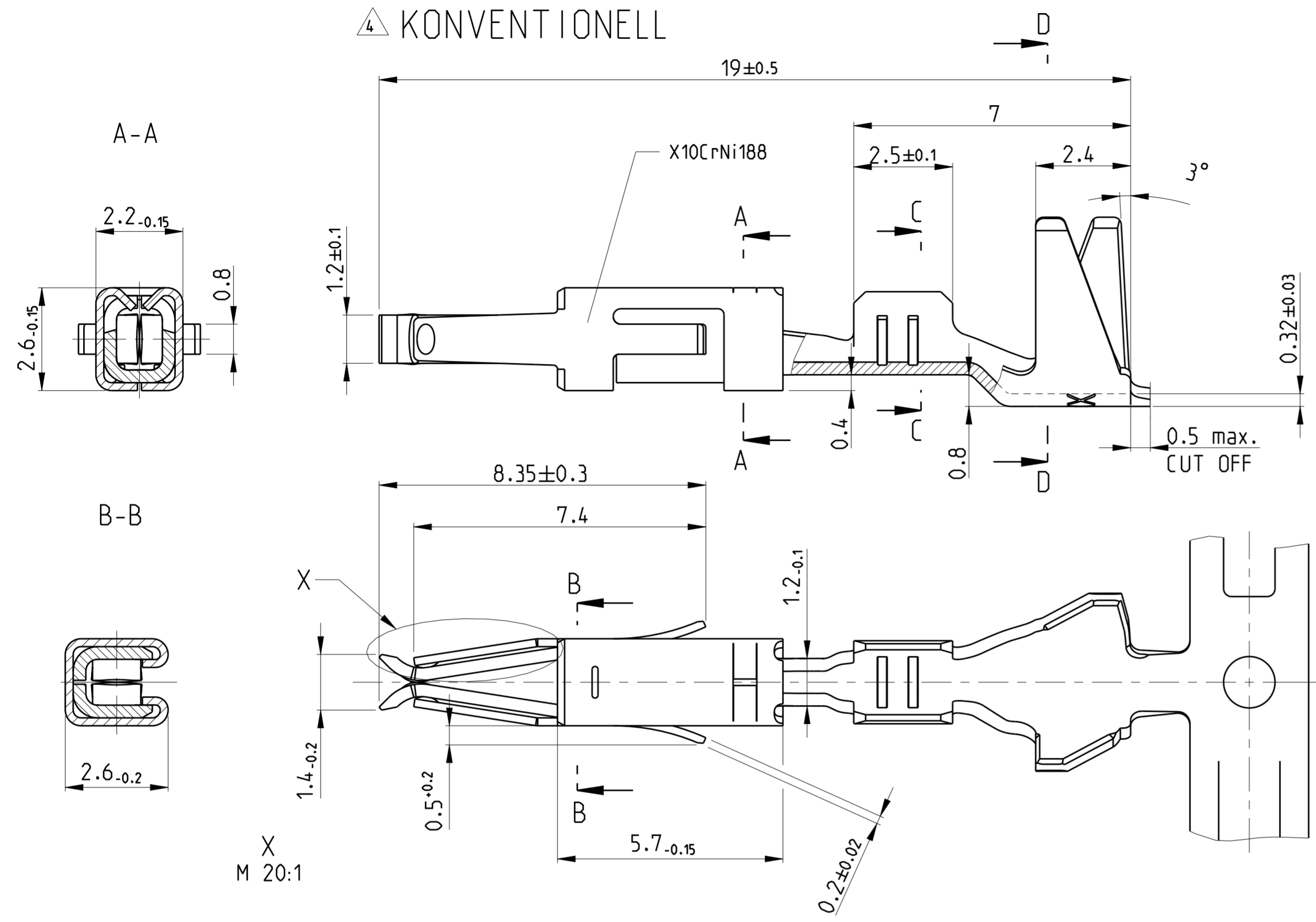


THIS DRAWING IS UNPUBLISHED. RELEASED FOR PUBLICATION
 © COPYRIGHT. ALL RIGHTS RESERVED.

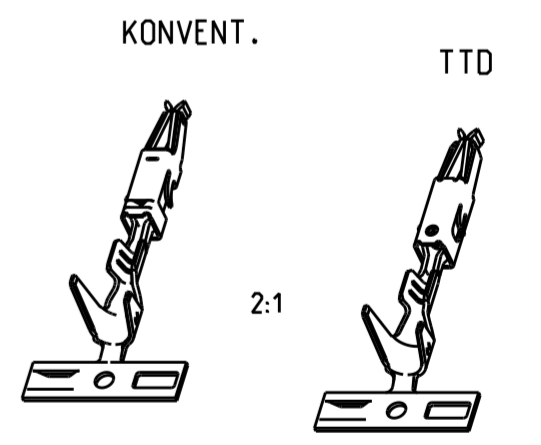
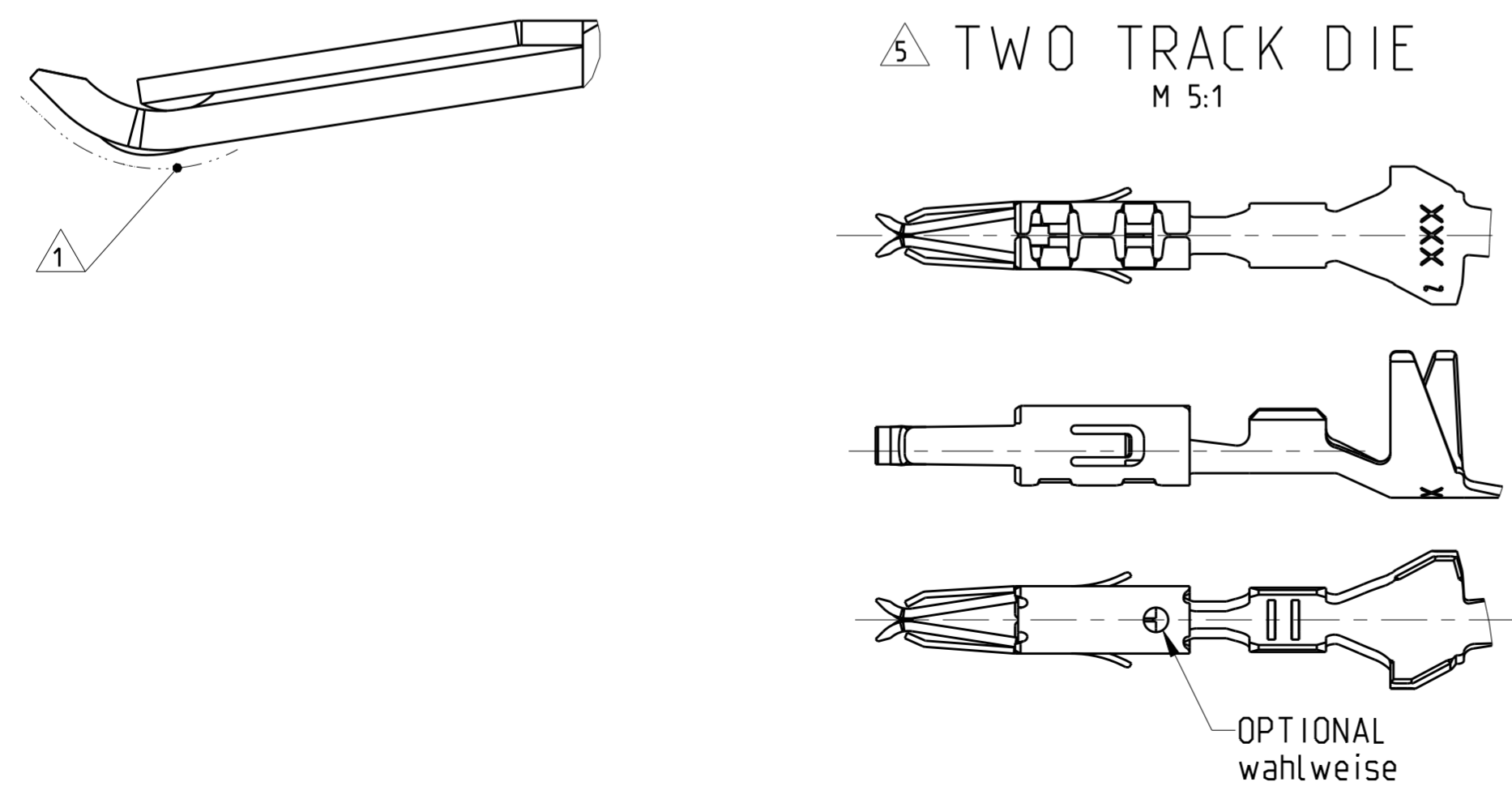
LOC		DIST		REVISIONS			
P	LTR	DESCRIPTION	DATE	DWN	APVD		
A1	-						
	N3	NEW VERISON OF GOLD CONTACTS PRERMITTED.	18MAY2011	Kirs	Mair		
	N4	OPTIONAL to note 5 TTD added. (area A3)	29JUN2011	Kirs	Mair		
	N5	PRODUCT SPEC CORRECTED	23JUN2014	Ho.	Eder		
	N6	ECR-15-012070	13AUG2015	JB.JH	BK		

4 KONVENTIONELL



- 1 SELECTIVE GOLD PLATED MIN. 0.8 µm OVER NI
selektiv vergoldet 0.8 µm ueber Ni
- 2 TIN PLATED MIN. 0.2 µm OVER NI
verzinkt 0.2 µm ueber Ni
- 3 WIRE RANGE : 0.2 - 0.5 mm²
INSULATION-Ø: 2.8 mm (SINGLE WIRE SEAL)
Drahtgrossenbereich: 0.2 - 0.5 mm²
Isolations-Ø: 2.8 mm (Einzeldichtung)

5 TWO TRACK DIE
M 5:1



VERSION	SURFACE / Oberflaeche	MATERIAL	PART NO	REV
5 4	1 2	CuFe2	962875-5	N
5 4	1 2	CuSn4	962875-3	N
5	PRETIN / vorverzinkt	CuFe2	962875-2	N
5	PRETIN / vorverzinkt	CuSn4	962875-1	N

THIS DRAWING IS A CONTROLLED DOCUMENT.

DIMENSIONS: mm	TOLERANCES UNLESS OTHERWISE SPECIFIED:	DWN R.Hofer 05-JAN-89	CHK L.Nix 05-APR-89	APVD M.Bleicher 25-JUN-08	NAME
	0-PLC ±	STE TE Connectivity			MICRO TIMER 2 CONTACT WITH DOUBLE LOCKING LANCE mit doppelter Rastfeder
	1-PLC ± ±0.2	108-18055			
	2-PLC ± ±0.2	114-18081			SIZE CAGE CODE DRAWING NO
	3-PLC ± ±0.2	WEIGHT 0.3 g			A2 00779 C-962875
	4-PLC ± ±2°	Customer Drawing			RESTRICTED TO
	ANGLES ±2°	SCALE 10:1			SHEET 1 OF 1
	FINISH	REV N6			

Mouser Electronics

Authorized Distributor

Click to View Pricing, Inventory, Delivery & Lifecycle Information:

[TE Connectivity:](#)

[962875-2](#)