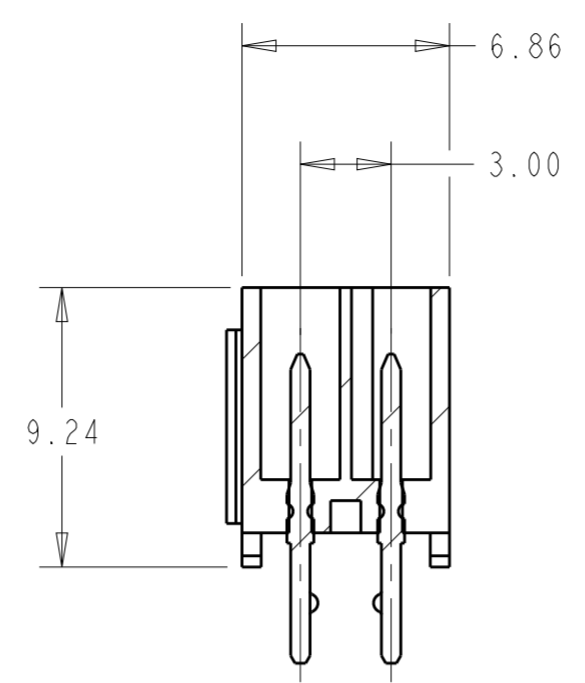
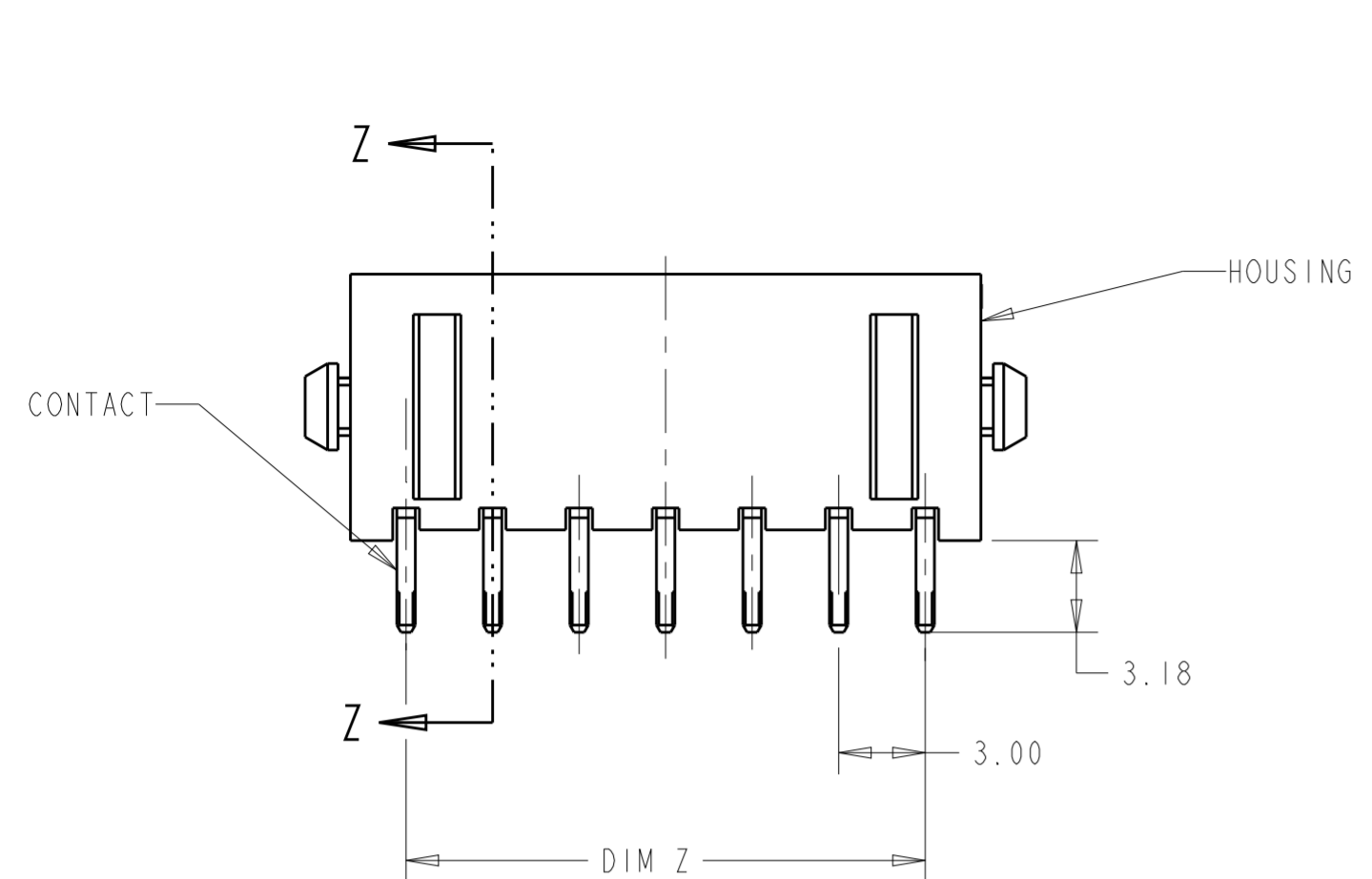
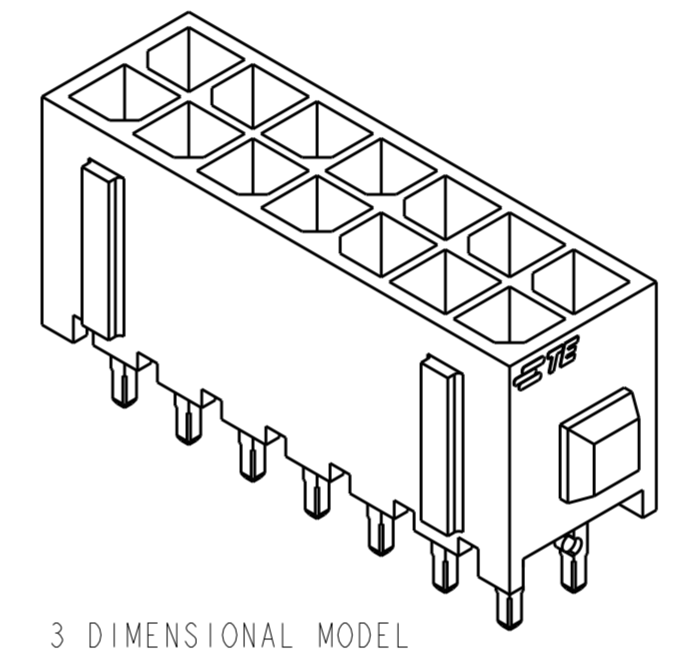
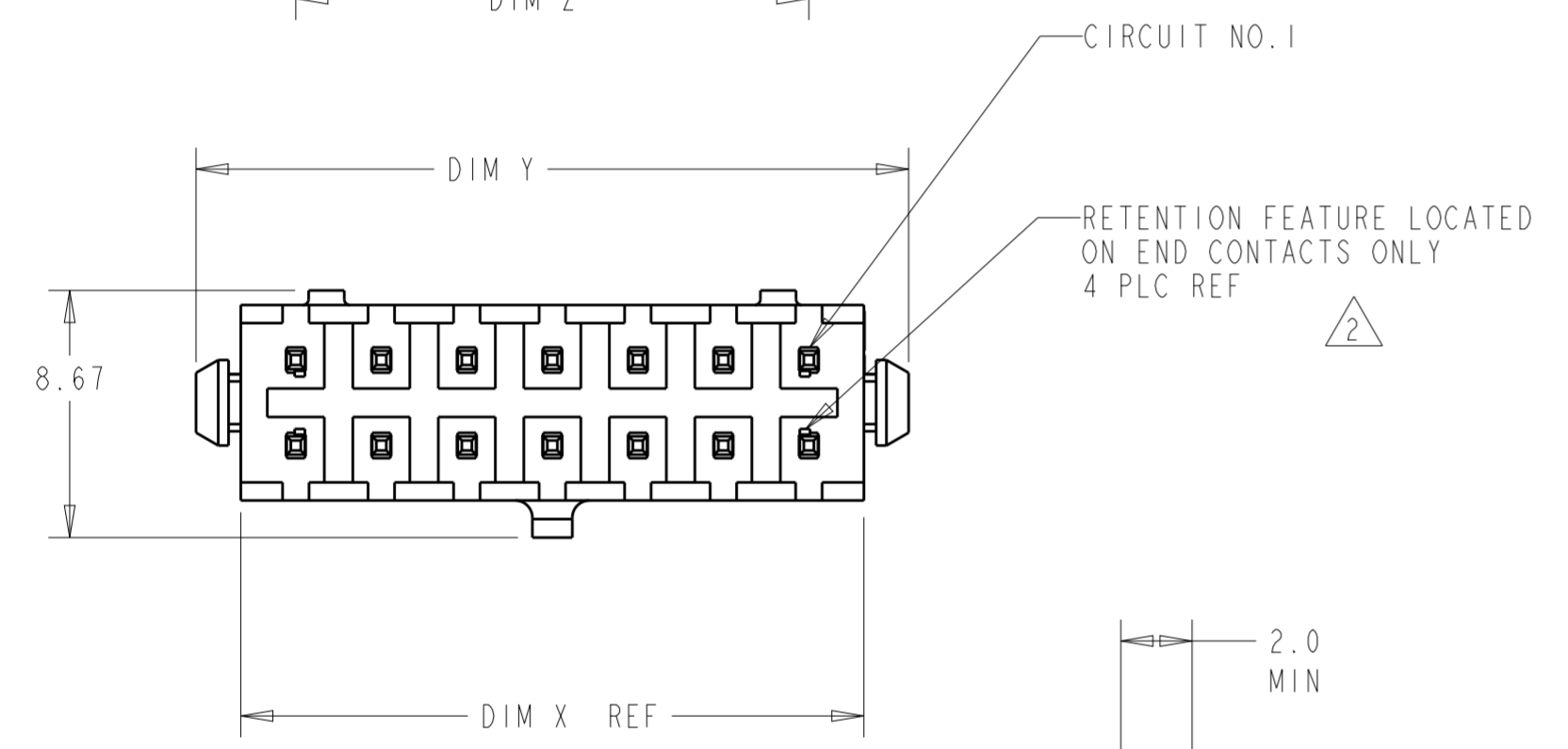


THIS DRAWING IS UNPUBLISHED. RELEASED FOR PUBLICATION  
 © COPYRIGHT 20 BY - ALL RIGHTS RESERVED.

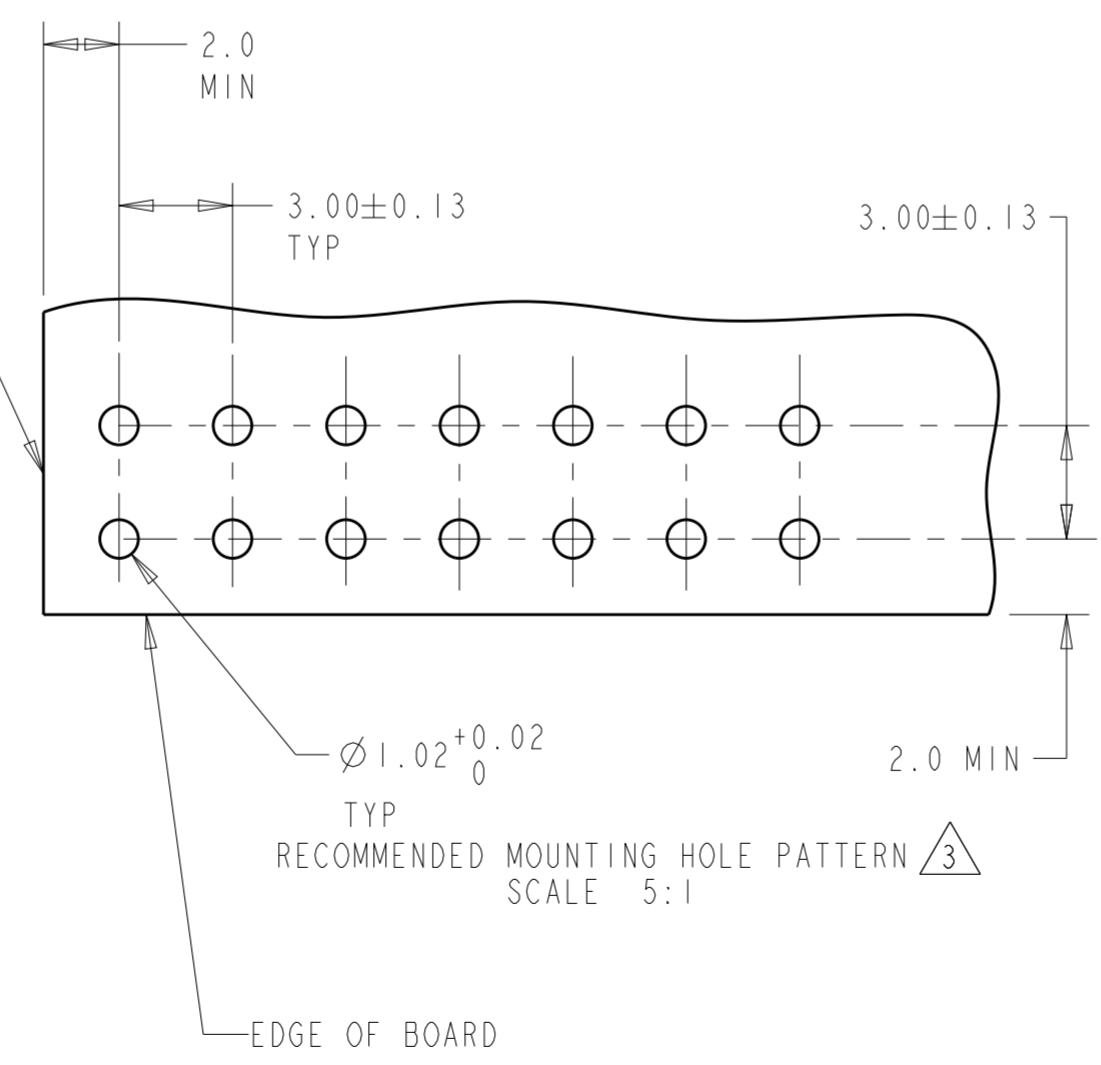
REVISIONS					
P	LTR	DESCRIPTION	DATE	DWN	APVD
E1		REVISED PER ECR-16-011494	21JUN2017	NK	CX
E2		REVISED PER ECO-19-002679	20FEB2019	WLS	WLS



SECTION Z-Z



3 DIMENSIONAL MODEL



- 1 MATERIAL: HOUSING - NYLON, UL 94V-0, BLACK.  
CONTACT - BRASS.  
0.000762 MINIMUM GOLD OVER 0.00254  
MINIMUM NICKEL ON MATING AREA. 0.00254  
TIN-LEAD MINIMUM OVER 0.00254 NICKEL  
MINIMUM ON SOLDER TAILS.
- 2 MAXIMUM INSERTION 20 LBS.
- 3 RECOMMENDED BOARD THICKNESS 1.57.
- 4 MATERIAL: HOUSING - NYLON, UL 94V-0, BLACK.  
CONTACT - BRASS.  
0.000762 MINIMUM GOLD OVER 0.00254  
MINIMUM NICKEL ON MATING AREA. 0.00254  
MATTE TIN MINIMUM OVER 0.00254 NICKEL  
MINIMUM ON SOLDER TAILS.
- 5 PACKING TYPE: TRAY.
- 6 PACKING TYPE: TAPE & REEL.

6	4	16.00	9.00	12.86	8	6-794632-8		
5	4	40.00	33.00	36.86	24	5-794632-4		
5	4	37.00	30.00	33.86	22	5-794632-2		
5	4	34.00	27.00	30.86	20	5-794632-0		
5	4	31.00	24.00	27.86	18	4-794632-8		
5	4	28.00	21.00	24.86	16	4-794632-6		
5	4	25.00	18.00	21.86	14	4-794632-4		
5	4	22.00	15.00	18.86	12	4-794632-2		
5	4	19.00	12.00	15.86	10	4-794632-0		
5	4	16.00	9.00	12.86	8	3-794632-8		
5	4	13.00	6.00	9.86	6	3-794632-6		
5	4	10.00	3.00	6.86	4	3-794632-4		
5	4	7.00	-	3.86	2	3-794632-2		
SUPERSEDED BY 5-794632-4		-	1	40.00	33.00	36.86	24	<del>2-794632-4</del>
SUPERSEDED BY 5-794632-2		-	1	37.00	30.00	33.86	22	<del>2-794632-2</del>
SUPERSEDED BY 5-794632-0		-	1	34.00	27.00	30.86	20	<del>2-794632-0</del>
SUPERSEDED BY 4-794632-8		-	1	31.00	24.00	27.86	18	<del>1-794632-8</del>
SUPERSEDED BY 4-794632-6		-	1	28.00	21.00	24.86	16	<del>1-794632-6</del>
SUPERSEDED BY 4-794632-4		-	1	25.00	18.00	21.86	14	<del>1-794632-4</del>
SUPERSEDED BY 4-794632-2		-	1	22.00	15.00	18.86	12	<del>1-794632-2</del>
SUPERSEDED BY 4-794632-0		-	1	19.00	12.00	15.86	10	<del>1-794632-0</del>
SUPERSEDED BY 3-794632-8		-	1	16.00	9.00	12.86	8	<del>794632-8</del>
SUPERSEDED BY 3-794632-6		-	1	13.00	6.00	9.86	6	<del>794632-6</del>
SUPERSEDED BY 3-794632-4		-	1	10.00	3.00	6.86	4	<del>794632-4</del>
SUPERSEDED BY 3-794632-2		-	1	7.00	-	3.86	2	<del>794632-2</del>
PACKING	FINISH	DIM Y	DIM Z	DIM X	NO. OF POSN.	PART NUMBER		

THIS DRAWING IS A CONTROLLED DOCUMENT.

DIMENSIONS: mm [INCHES]

TOLERANCES UNLESS OTHERWISE SPECIFIED:

0 PLC	±
1 PLC	±
2 PLC	±0.20 [0.008]
3 PLC	±
4 PLC	±
ANGLES	±
FINISH	±

MATERIAL: SEE TABLE

FINISH: SEE TABLE

DWN: B. HAYMAKER 16AUG99  
 CHK: K. COBLE 16AUG99  
 APVD: K. COBLE 16AUG99

PRODUCT SPEC: -  
 APPLICATION SPEC: -  
 WEIGHT: -

CUSTOMER DRAWING

SCALE: 4:1 SHEET 1 OF 1 REV E2

STE TE Connectivity

NAME: VERTICAL HEADER ASSEMBLY, THRU HOLE, 30 GOLD, DUAL ROW, MICRO MATE-N-LOK™

SIZE: A2 CAGE CODE: 00779 DRAWING NO: 794632