

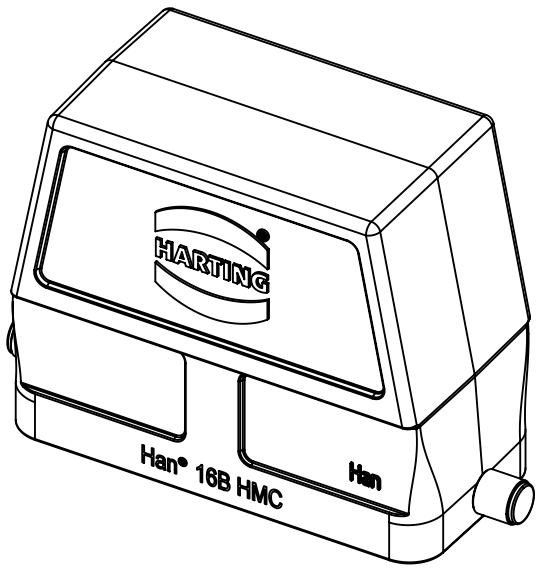
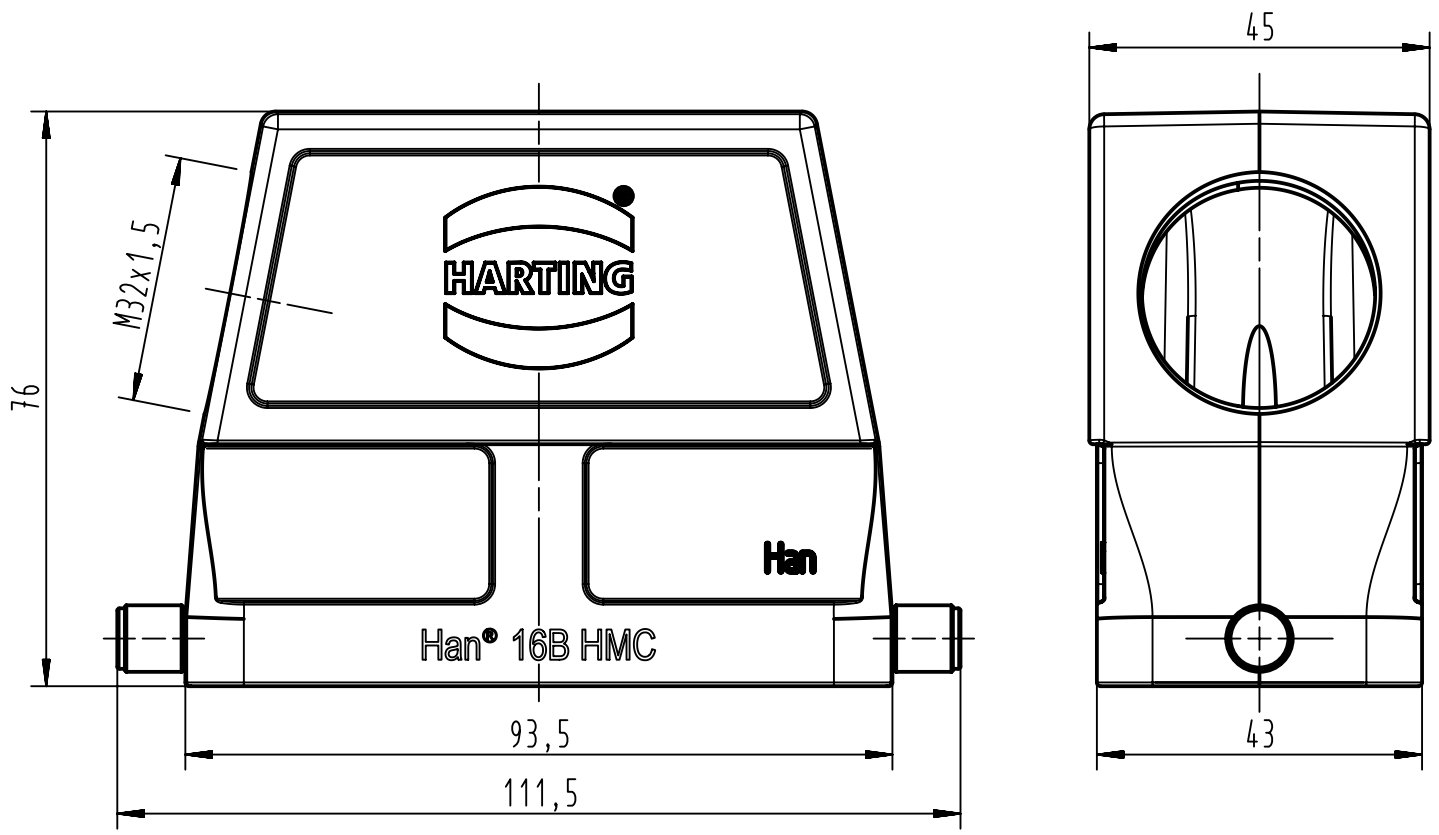
1 2 3 4 5 6

A

B

C

D



	All Dimensions in mm Original Size DIN A4		Scale 1:1	Free size tol.		Ref.		
						Sub.		
	All rights reserved		Created by HOLLERT	Inspected by BERGHORN	Standardisation SCHMIDTM	Date 2013-03-21	State Old Release	
	Department EL PD - DE		Title Han 16B-HMC-gs-R-M32				Doc-Key / ECM-Nr. 100533843/UGD/002/A 5300000660377	
HARTING Electric GmbH & Co. KG D-32339 Espelkamp			Type TB	Number 19 30 216 0547			Rev. A	Page 1/1