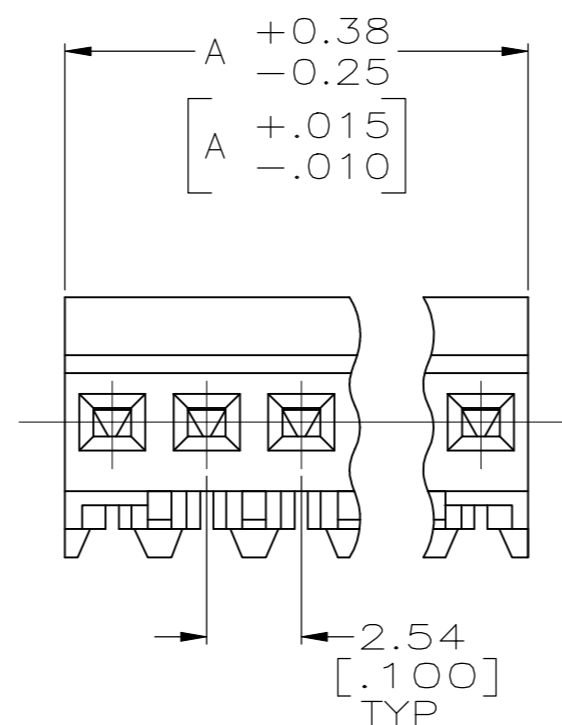
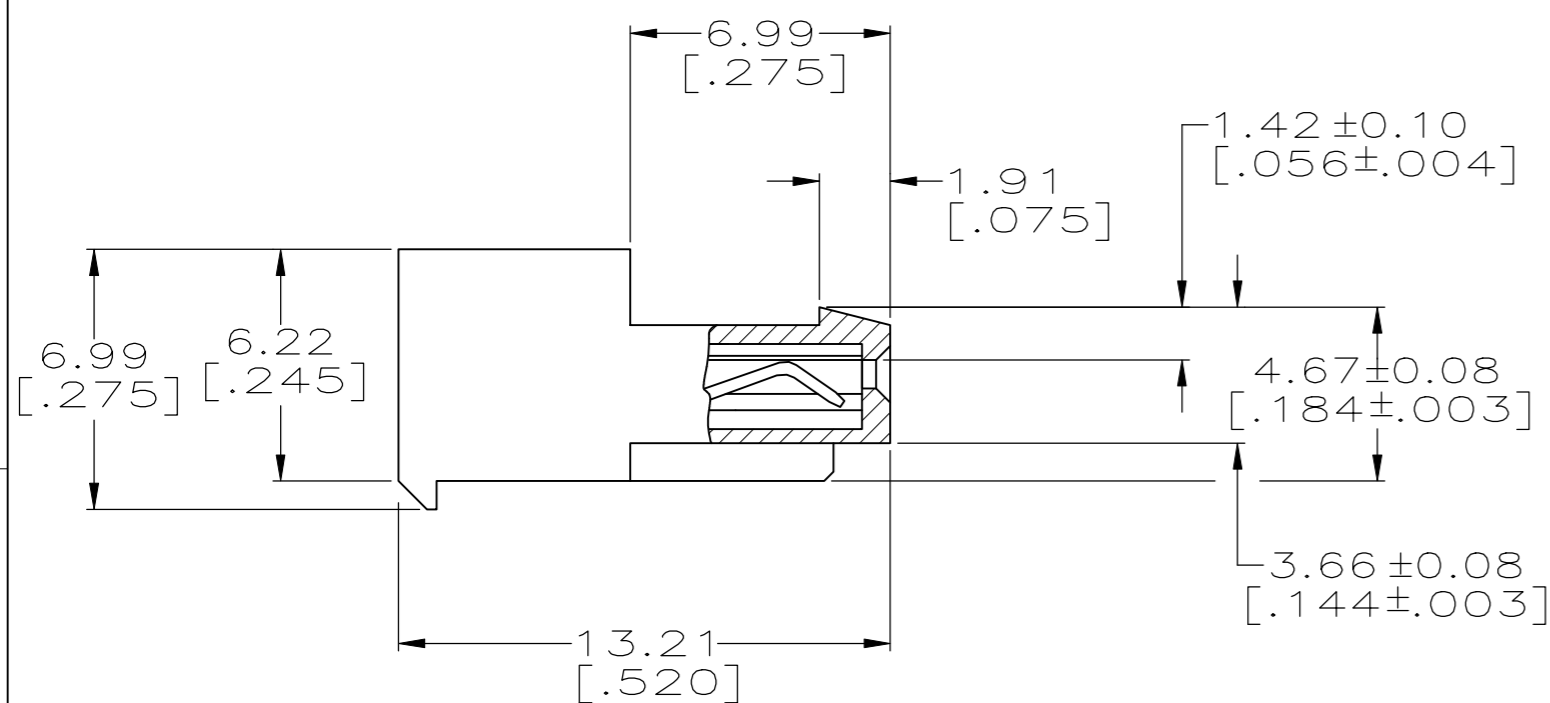
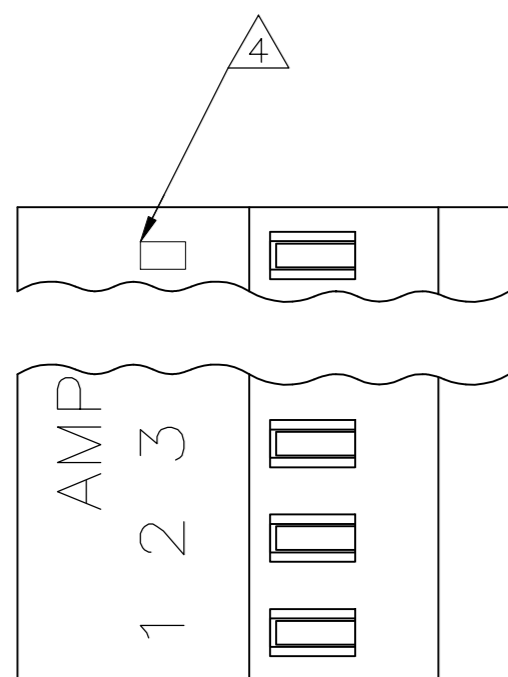


THIS DRAWING IS UNPUBLISHED. RELEASED FOR PUBLICATION
 © COPYRIGHT - By - ALL RIGHTS RESERVED.

REVISIONS				
P	LTR	DESCRIPTION	DATE	DWN / APVD
	F3	REVISED PER ECR-17-013141	03JAN2018	BDA / SG



1 MATERIAL: CONNECTOR-NYLON UL94V-0 (BLACK)
 CONTACTS-0.30 [.012] THICK COPPER ALLOY
 BRIGHT TIN-LEAD 0.00203 [.000080] MIN THICK FOR CONTACTS
 643498-2 THRU 1-643498-5
 MATTE WHISKER MITIGATED TIN PLATE 0.00203 [.000080] MIN THICK
 OVER 0.00076 [.000030] MIN THICK NICKEL FOR CONTACTS
 3-643498-2 THRU 4-643498-5

2. CONTACTS ACCEPT 22 AWG WIRE WITH 1.52 [.060] MAX INSULATION DIAMETER.
 3. CONTACTS MUST ACCEPT 0.64 ± 0.03 [.025 ± .001] SQUARE POST AND REMAIN LOCKED IN POSITION.

4 IDENTIFICATION NUMBER FOR LAST CIRCUIT MAY NOT APPEAR ON ALL ASSEMBLIES.

5. DIMENSIONS IN BRACKETS ARE IN INCHES.

6. HOUSING FEATURES ARE: CLOSED END WITH LOCKING RAMP.

7 OBSOLETE PARTS

LEAD FREE	38.10 [1.500]	15	4-643498-5
	35.56 [1.400]	14	4-643498-4
	33.02 [1.300]	13	4-643498-3
	30.48 [1.200]	12	4-643498-2
	27.94 [1.100]	11	4-643498-1
	25.40 [1.000]	10	4-643498-0
	22.86 [.900]	9	3-643498-9
	20.32 [.800]	8	3-643498-8
	17.78 [.700]	7	3-643498-7
	15.24 [.600]	6	3-643498-6
	12.70 [.500]	5	3-643498-5
	10.16 [.400]	4	3-643498-4
	7.62 [.300]	3	3-643498-3
	5.08 [.200]	2	3-643498-2

CONTAINS LEAD	SUPERCEDED BY 4-643498-5	38.10 [1.500]	15	4-643498-5
	SUPERCEDED BY 4-643498-4	35.56 [1.400]	14	4-643498-4
	SUPERCEDED BY 4-643498-3	33.02 [1.300]	13	4-643498-3
	SUPERCEDED BY 4-643498-2	30.48 [1.200]	12	4-643498-2
	SUPERCEDED BY 4-643498-1	27.94 [1.100]	11	4-643498-1
	SUPERCEDED BY 4-643498-0	25.40 [1.000]	10	4-643498-0
	SUPERCEDED BY 3-643498-9	22.86 [.900]	9	643498-9
	SUPERCEDED BY 3-643498-8	20.32 [.800]	8	643498-8
	SUPERCEDED BY 3-643498-7	17.78 [.700]	7	643498-7
	SUPERCEDED BY 3-643498-6	15.24 [.600]	6	643498-6
	SUPERCEDED BY 3-643498-5	12.70 [.500]	5	643498-5
	SUPERCEDED BY 3-643498-4	10.16 [.400]	4	643498-4
	SUPERCEDED BY 3-643498-3	7.62 [.300]	3	643498-3
	SUPERCEDED BY 3-643498-2	5.08 [.200]	2	643498-2

DIM A	NO. OF POSN	ASSEMBLY
-------	-------------	----------

THIS DRAWING IS A CONTROLLED DOCUMENT.		DWN S. HOOVER 03-DEC-2004		
DIMENSIONS: mm [INCHES]		CHK D. BOSSI 03-DEC-2004		
TOLERANCES UNLESS OTHERWISE SPECIFIED:		APVD D. BOSSI 03-DEC-2004	NAME	
0 PLC ±	0.13 [.005]	PRODUCT SPEC		
1 PLC ±		108-1050		
2 PLC ±		APPLICATION SPEC		
3 PLC ±		114-1019		
4 PLC ANGLES ±		SIZE A2	CAGE CODE 00779	DRAWING NO. 643498
MATERIAL 1	FINISH 1	CUSTOMER DRAWING		RESTRICTED TO
		SCALE 5:1	SHEET 1 of 1	REV F3

Mouser Electronics

Authorized Distributor

Click to View Pricing, Inventory, Delivery & Lifecycle Information:

[TE Connectivity:](#)

[3-643498-5](#)