

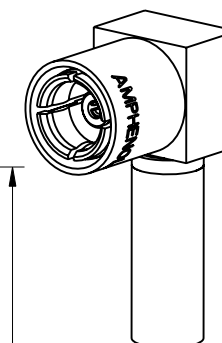
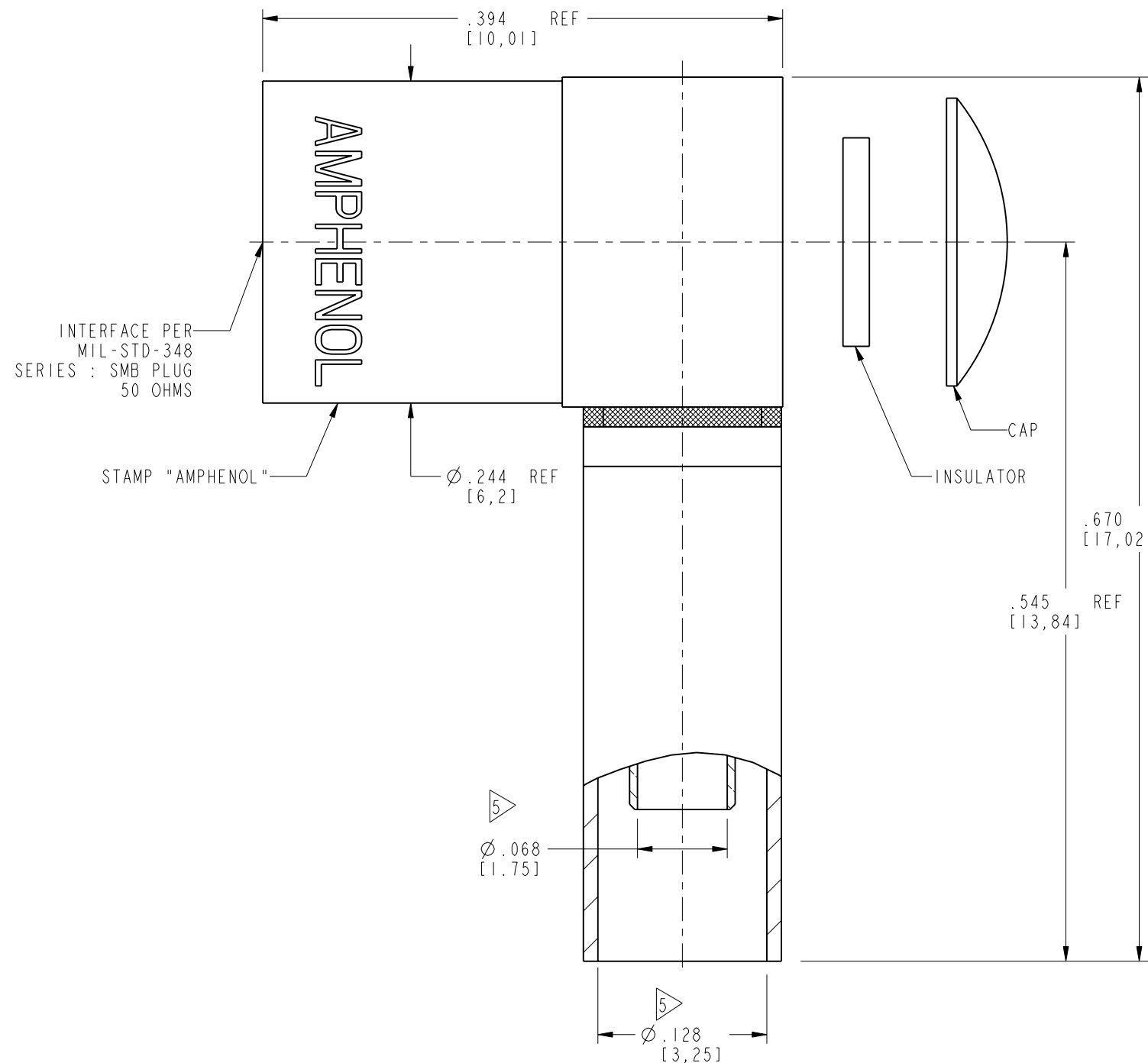
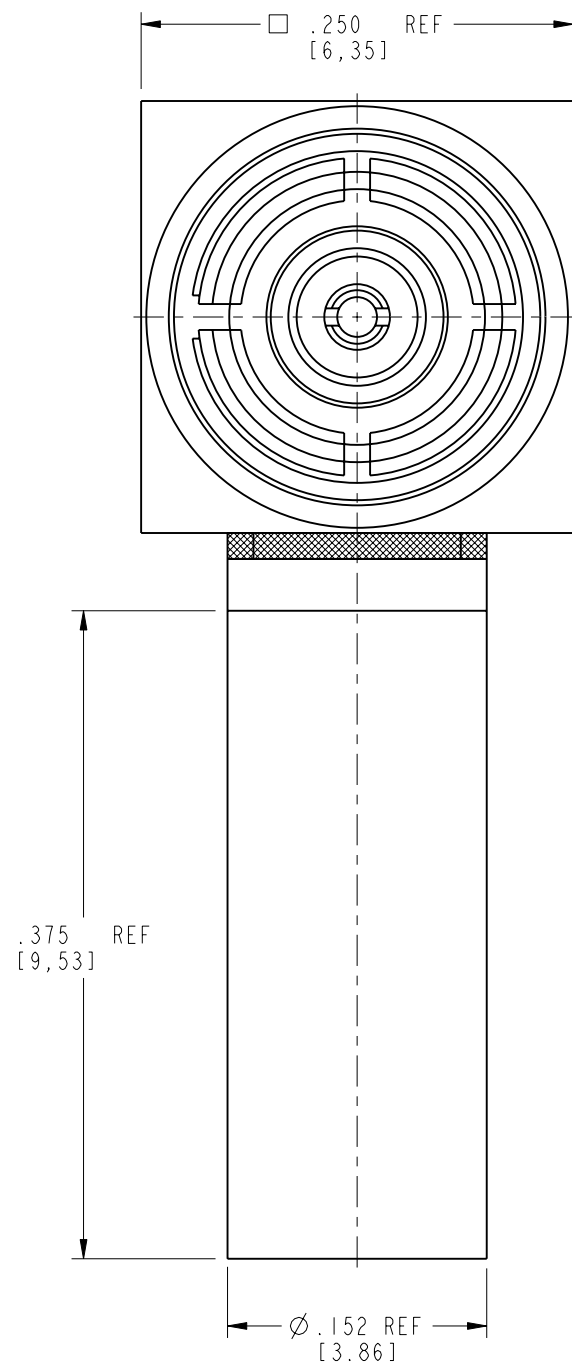
NOTES:

1. MATERIALS AND FINISHES:  
 BODY - BRASS, GOLD PLATING  
 CONTACT - BeCu, GOLD PLATING  
 INSULATORS - PTFE, NATURAL  
 BODIES & CAP - BRASS, NICKEL PLATING  
 RETAINING RING - BeCu, NICKEL PLATING  
 FERRULE - COPPER, NICKEL PLATING
  2. MECHANICAL:  
 A. DURABILITY: 500 CYCLES MIN.  
 B. TEMPERATURE RANGE: -65° C TO +165° C
  3. PACKAGING:  
 A. QUANTITY: SINGLE PACK  
 B. MARKING: BAG TO BE MARKED  
 "AMPHENOL RF, 903-429P-51A, AND DATE CODE"
  4. FOR CABLE ASSEMBLY INSTRUCTIONS SEE AMPHENOL SPECIFICATION 349-50521 SHEET 5.
5. SHOWS CABLE ENTRY DIMENSIONS.

THIRD ANGLE PROJ.

REVISIONS

REV	DESCRIPTION	DATE	ECO	APPR
A	RELEASE TO MFG.	04-Mar-93	39328	PB
E	REDRAWN IN PRO-E & COD SHEET ADDED	29-Apr-15	49810	AAP



SCALE 2.500

**CUSTOMER OUTLINE DRAWING**

ALL OTHER SHEETS ARE FOR INTERNAL USE ONLY

UNLESS OTHERWISE SPECIFIED, DIMENSIONS ARE IN METRIC AND TOLERANCES ARE:  
 <0.5mm ±0.05mm    0.5 - 6mm ±0.1mm    6 - 30mm ±0.2mm    30 - 120mm ±0.3mm    ANGLES ±1°

NOTICE - These drawings, specifications, or other data (1) are, and remain the property of Amphenol corp. (2) must be returned upon request; and (3) are confidential and not to be disclosed to any person other than those to whom they are given by Amphenol Corp. the furnishing of these drawings, specifications, or other data by Amphenol Corp., or to any other person to anyone for any purpose is not to be regarded by implication or otherwise in any manner licensing, granting rights to permitting such holder or any other person to manufacture, use or sell any product, process or design, patented or otherwise, that may in any way be related to or disclosed by said drawings, specifications, or other data.

MATERIAL	SEE BOM TABLE
REFERENCE	EAR # 111-962530 EAR # 111-963526 615X-1170-100 CONFIGURATION LEVEL: In Work
FINISH	

DRAWN	S. DUAN	DATE	30-Apr-15
ENGINEER	RAV	DATE	30-Apr-15
APPROVED	S. HSIEH	DATE	30-Apr-15
CAD FILE			

TITLE	
SMB RA PLUG CRIMP TYPE FOR RG 316/U CABLE	
SCALE: 9.0:1.0	SHEET 2 OF 2
DWG SIZE	REV
B	E

Amphenol RF	
www.amphenolrf.com	
DRAWING NO. 903-429P-51A	
ITEM NO. 903-429P-51A	
PART NO. 903-429P-51A	

# Mouser Electronics

Authorized Distributor

Click to View Pricing, Inventory, Delivery & Lifecycle Information:

[Amphenol:](#)

[903-429P-51A](#)