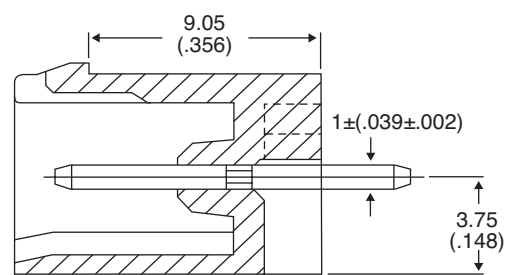
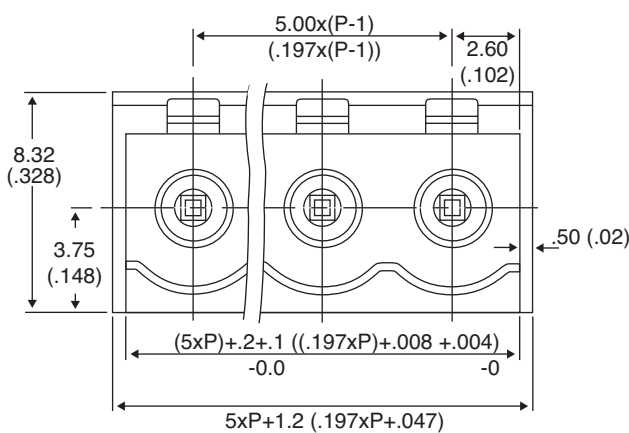
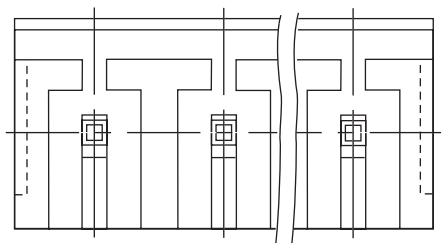
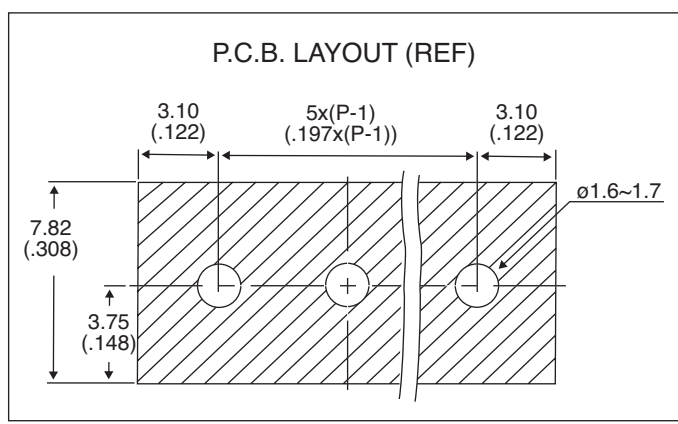
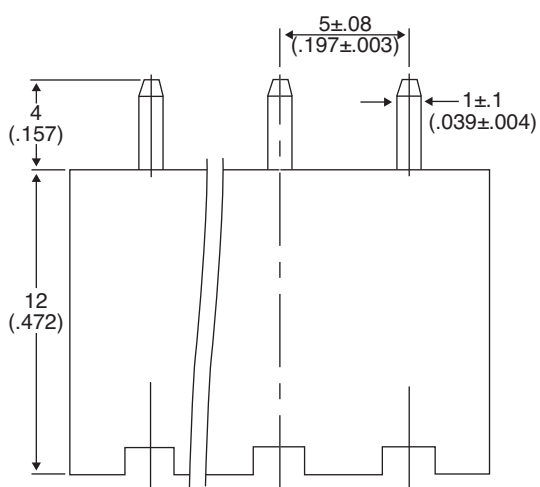


Terminal Block Headers

158-P025EHDVCH-E, 158-P035EHDVCH-E, 158-P045EHDVCH-E, 158-P055EHDVCH-E,
 158-P065EHDVCH-E, 158-P075EHDVCH-E, 158-P085EHDVCH-E, 158-P095EHDVCH-E,
 158-P105EHDVCH-E, 158-P115EHDVCH-E, 158-P125EHDVCH-E



Terminal Block Headers



Dimensions: mm (in.)

MATERIAL SPECIFICATIONS	
Solder pin:	Tin plated copper
Housing:	PA66, green

SPECIFICATIONS	
Rating:	300V 15A
Pitch:	5.00mm
Insulation withstand voltage:	AC1500V/min.
Insulation resistance:	500MΩ or more @ DC500V
Using Temperature range:	-40°C ~ +105°C
RoHS Compliant	

158-P025EHDVCH-E, 158-P035EHDVCH-E, 158-P045EHDVCH-E, 158-P055EHDVCH-E,
 158-P065EHDVCH-E, 158-P075EHDVCH-E, 158-P085EHDVCH-E, 158-P095EHDVCH-E,
 158-P105EHDVCH-E, 158-P115EHDVCH-E, 158-P125EHDVCH-E

Date Last Revised: 3-7-07

Available from Mouser Electronics
 1-800-346-6873 / www.mouser.com

KC- 301127

Specifications are subject to change without notice. No liability or warranty implied by this information. Environmental compliance based on producer documentation.

Mouser Electronics

Authorized Distributor

Click to View Pricing, Inventory, Delivery & Lifecycle Information:

[Kobiconn:](#)

[158-P055EHDVCH-E](#) [158-P035EHDVCH-E](#) [158-P065EHDVCH-E](#) [158-P115EHDVCH-E](#) [158-P025EHDVCH-E](#) [158-P075EHDVCH-E](#) [158-P125EHDVCH-E](#) [158-P105EHDVCH-E](#) [158-P085EHDVCH-E](#) [158-P045EHDVCH-E](#) [158-P095EHDVCH-E](#)