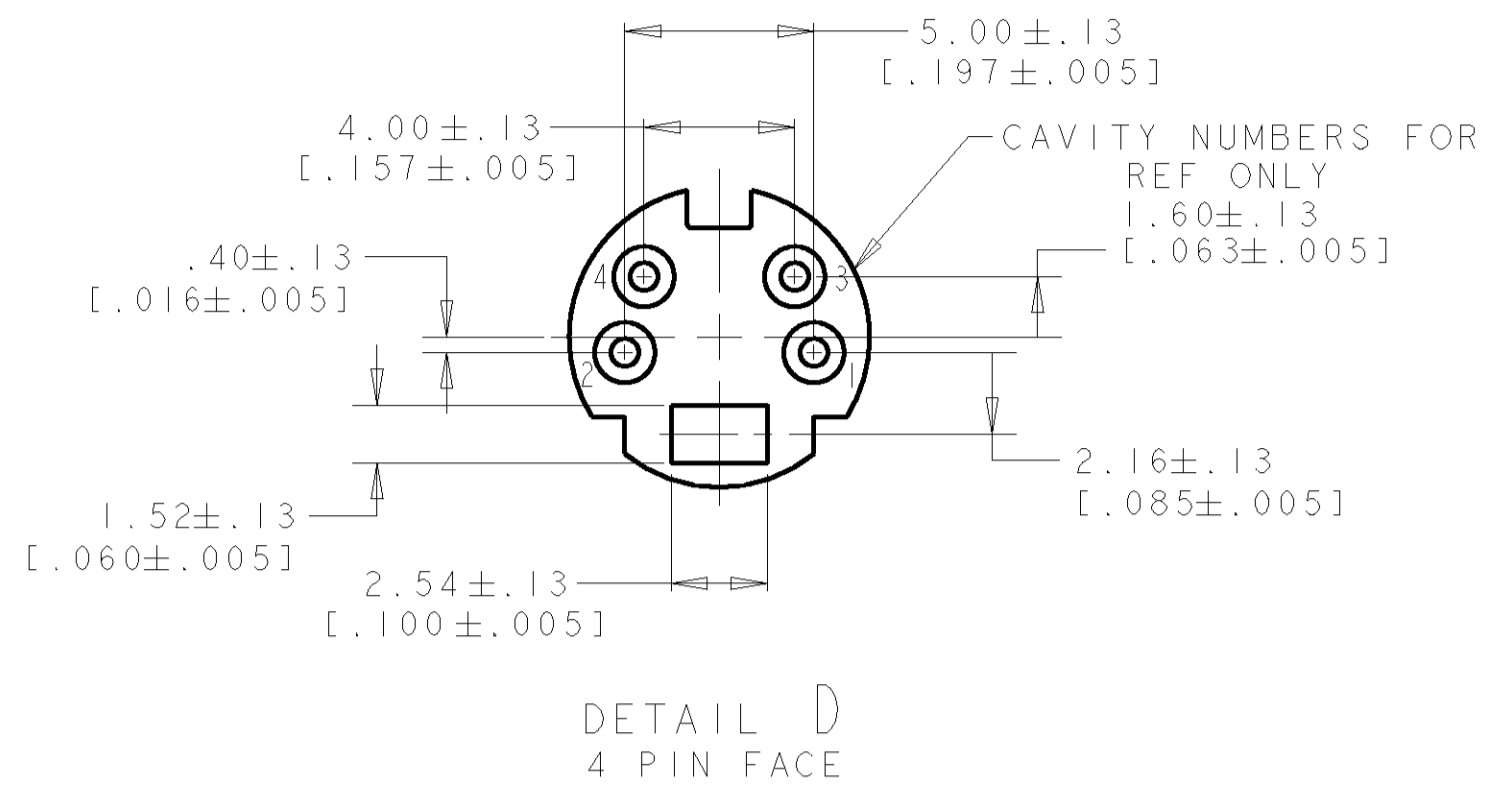
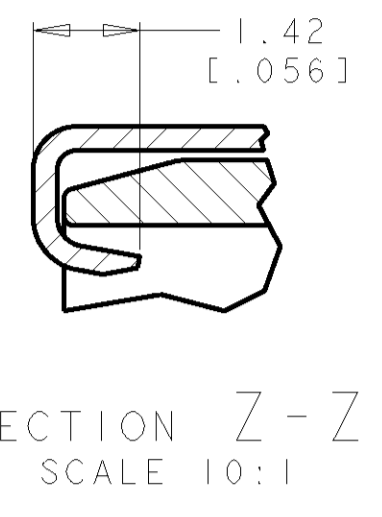
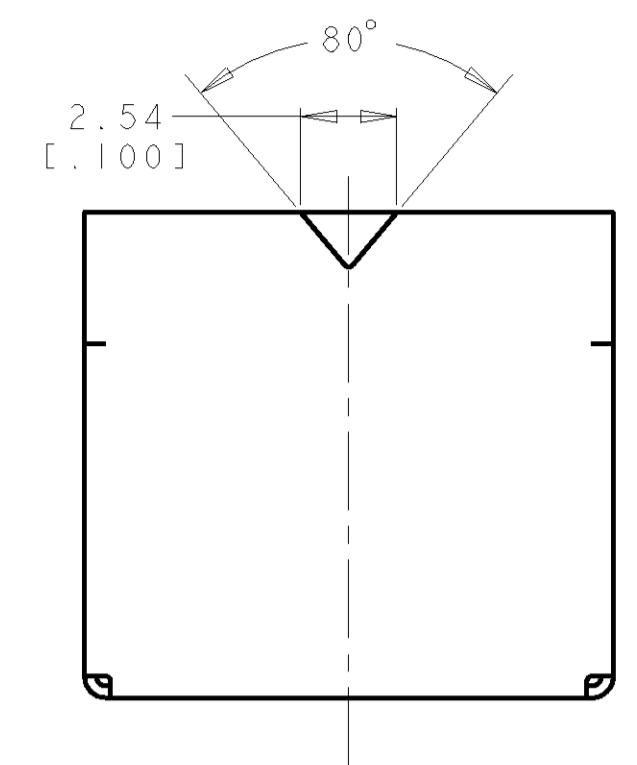
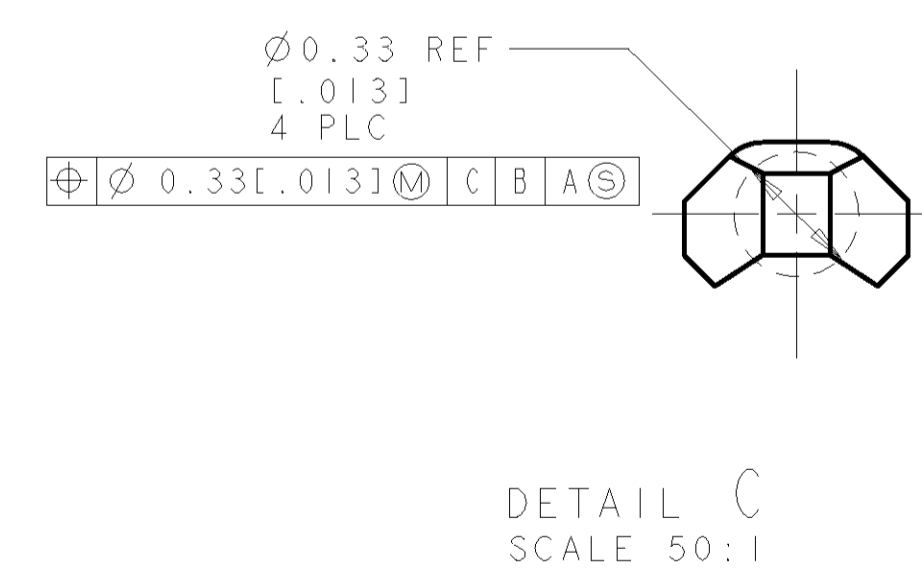
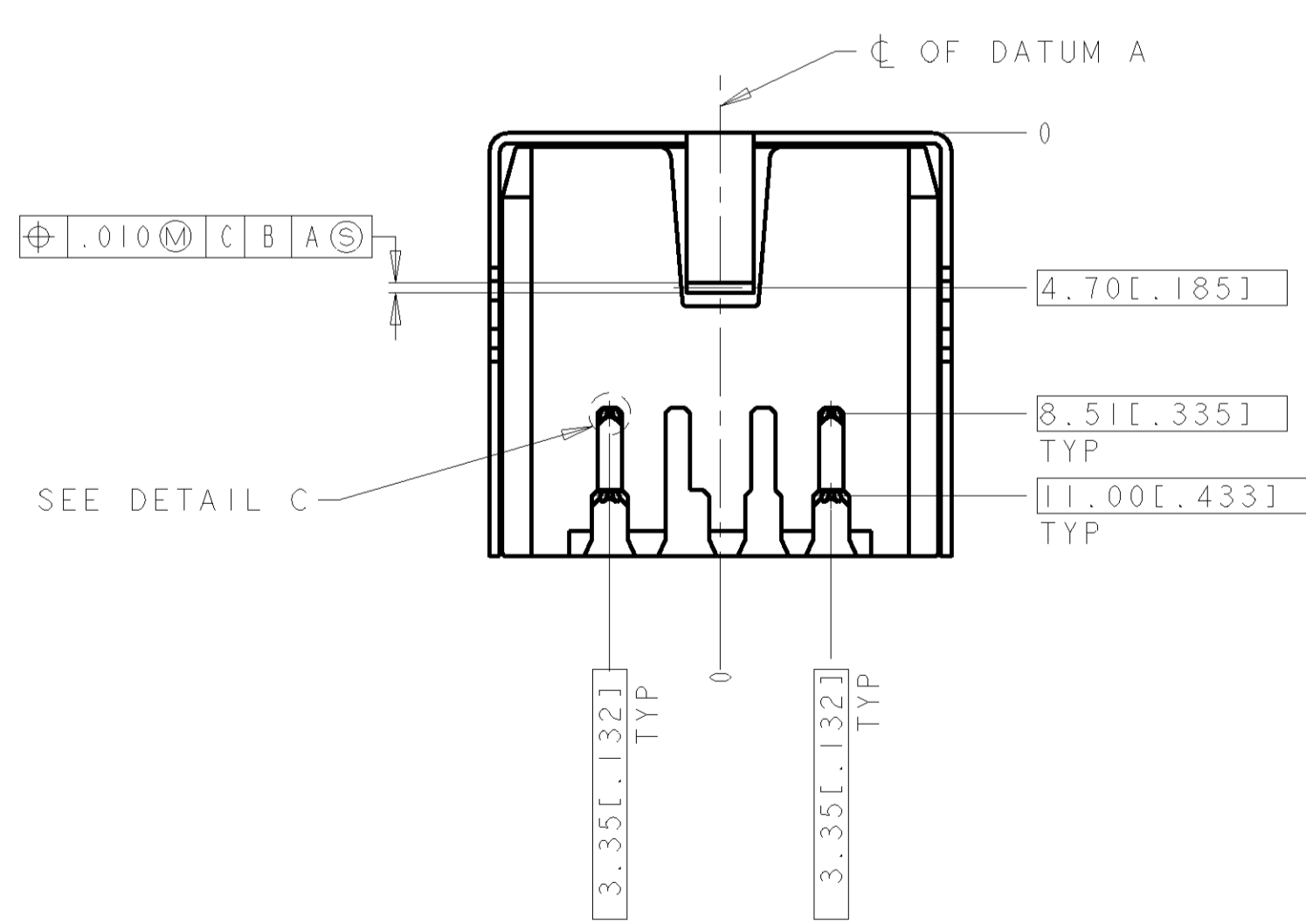
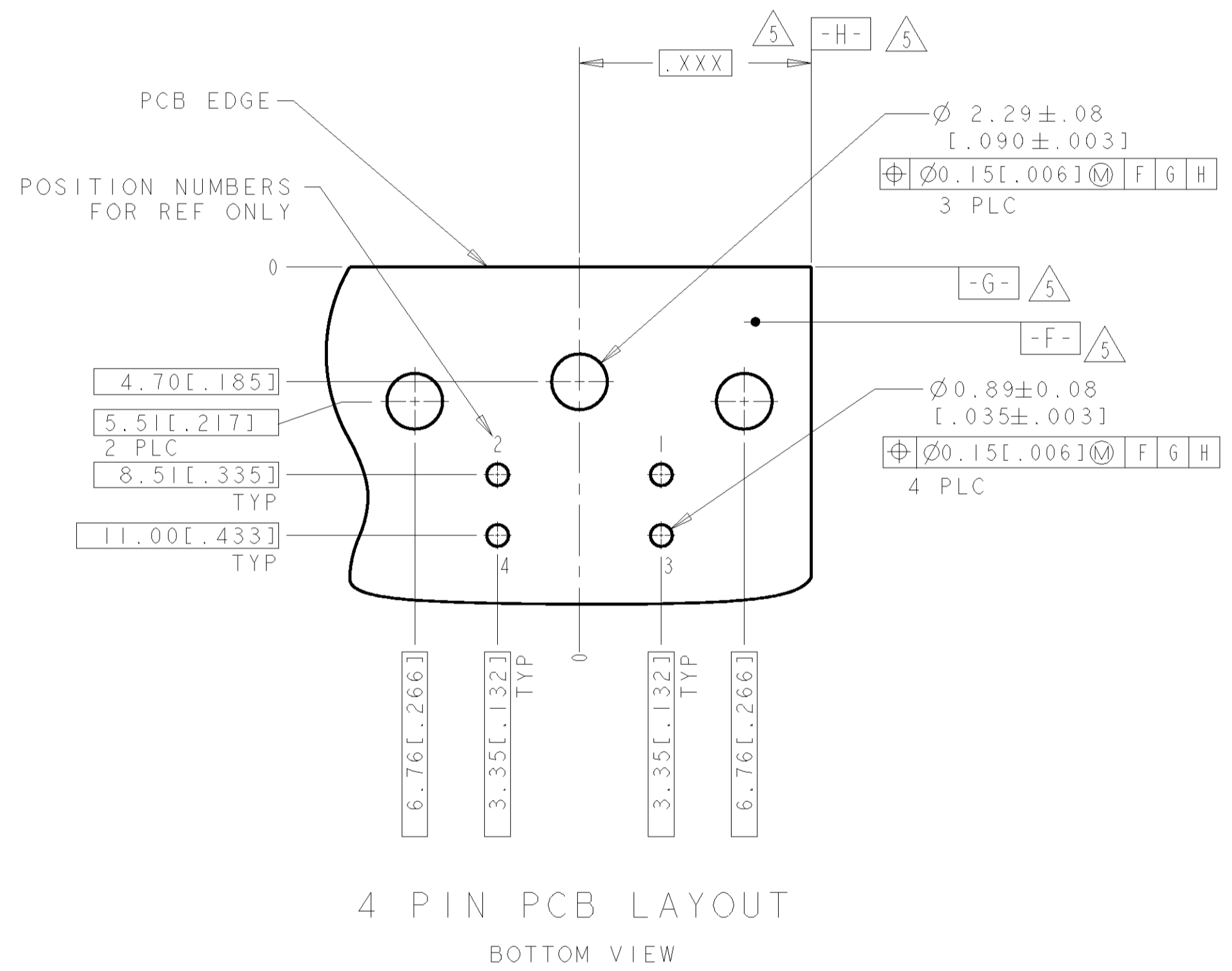
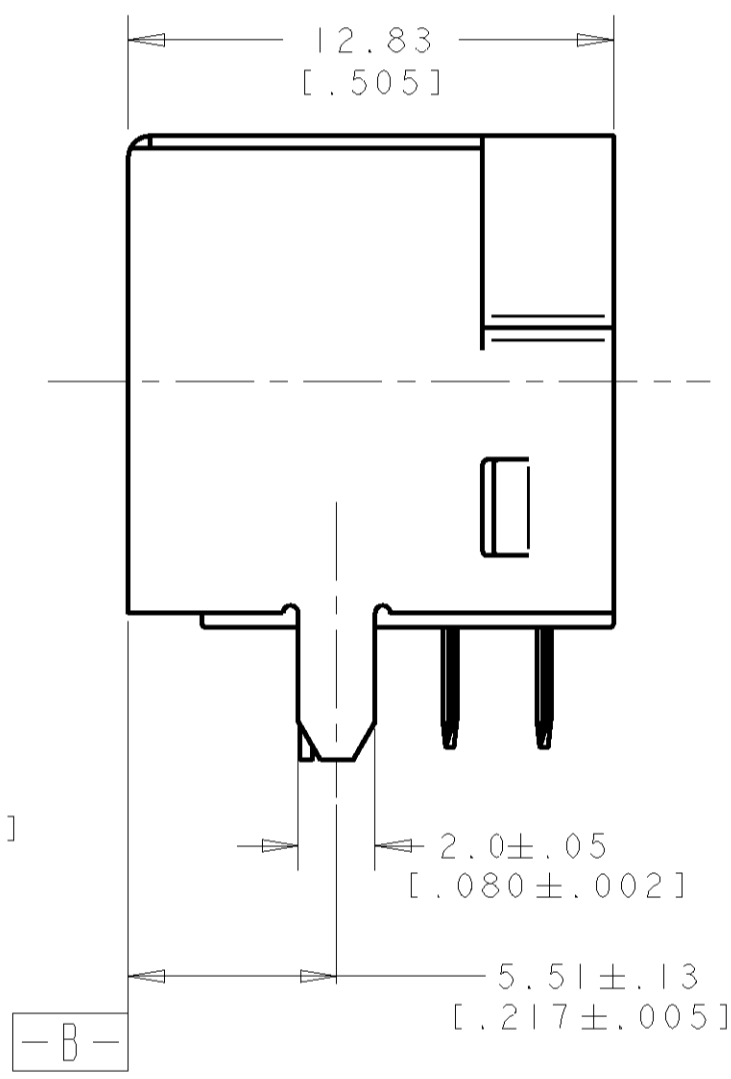
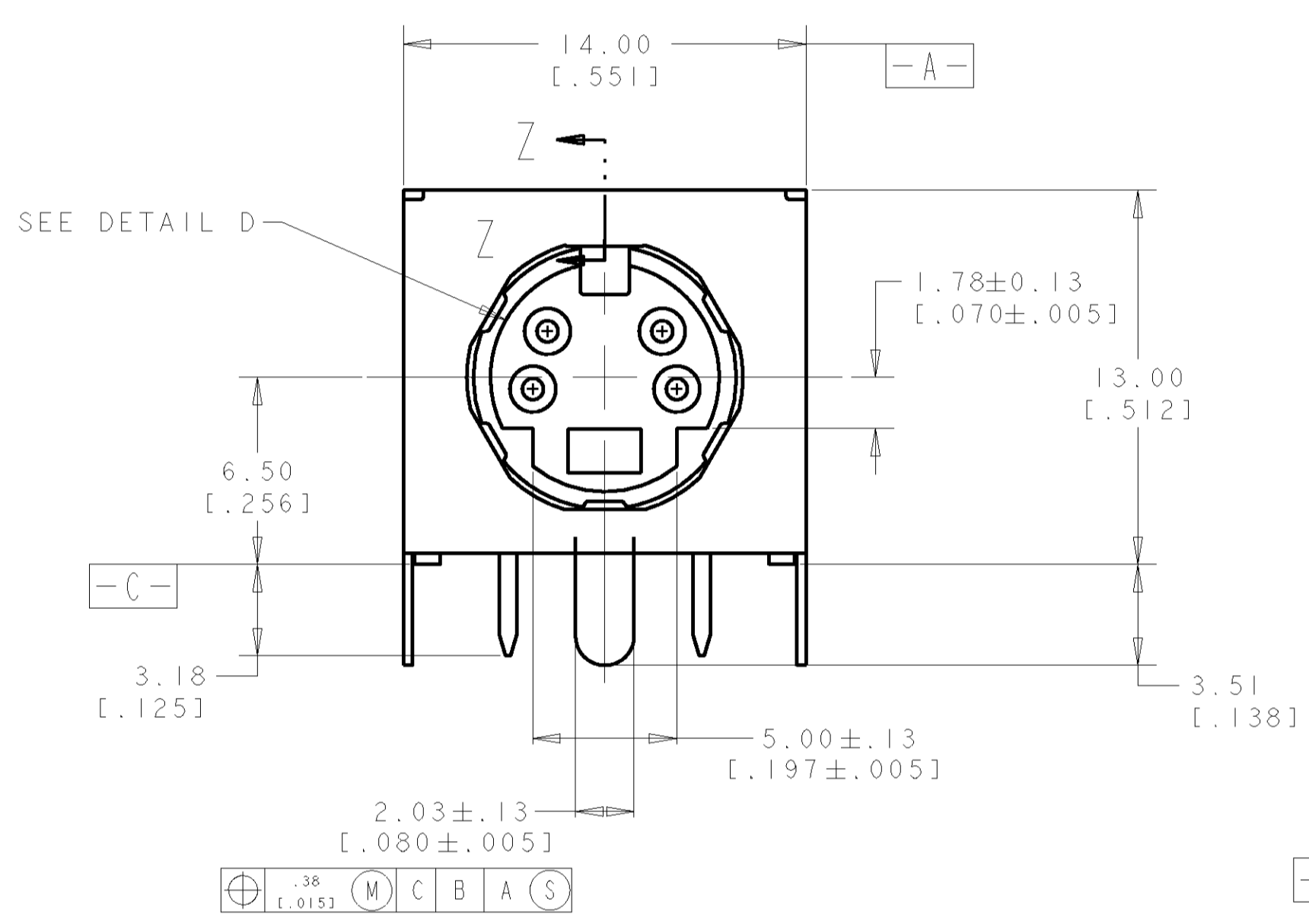


LOC	DIST	REVISIONS			
F	LTR	DESCRIPTION	DATE	DNM	APRD
P		REVISED PER ECO-11-005139	19MAR11	RK	HMR



- 1 RECEPTACLE CONTACTS: COPPER ALLOY.
RECEPTACLE SHIELD: COPPER ALLOY.
HOUSING: THERMOPLASTIC, BLACK, 94V-0 RATED.
- 2 PLATING:
RECEPTACLE CONTACTS - GOLD FLASH PLATED ON MATING END, MATTE-TIN PLATED .0030 MIN [.000120 MIN] THICK ON SOLDER TAIL ALL OVER
.0013 MIN [.000050 MIN] THICK NICKEL.
- 3 PLATING:
SHIELD: PRE-TIN PLATED
- 4 RECEPTACLE ASSEMBLY MATES WITH 4 PIN 9.00±.10 [.354±.004] DIAMETER PLUG.
- 5 DATUMS AND BASIC DIMENSION SUPPLIED BY CUSTOMER.



P/N: 5749263-1 AS SHOWN

DIMENSIONS: mm [INCHES]		TOLERANCES UNLESS OTHERWISE SPECIFIED:		DWN WYLLIE 03JAN2005		TE Connectivity	
0 PLC	±	1 PLC	±	NAME	RECEPTACLE ASSY, 4 POS, RIGHT ANGLE, MINIATURE CIRCULAR DIN		
2 PLC	±	3 PLC	±	PRODUCT SPEC	108-1225		
4 PLC	±0.381 [0.015]	5 PLC	±	APPLICATION SPEC	-		
6 PLC	±	7 PLC	±	SIZE	CAGE CODE	DRAWING NO	REV
8 PLC	±	9 PLC	±	WEIGHT	A1	00779	C=5749263
10 PLC	±	11 PLC	±	FINISH	CUSTOMER DRAWING		
12 PLC	±	13 PLC	±	SCALE	5:1	SHEET	1 OF 1

Mouser Electronics

Authorized Distributor

Click to View Pricing, Inventory, Delivery & Lifecycle Information:

[TE Connectivity:](#)

[5749263-1](#)