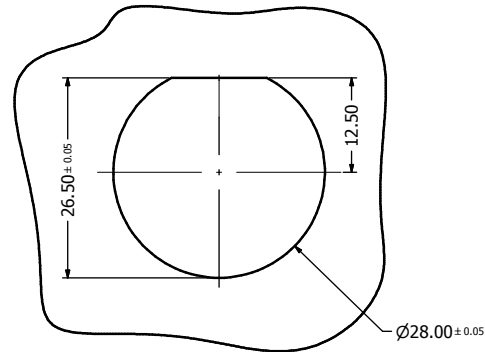


USB 2.0 Type A
Female/Female
Adaptor

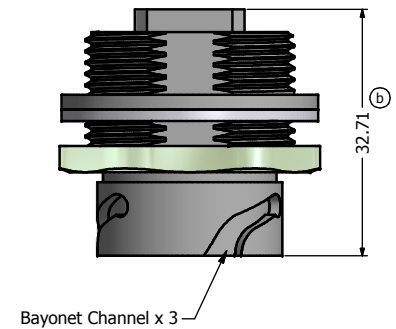
Receptacle Housing
Plastic in different colors
Bayonet Locking Type

Panel Gasket

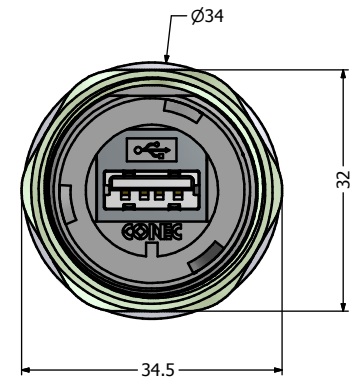
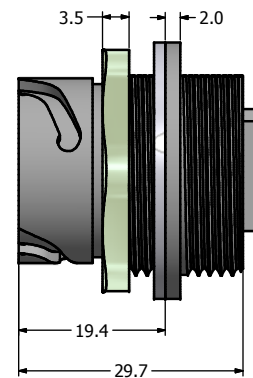
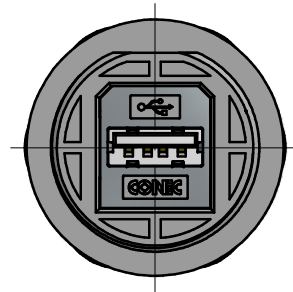
Panel Nut
(M28 x 1.5)



Recommended Panel Cutout



Bayonet Channel x 3



Notes:

- Electrical Specifications:
 - Meets USB 2.0 Specification
 - Contact Resistance: 30 mOhm max.
 - Insulation Resistance: 1000 MOhm min. @ 100 VDC
 - Current Rating: 1.5 A max. at 25° C
 - Working Voltage: 30 V (RMS) max.
 - DWV: 500 VAC/60s at sea level
 - Operating Temperature: -40° C to +85° C

2. Material and Finish:

- Receptacle Housing: Polyester, UL94 V-0, Color: see P/N Table
- Panel Nut: Brass, Finish: Nickel Plated
- Panel Gasket: Silicon, Color: White
- USB Adaptor Insulator: PBT, UL94 V-0, Black
- USB Adaptor Metal Shell: Copper Alloy, Nickel Plated
- USB Adaptor Overmold material: PBT UL94 V-0, Color: Black
- USB Contacts: Copper Alloy, Finish: 30 u" Gold min. over Nickel

3. Connector can be front or rear mounted to a maximum panel thickness of 3.2 mm.

4. IP67 rated when covered or fully mated with the appropriated mating connector

Pin-Assignment

Type A F	Type A F	Type A F
Pin1 -----	Pin1	Pin1
Pin2 -----	Pin2	Pin2
Pin3 -----	Pin3	Pin3
Pin4 -----	Pin4	Pin4
Shell -----	Shell	Shell

Directive 2002/95/EC RoHS Compliant

Description	Colored Plastic Receptacle Housing with USB 2.0 Type A F/F Adaptor					
Plastic Receptacle Housing Color	Black	Blue	Green	Yellow	Red	White
Part Number	17-200001	17-200901	17-200911	17-200921	17-200931	17-200941

THIS DRAWING MAY NOT BE COPIED OR REPRODUCED IN ANY WAY AND MAY NOT BE PASSED ON TO A THIRD PARTY WITHOUT WRITTEN PERMISSION. OWNERSHIP AND COPYRIGHT OF CONEC CORPORATION.	Customer:		Tolerance Unless otherwise specified			Scale:		Dim. in mm		
	Name	Title	Approval Date	0 PLC ±0.50 1 PLC ±0.38 2 PLC ±0.25 3 PLC ±0.10 ANGLES ±3°		Autodesk Inventor		Material: See Notes		
	2011	Date	Name	Draw.	Nov. 03	Vincent Ke	Title: IP67 USB Receptacle Assembly Kit with USB 2.0 Type A F/ F Adaptor			
	Appd.	Nov. 03	J. Chaudry	Norm						
b	1 x b	May/15/2013	Vincent ke			Drawing No.: 17K1A301		DIN A3		
a	original					Part No.: SEE PART NUMBER TABLE		Sheet 1/1		
Rev.	Changes	Date	Name							

Mouser Electronics

Authorized Distributor

Click to View Pricing, Inventory, Delivery & Lifecycle Information:

[CONEC:](#)

[17-200001](#)