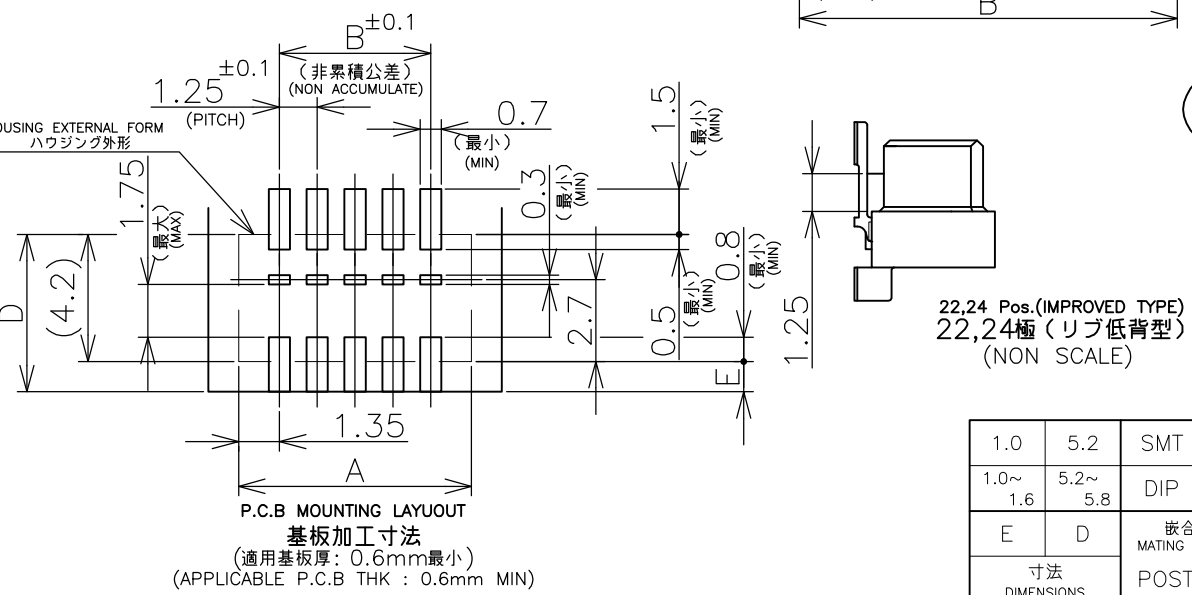
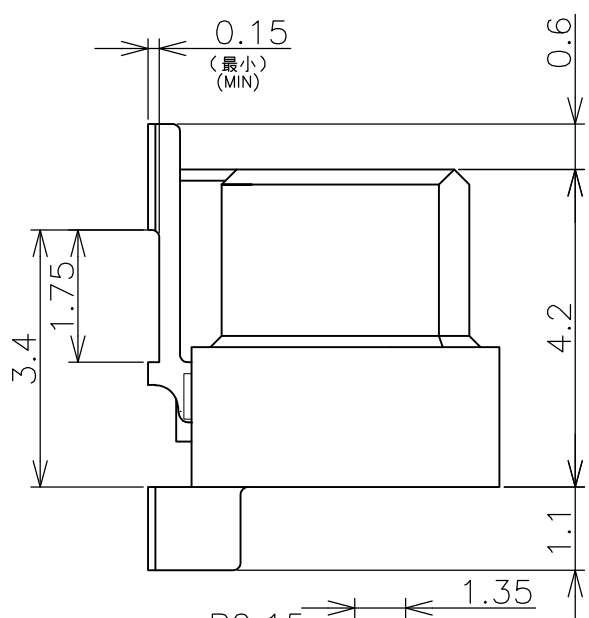
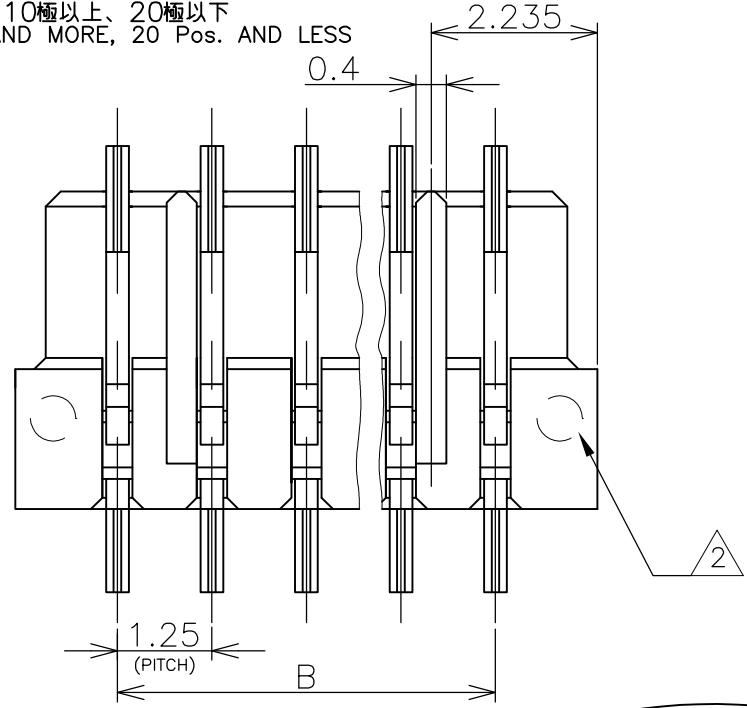
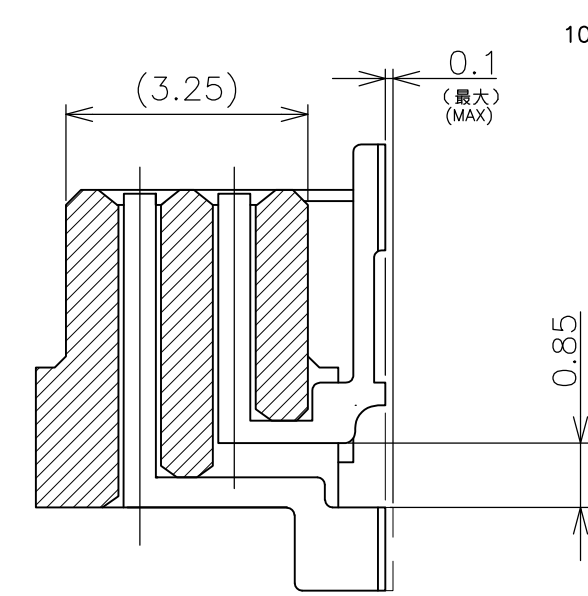
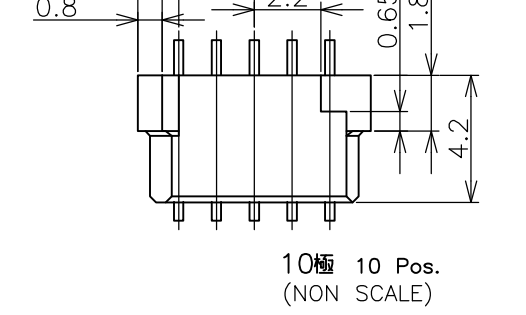
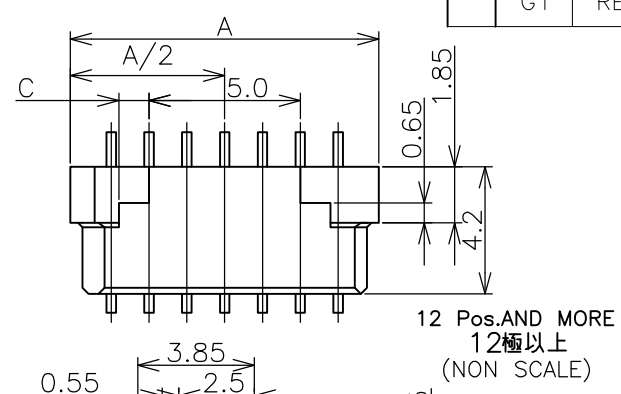
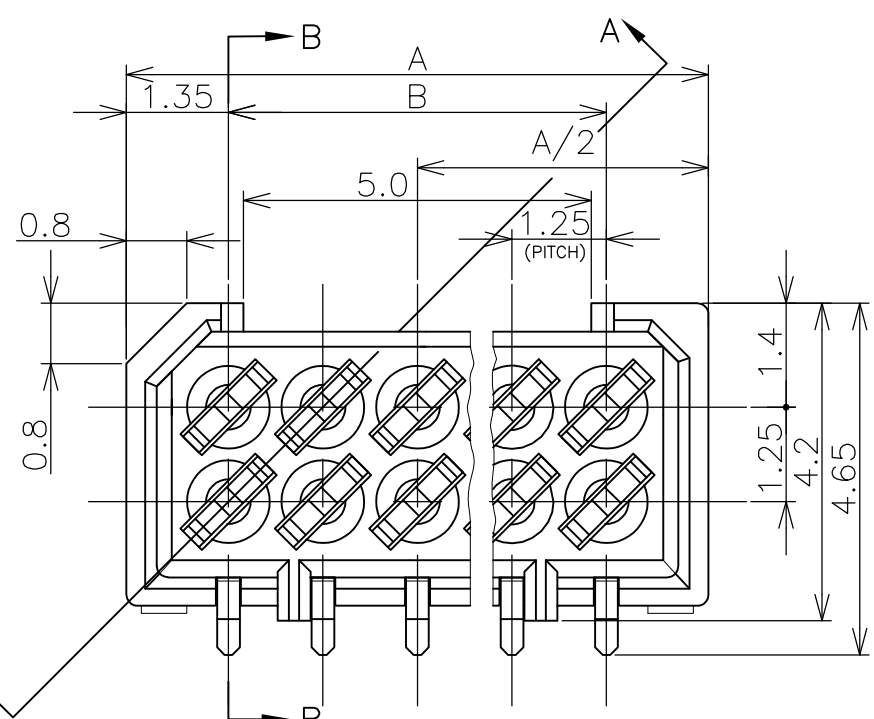
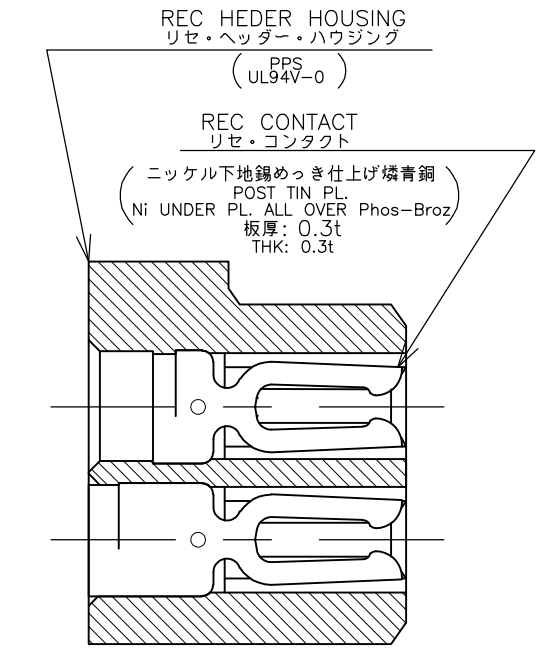


THIS DRAWING IS UNPUBLISHED. RELEASED FOR PUBLICATION
 © COPYRIGHT By - ALL RIGHTS RESERVED.

LOC		DIST		REVISIONS		
J				変更		
P	LTR	DESCRIPTION		DATE	DWN	APVD
	G1	REVISED	ECR-15-002174	13FEB2015	I.T	W.H



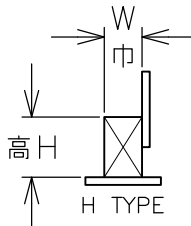
鉛フリー LEAD FREE

嵌合時寸法: 巾(mm)x高さ(mm)
DIMENSIONS AFTER MATING: WIDE(mm) x HEIGHT(mm)

MATING COUNTER CONN 嵌合相手側コネクタ POST HDR ASSY		REC HDR ASSY SMT H TYPE WITHOUT BOSS X-174905-X	
製品型番	P/N	高さ H	
X-174643-X		3.95	4.65 (巾W) x 6.9 (高さH)
X-176895-X		5.95	4.65 (巾W) x 8.9 (高さH)
X-176320-X		8.85	4.65 (巾W) x 11.9 (高さH)
X-176871-X		9.85	4.65 (巾W) x 12.9 (高さH)
ボス無 WITHOUT BOSS X-174645-X	X-176769-X	3.95	5.6 (巾W) x 6.9 (高さH)
ボス付 WITH BOSS X-174821-X	X-176140-X	5.45	5.6 (巾W) x 8.4 (高さH)
ボス無 WITHOUT BOSS X-174645-X	X-174821-X	5.95	5.6 (巾W) x 8.9 (高さH)
ボス付 WITH BOSS X-178041-X	X-176757-X	6.85	5.6 (巾W) x 9.9 (高さH)
ボス無 WITHOUT BOSS X-176769-X	X-176140-X	8.85	7.0 (巾W) x 11.9 (高さH)
ボス付 WITH BOSS X-178040-X	X-178041-X	9.35	7.0 (巾W) x 12.4 (高さH)
ボス付 WITH BOSS X-176756-X	X-176757-X		

TABLE 1 SMT TYPEは、巾及び高さ寸法に半田付ライン部寸法を含みます。SMT TYPE INCLUDE DIMENSIONS OF SOLDER DIP TINE.

- 嵌合相手製品型番及び、嵌合時寸法は MATING COUNTER PART NUMBER AND DIMENSIONS 表-1 参照のこと。 AFTER MATING: SEE TABLE 1.
- 基板位置決め用ボス切断跡。 CUT MARK OF MOUNTING BOSS.



		13.75	16.45	24	5-	-4
		12.50	15.20	22	5-	-2
		11.25	13.95	20	5-	-0
	2.0	10.00	12.70	18	4-	-8
	1.5	8.75	11.45	16	4-	-6
	1.0	7.50	10.20	14	4-	-4
	0.8	6.25	8.95	12	4-	-2
	H	5.00	7.70	10	4-	-0
黒色 BLACK	H	2.50	5.20	6	3-174905-6	
色別 COLOR	C	B	A	極数 Pos.	型番 P/N	

Ⓞ OBSOLETE

THIS DRAWING IS A CONTROLLED DOCUMENT.

DIMENSIONS: 単位: 耗 mm	TOLERANCES UNLESS OTHERWISE SPECIFIED: 一般公差
0 PLC ±	10mm下: ±0.2
1 PLC ±	10mm上: ±0.25
2 PLC ±	30mm上: ±0.3
3 PLC ±	30mm上: ±0.3
4 PLC ±	角度: ±3'
ANGLES ±	
MATERIAL 材料 AS SHOWN 図中参照	FINISH 仕上 AS SHOWN 図中参照

DWN J.TANIGAWA 31MAY88	NAME 名称
CHK S.KIKUCHI 31MAY88	SIZE A3
APVD N.ONOUE 31MAY88	CAGE CODE 00779
PRODUCT SPEC 製品規格	DRAWING NO C-174905
APPLICATION SPEC 取付適用規格	RESTRICTED TO
WEIGHT	SCALE 尺度 10:1
CUSTOMER DRAWING	SHEET 1 OF 1
	REV G1



1.25 F-P CONNECTOR (B-TO-B)
DOUBLE ROW REC HDR ASSY (H)
SMT TYPE WITHOUT BOSS

Mouser Electronics

Authorized Distributor

Click to View Pricing, Inventory, Delivery & Lifecycle Information:

[TE Connectivity:](#)

[4-174905-6](#)