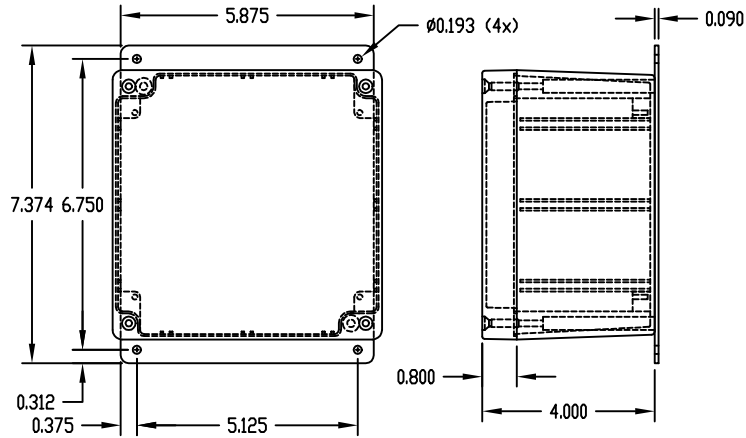


PART NAME NEMA 4X DIE CAST ALUMINUM ENCLOSURE

PART No. AN-1310, AN-1310-G, AN-2810 & AN-2810-B

REV. DATE 12-17-08

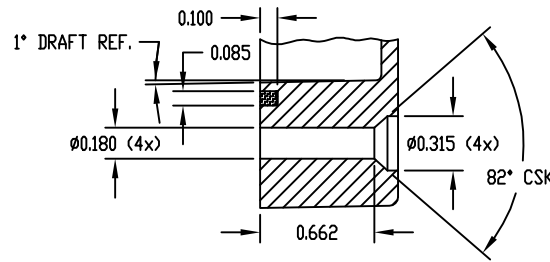


MATERIAL: ALUMINUM ALLOY #ADC-12

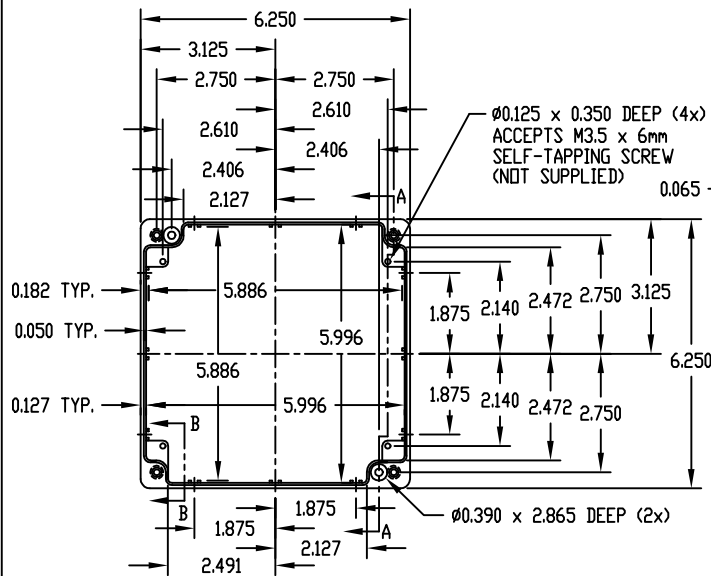
FINISH: NATURAL (NO SUFFIX)  
GRAY (SUFFIX -G)  
SMOOTH BLACK (SUFFIX -B)

NOTES:

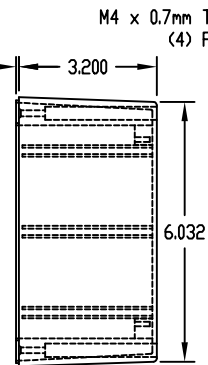
- 1) FOUR (4) M4 x 32mm (1.260") LG. SCREWS SUPPLIED FOR ASSEMBLY OF COVER TO BODY.
- 2) ALL HOLE DIAMETERS HAVE ±0.005 TOLERANCE ALL OTHER DIMENSIONS HAVE ±0.015 TOLERANCE



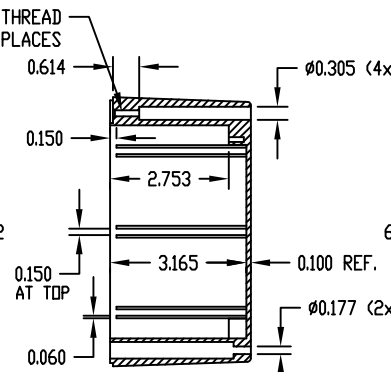
DETAIL 'D'



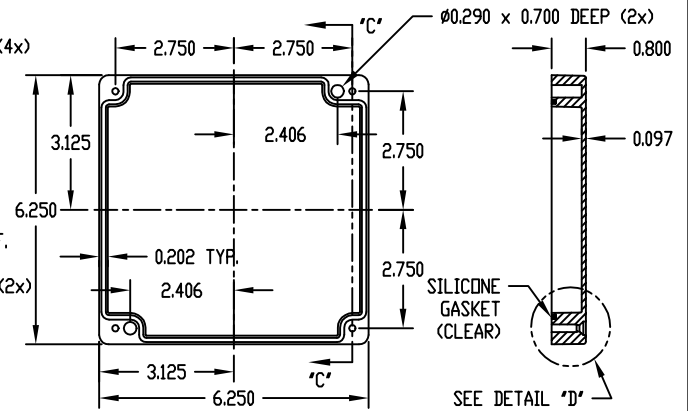
BODY



SECTION 'B-B'

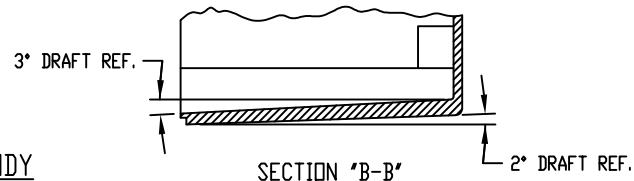


SECTION 'A-A'



COVER

SECTION 'C-C'



PART NO. AN-2810 & AN-2810-B ARE SUPPLIED WITH A WELDED ON MOUNTING BRACKET ONLY.

# Mouser Electronics

Authorized Distributor

Click to View Pricing, Inventory, Delivery & Lifecycle Information:

[Bud Industries:](#)

[AN-1310-G](#) [AN-1310](#) [AN-2810](#) [AN-2810-B](#)