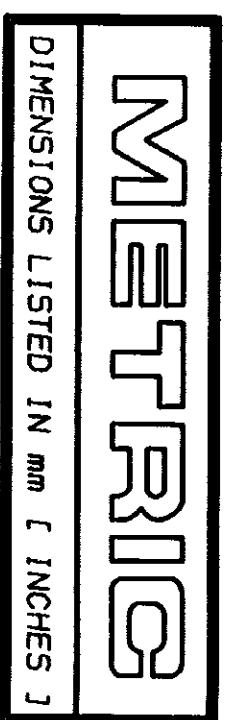


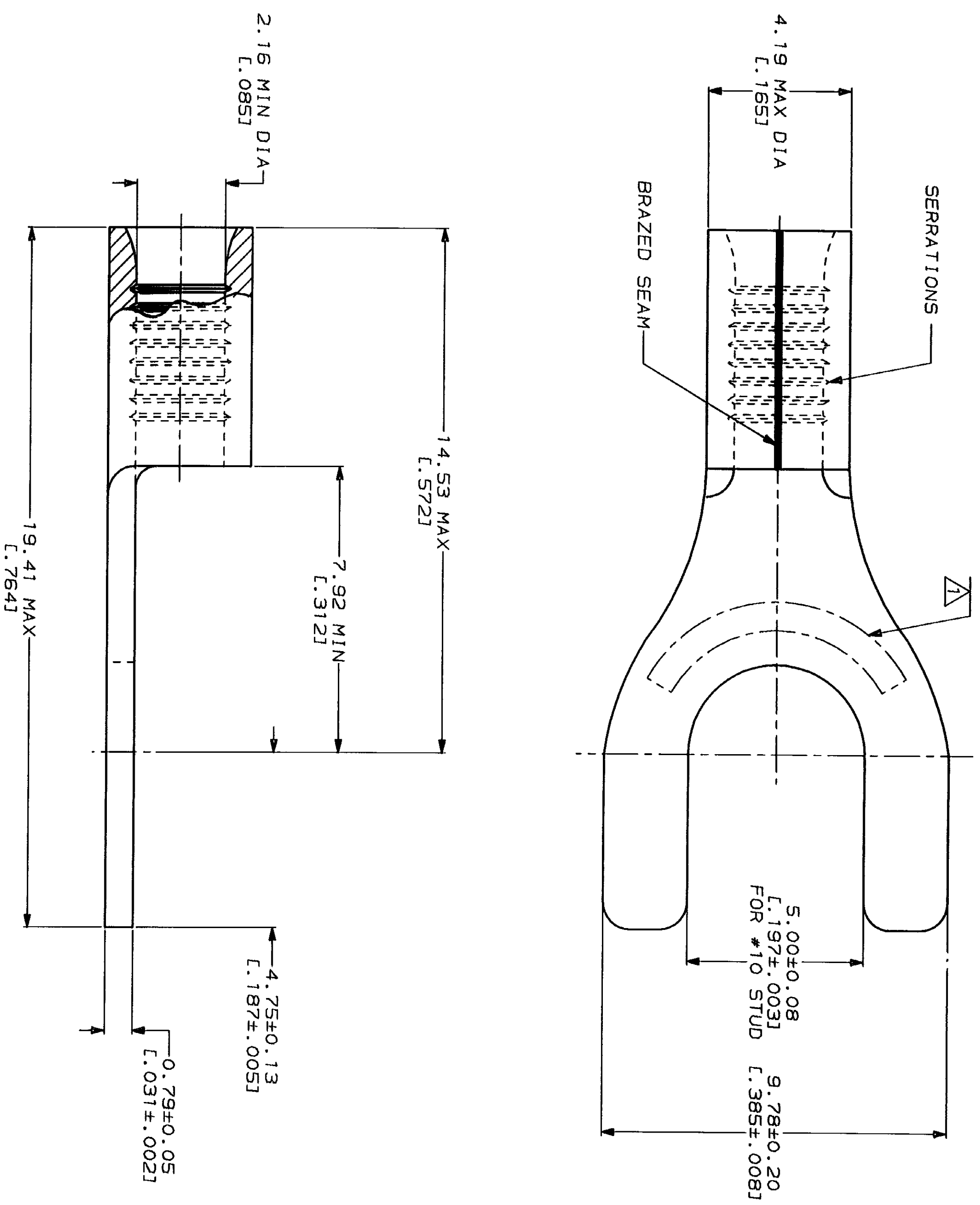
LOC	DIST	REV	DATE	APPD
G	14	P		

REV	DESCRIPTION	DATE	APPD
C	REV, RDRW, & SM PKG PER 0720-0040-93	3-25-93	18 DAP



<b>AMP</b> WIRE RANGE	<b>UL</b> E13288 Listed
16-14 AWG SOLID OR STRANDED	16-14 AWG SOLID OR STRANDED
<b>LR7189</b> Certified	MILITARY P/N AND CLASS
16-14 AWG SOLID OR STRANDED	NOT APPLICABLE

△ STAMP AMP 16-14\* APPROX AS SHOWN



**AMP INCORPORATED**  
**CUSTOMER SERVICE SYSTEMS**

FOR ADDITIONAL  
 PRODUCT INFORMATION OR  
 COPIES OF DRAWINGS  
 AND TECHNICAL DOCUMENTS

FOR APPLICATION  
 TOOLING INFORMATION  
 FOR ORDER ENTRY

MAX RECOMMENDED OPERATING  
 TEMPERATURE: 170°C MAX

VOLTAGE RATING:  
 NOT APPLICABLE

WIRE CROSS SECTIONAL AREA RANGE:  
 1.04-2.62mm<sup>2</sup> [2,050-5,180] CIR MILS  
 SOLID OR STRANDED

PRODUCT INFORMATION CENTER  
 1-800-522-6752

TOOLING ASSISTANCE CENTER  
 1-800-722-1111

1-800-526-5142

DO NOT SCALE PRINT.  
 UNLESS SPECIFIED  
 DIMENSIONS IN MILLIMETERS  
 TOLERANCES ON:  
 2 PLC DEC ±  
 3 PLC DEC ±  
 ANGLES

MATERIAL  
 COPPER PER  
 ASTM B-152  
 ANNEALED

FINISH  
 TIN PLATE  
 0.00254 [L.000100] MIN  
 THK PER MIL-T-10727

DR 3-25-93 TA BRINKMAN	APPD 3-26-93 DE MILLER
CHK 3-25-93 DA PATTERSON	APPD 3-26-93 JL MECKLEY
	PRODUCT SPEC
	APPLICATION SPEC
	WEIGHT

QUANTITY	PACKAGE TYPE	PART NO
50	LOOSE PIECE, BAG	8-33219-5
100	LOOSE PIECE, BOX	8-33219-1
---	LOOSE PIECE	33219

**AMP**  
 AMP Incorporated  
 Harrisburg, PA 17105-3608

TERMINAL, SPADE  
 TONGUE, SOLID STRAND™

SIZE	CAGE CODE	DRAWING NO
SCALE 10:1	00779	33219
		SHEET 1 OF 1

CUSTOMER DRAWING

# Mouser Electronics

Authorized Distributor

Click to View Pricing, Inventory, Delivery & Lifecycle Information:

[TE Connectivity:](#)

[33219](#)