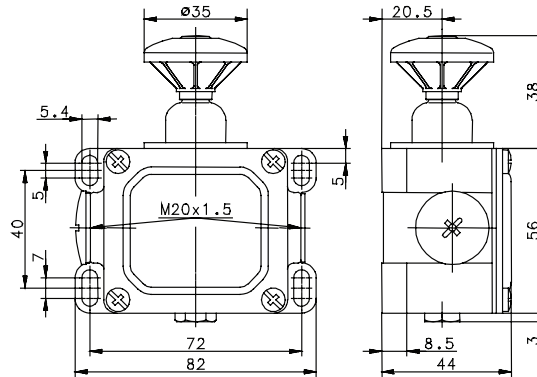
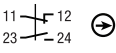
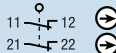
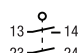


## D Series

### PW



Switching Operation	Slow Action	Snap Action
<b>1 NC / 1 NO Contacts</b>	<b>604.1113.006</b> D-U1 PW 	- -
<b>2 NC Contacts</b>	<b>604.1813.835</b> D-A2Z PW 	- -
<b>2 NO Contacts</b>	<b>604.1813.050</b> D-E2 PW 	- -
<b>1 NC / 1 NO Contacts Overlapping</b>	- -	- -

#### Replacement actuator:

#### Technical Information

	Slow Action	Snap Action
Maximum Switching Voltage	240V	240V
Max. Switching Amps (up to)*	10A	10A
B10d (up to)*	20 Million	20 Million
Mechanical Service Life (up to)*	10 x 10 <sup>6</sup>	10 x 10 <sup>6</sup>
Switching Frequency	≤ 100/min	≤ 100/min
Operating Temperature	-30 °C to +80 °C	-30 °C to +80 °C
Protection Rating	IP65	IP65
Utilization Category (up to)*	AC-15, Ue/Ue 240V 3A	AC-15, Ue/Ue 240V 3A
Rate Insulation Voltage	400VAC	400VAC

Approvals

\* Depending on switching system - see technical information for details



#### Special features/variants (on request)

- Also available with following contacts:  
3 NC contacts (larger enclosure)  
3 NO contacts (larger enclosure)  
2 NC / 2 NO contact (larger enclosure)

Drawing dimensions in mm

# Mouser Electronics

Authorized Distributor

Click to View Pricing, Inventory, Delivery & Lifecycle Information:

[Altech:](#)

[604.1813.835](#) [604.1113.006](#)