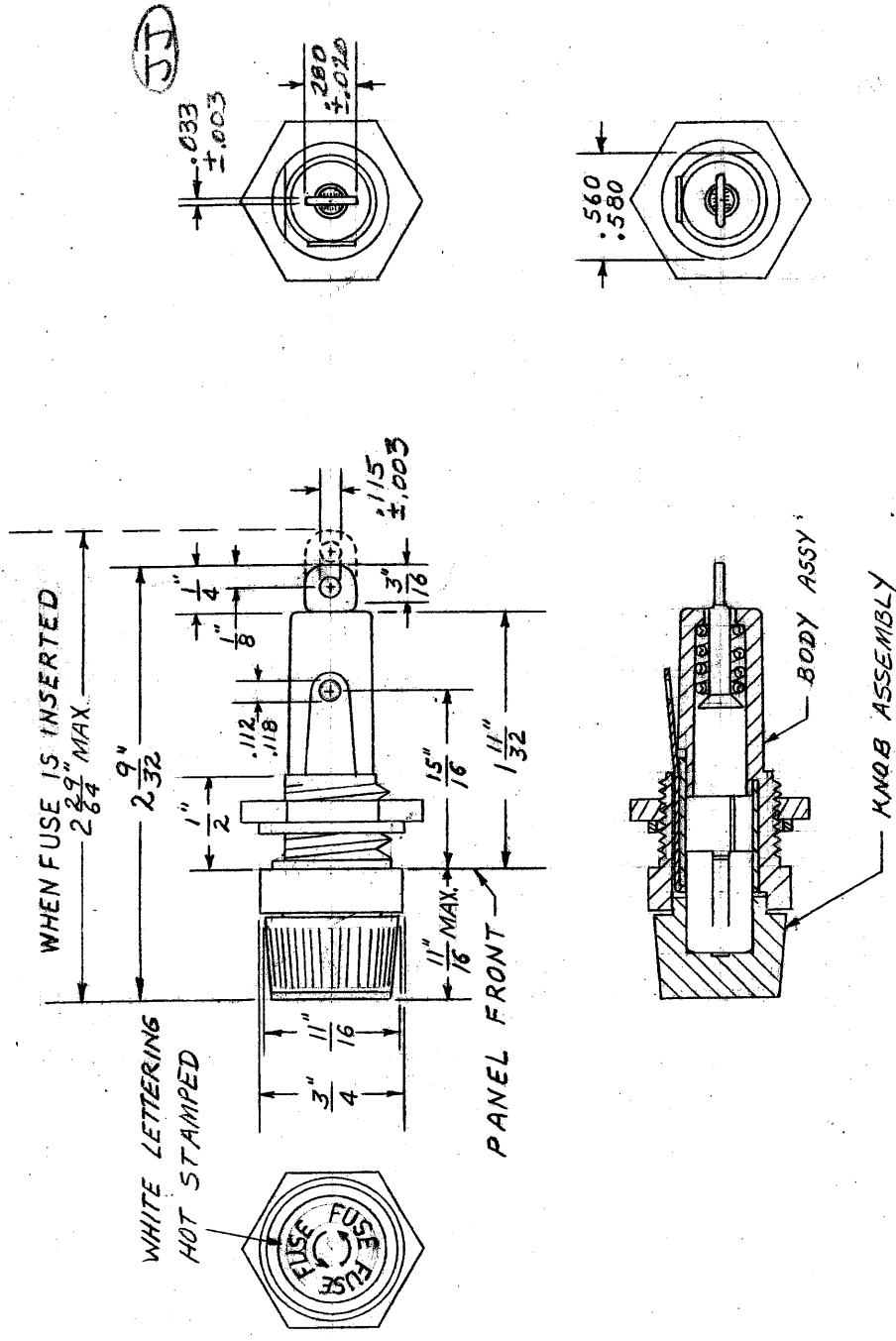


CONFIDENTIAL: THIS DRAWING OR MATERIAL IS SUBMITTED TO YOU WITH THE CONFIDENCE THAT IT WILL BE USED ONLY FOR YOUR INFORMATION ON APPLICATION ENGINEERING STUDIES AND SHALL NEVER BE USED IN ANY MANNER DETRIMENTAL TO OUR INTEREST.

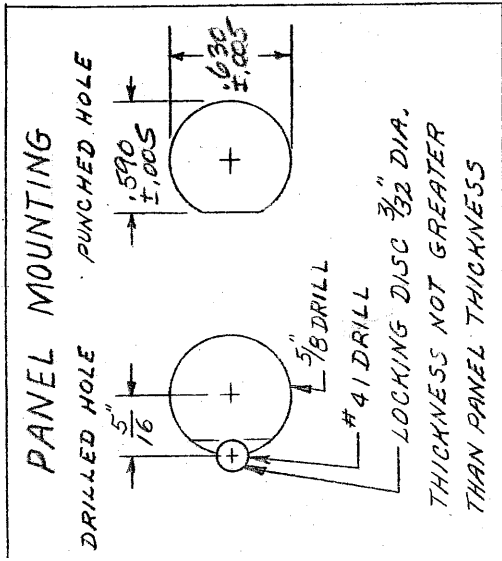
DATE 8-9-00		NO. HCM	
TITLE FUSEHOLDER			
SUP. NO. HCM		DATED 1-8-97	
DWG. JM	CK. [Signature]	CHANGE LP	
ENG. [Signature]	MFG.	N00122	
Bussmann Division Cooper Industries St. Louis, MO 63178			
DISTRIBUTION			56 1



DESIGNED FOR 1/4" LONG,
1/4" AND 9/32" DIA. FUSES
KNOB WILL RETAIN 9/32" DIA. FU
FUSEHOLDER DESIGNED TO
WITHSTAND STAND OFF
VOLTAGE OF 2250 VOLTS
60 CYCLES PER SECOND
AT SEA LEVEL

PAGE 1

CAP - ALBALOY PLATED.
END TERMINAL - TIN PLATED.
NUT - ZINC PLATED
SOCKET - TIN PLATED.
SPRING - NO PLATING
SIDE TERMINAL, BRIGHT
TIN PLATED.



+ 1/64" TOLERANCE ON ALL DIMENSIONS
NOT OTHERWISE MARKED

FURNISH IN BULK
WASHER #9350
HEX NUT #9351
BODY MARKING
BUSS
HCM
18A
250V

II

Mouser Electronics

Authorized Distributor

Click to View Pricing, Inventory, Delivery & Lifecycle Information:

[Eaton:](#)

[HCM](#) [HCM-D](#)