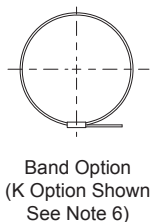
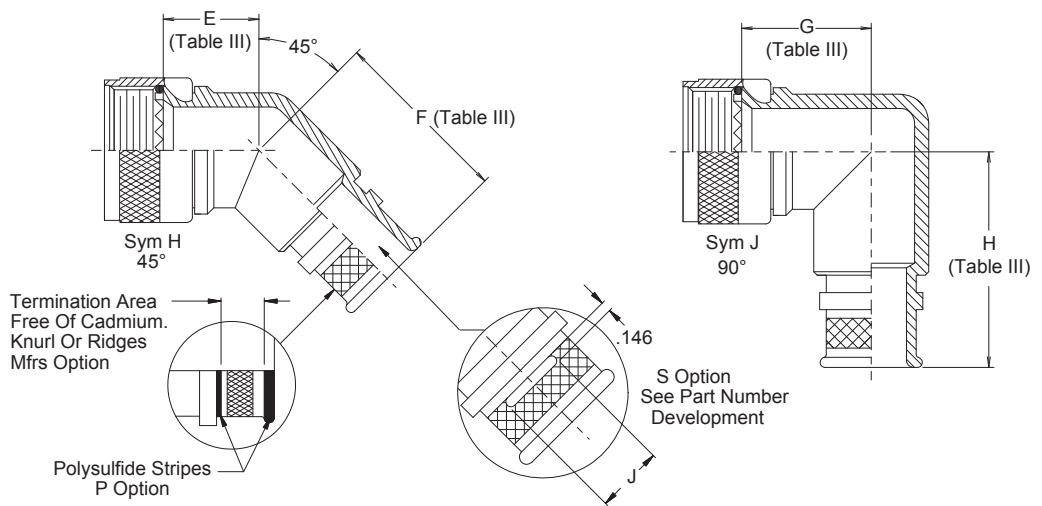
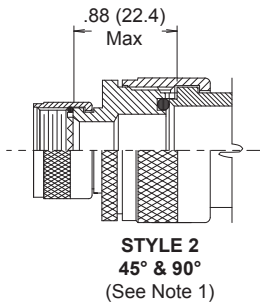
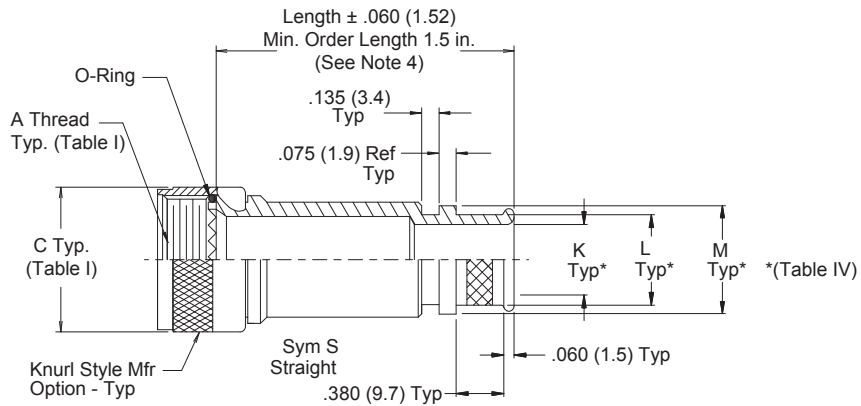
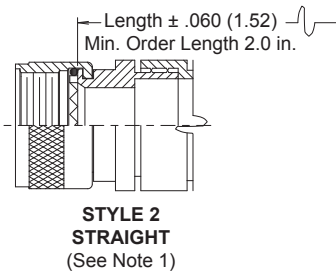
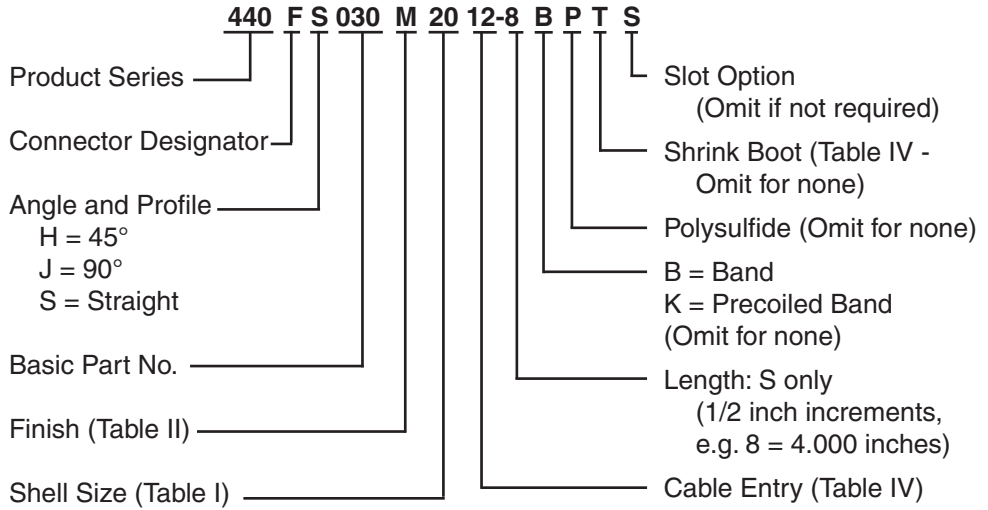


**CONNECTOR
DESIGNATORS**

**A-F-H-L
ROTATABLE
COUPLING**



440-030
EMI/RFI Banding and Shrink Boot Adapter
Rotatable Coupling - Standard Profile



See inside back cover fold-out or pages 13 and 14 for Tables I and II.

TABLE III: ELBOW DIMENSIONS

| Shell Size | | E *** Max | F Max | G *** Max | H *** Max |
|-----------------------|----|--------------|--------------|--------------|--------------|
| Conn. Desig. A-F-L | H | | | | |
| 08 | 09 | .531 (13.5) | .940 (23.9) | .639 (16.2) | 1.110 (28.2) |
| 10 | 11 | .594 (15.1) | 1.000 (25.4) | .664 (16.9) | 1.140 (29.0) |
| 12 | 13 | .618 (15.7) | 1.050 (26.7) | .688 (17.5) | 1.160 (29.5) |
| 14 | 15 | .656 (16.7) | 1.090 (27.7) | .705 (17.9) | 1.190 (30.2) |
| 16 | 17 | .688 (17.5) | 1.150 (29.2) | .732 (18.6) | 1.210 (30.7) |
| 18 | 19 | .748 (19.0) | 1.190 (30.2) | .803 (20.4) | 1.221 (31.0) |
| 20 | 21 | .773 (19.6) | 1.250 (31.8) | 1.031 (26.2) | 1.281 (32.5) |
| 22 | 23 | .800 (20.3) | 1.320 (33.5) | 1.156 (29.4) | 1.351 (34.3) |
| 24 | 25 | .823 (20.9) | 1.380 (35.1) | 1.219 (31.0) | 1.410 (35.8) |
| 28 | | 1.041 (26.4) | 1.500 (38.1) | 1.281 (32.5) | 1.531 (38.9) |
| 32 | | 1.092 (27.7) | 1.620 (41.1) | 1.593 (40.5) | 1.651 (41.9) |
| 36 | | 1.136 (28.9) | 1.750 (44.5) | 1.718 (43.6) | 1.781 (45.2) |

*** These maximum dimensions are increased by .187 (4.7) when parts are fabricated from stainless steel, and connector designator is "S".

TABLE IV: CABLE ENTRY

| Dash No. | J | K | L | M | Shrink Boot |
|----------|--------------|--------------|--------------|--------------|-------------|
| 01 | .125 (3.2) | .125 (3.2) | .250 (6.4) | .312 (7.9) | 770-003S111 |
| 31 | .170 (4.3) | .188 (4.8) | .312 (7.9) | .374 (9.5) | 770-003S111 |
| 02 | .170 (4.3) | .250 (6.4) | .375 (9.5) | .437 (11.1) | 770-003S112 |
| 32 | .170 (4.3) | .312 (7.9) | .438 (11.1) | .500 (12.7) | 770-003S112 |
| 03 | .250 (6.4) | .375 (9.5) | .500 (12.7) | .562 (14.3) | 770-003S112 |
| 33 | .250 (6.4) | .438 (11.1) | .562 (14.3) | .624 (15.8) | 770-001S104 |
| 04 | .250 (6.4) | .500 (12.7) | .625 (15.9) | .687 (17.4) | 770-001S104 |
| 34 | .250 (6.4) | .562 (14.3) | .688 (17.5) | .750 (19.1) | 770-001S104 |
| 05 | .500 (12.7) | .625 (15.9) | .750 (19.1) | .812 (20.6) | 770-001S104 |
| 35 | .500 (12.7) | .688 (17.5) | .812 (20.6) | .874 (22.2) | 770-001S104 |
| 06 | .500 (12.7) | .750 (19.1) | .875 (22.2) | .937 (23.8) | 770-001S105 |
| 36 | .500 (12.7) | .812 (20.6) | .938 (23.8) | 1.000 (25.4) | 770-001S105 |
| 07 | .500 (12.7) | .875 (22.2) | 1.000 (25.4) | 1.062 (27.0) | 770-001S105 |
| 37 | .500 (12.7) | .938 (23.8) | 1.062 (27.0) | 1.124 (28.5) | 770-001S105 |
| 08 | .500 (12.7) | 1.000 (25.4) | 1.125 (28.6) | 1.187 (30.1) | 770-001S106 |
| 38 | .500 (12.7) | 1.062 (27.0) | 1.188 (30.2) | 1.250 (31.8) | 770-001S106 |
| 09 | .500 (12.7) | 1.125 (28.6) | 1.250 (31.8) | 1.312 (33.3) | 770-001S107 |
| 10 | .750 (19.1) | 1.250 (31.8) | 1.375 (34.9) | 1.437 (36.5) | 770-001S107 |
| 11 | .750 (19.1) | 1.375 (34.9) | 1.500 (38.1) | 1.562 (39.7) | 770-001S107 |
| 12 | 1.000 (25.4) | 1.500 (38.1) | 1.625 (41.3) | 1.687 (42.8) | 770-001S107 |
| 13 | 1.000 (25.4) | 1.625 (41.3) | 1.750 (44.5) | 1.812 (46.0) | 770-001S108 |
| 14 | 1.000 (25.4) | 1.750 (44.5) | 1.875 (47.6) | 1.937 (49.2) | 770-001S108 |
| 15 | 1.000 (25.4) | 1.875 (47.6) | 2.000 (50.8) | 2.062 (52.4) | 770-001S109 |
| 16 | 1.000 (25.4) | 2.000 (50.8) | 2.125 (54.0) | 2.187 (55.5) | 770-001S109 |

1. When maximum cable entry (page 21) is exceeded, Style 2 will be supplied. Dimensions E, F, G, and H will not apply. Please consult factory.
2. Metric dimensions (mm) are indicated in parentheses.
3. Interface O-Ring not supplied with Connector Designator A.
4. Consult factory for shorter lengths on straight backshells.
5. See page 40 Shrink Boot Reference Information.
6. Backshells supplied with 600-052-* band, see Glenair Series 600 Tool Catalog for installation.

-445 Now Available with the "NESTOR"

Add "-445" to Specify Glenair's Non-Detent, Spring-Loaded, Self-Locking Coupling. See Page 41 for Details.

Mouser Electronics

Authorized Distributor

Click to View Pricing, Inventory, Delivery & Lifecycle Information:

Glenair:

[440AJ030NF1003](#) [440AJ030NF1806](#) [440FH030NF1606](#) [440FH030NF2007](#) [440FJ030NF1204-B](#) [440FJ030NF1405-B](#) [440FJ030NF2209-B](#) [440HJ030NF1304-B](#) [440HJ030NF1504-B](#) [440HS030NF1333-2](#) [440AH030N2007](#) [440AH030NF1632-B](#) [440AH030T1002-366](#) [440AH030T1203-366](#) [440AH030T1204-366](#) [440AH030T1804-366](#) [440AH030T1805-366](#) [440AH030T2004-366](#) [440AH030T2005-366](#) [440AH030T2007-366](#) [440AH030T2805-366](#) [440AH030T2806-366](#) [440AH030T2807-366](#) [440AJ030B1004-B](#) [440AJ030B1202B](#) [440AJ030B1804-B](#) [440AJ030M0802](#) [440AJ030M0802-157](#) [440AJ030M0802-B](#) [440AJ030M1002](#) [440AJ030M1003-157](#) [440AJ030M1204-157](#) [440AJ030M1635](#) [440AJ030NF1001-K](#) [440AJ030NF1002](#) [440AJ030NF1002-B](#) [440AJ030NF1202](#) [440AJ030NF1403-K](#) [440AJ030NF1404](#) [440AJ030NF1404-K](#) [440AJ030NF1432-B](#) [440AJ030NF1602](#) [440AJ030NF1604](#) [440AJ030NF1606](#) [440AJ030NF1632](#) [440AJ030NF2004](#) [440AJ030NF2006](#) [440AJ030Z11403-B](#) [440AS030B1404-3](#) [440AS030B1404-4](#) [440AS030M0802-2-157](#) [440AS030M1003-3B](#) [440AS030M1203-2-204](#) [440AS030M1403-3K](#) [440AS030M1404-5](#) [440AS030M1603-3](#) [440AS030M1605-3](#) [440AS030M1633-3K](#) [440AS030M2004-3](#) [440AS030M2008-4](#) [440AS030M2203-3](#) [440AS030M2408-6](#) [440AS030NF0801-3](#) [440AS030NF0802-3](#) [440AS030NF1002-3](#) [440AS030NF1002-4B](#) [440AS030NF1003-3](#) [440AS030NF1004-3](#) [440AS030NF1202-3](#) [440AS030NF1202-4](#) [440AS030NF1203-2K](#) [440AS030NF1204-2](#) [440AS030NF1204-4](#) [440AS030NF1231-3](#) [440AS030NF1402-2](#) [440AS030NF1403-2K](#) [440AS030NF1403-3K](#) [440AS030NF1404-2](#) [440AS030NF1404-2K](#) [440AS030NF1404-3](#) [440AS030NF1404-4](#) [440AS030NF1405-3B](#) [440AS030NF1602-4](#) [440AS030NF1603-3](#) [440AS030NF1604-4](#) [440AS030NF1605-3](#) [440AS030NF1632-3B](#) [440AS030NF1803-3](#) [440AS030NF1834-3B](#) [440AS030NF2003-3K](#) [440AS030NF2003-4](#) [440AS030NF2004-3](#) [440AS030NF2005-2](#) [440AS030NF2005-3](#) [440AS030NF2005-3B](#) [440AS030NF2202-3](#) [440AS030NF2204-3](#) [440AS030NF2204-4](#) [440AS030NF2205-3](#) [440AS030NF2207-2](#)