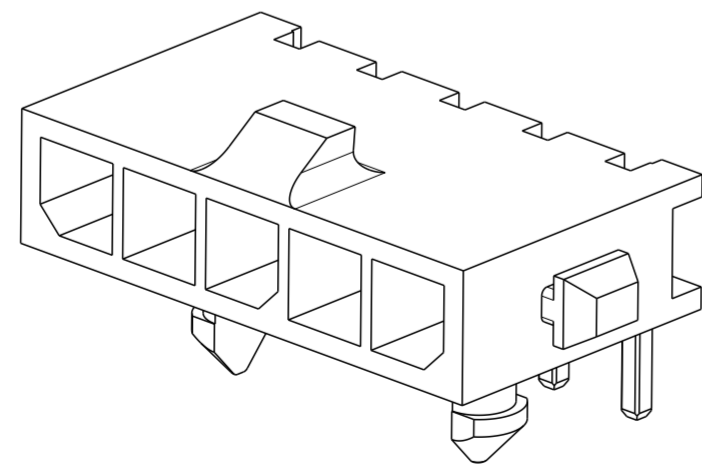
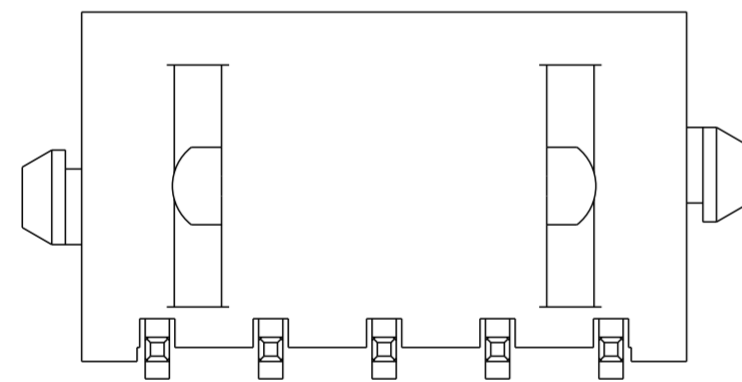
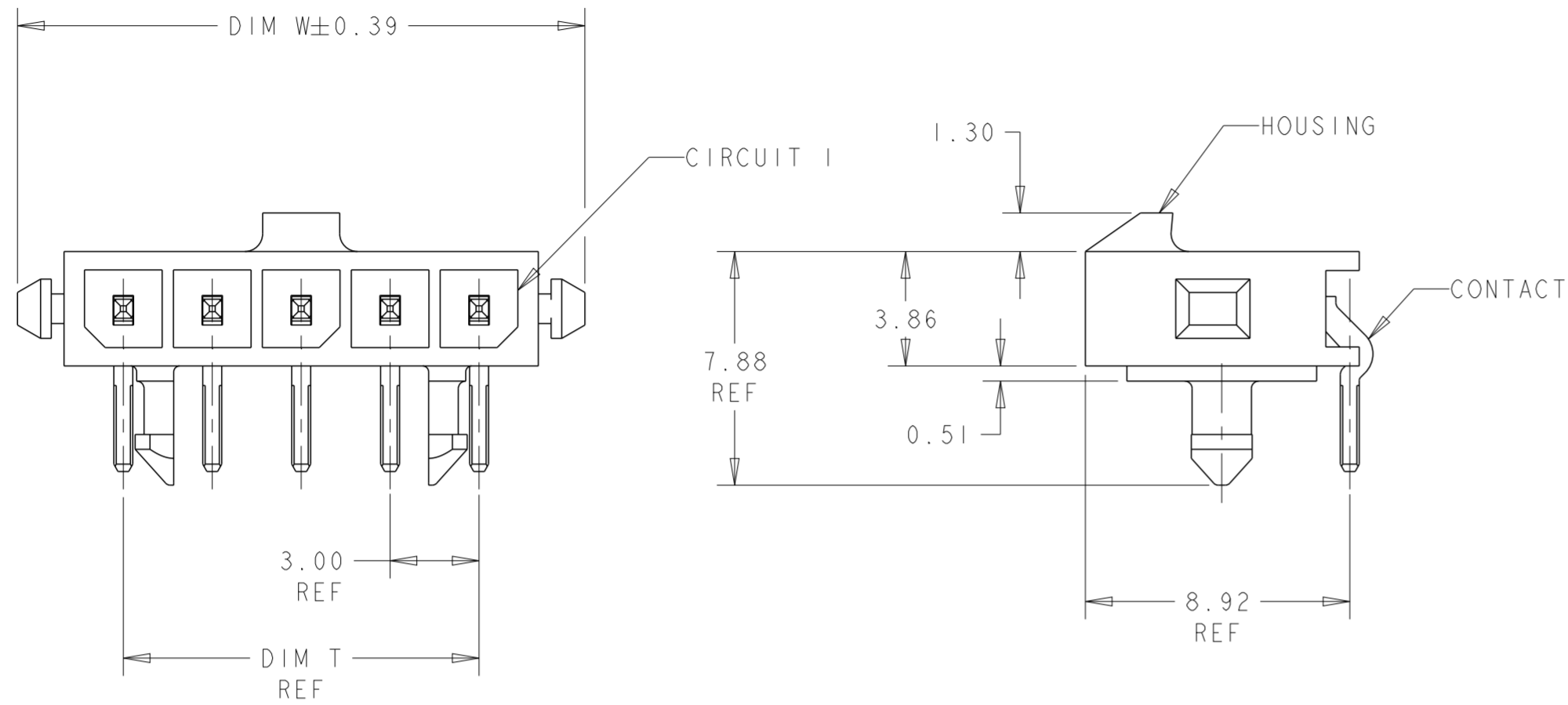


THIS DRAWING IS UNPUBLISHED. RELEASED FOR PUBLICATION 2011
 © COPYRIGHT 2011 ALL RIGHTS RESERVED.

LOC	DIST	REVISIONS					
CM	00	P	LTR	DESCRIPTION	DATE	DWN	APVD
			A2	REVISED PER ECR-16-011506	23JUN2017	NK	CX



- 1 MATERIAL: CONTACTS - BRASS
HOUSING - UL 94V-0 RATED HIGH TEMP NYLON, COLOR BLACK.
- 2 PLATING: CONTACTS - 0.38µm MINIMUM GOLD ON MATING END,
2.54µm MINIMUM TIN LEAD ON SOLDER TAILS, BOTH OVER
1.27µm MINIMUM NICKEL.
- 4 RECOMMENDED PC BOARD THICKNESS OF 1.57.
- 5 PLATING: CONTACTS - 0.38µm MINIMUM GOLD ON MATING END,
2.54µm MINIMUM MATTE TIN ON SOLDER TAILS, BOTH OVER
1.27µm MINIMUM NICKEL.

5	33.00	28.70	33.00	40.14	12	3-1445089-2	
5	30.00	25.70	30.00	37.14	11	3-1445089-1	
5	27.00	22.70	27.00	34.14	10	3-1445089-0	
5	24.00	19.70	24.00	31.14	9	2-1445089-9	
5	21.00	16.70	21.00	28.14	8	2-1445089-8	
5	18.00	13.70	18.00	25.14	7	2-1445089-7	
5	15.00	10.70	15.00	22.14	6	2-1445089-6	
5	12.00	7.70	12.00	19.14	5	2-1445089-5	
5	9.00	4.70	9.00	16.14	4	2-1445089-4	
5	-	-	6.00	13.14	3	2-1445089-3	
5	-	-	3.00	10.14	2	2-1445089-2	
SUPERSEDED BY 3-1445089-2	2	33.00	28.70	33.00	40.14	12	+1445089-2-
SUPERSEDED BY 3-1445089-1	2	30.00	25.70	30.00	37.14	11	+1445089-1-
SUPERSEDED BY 3-1445089-0	2	27.00	22.70	27.00	34.14	10	+1445089-0-
SUPERSEDED BY 2-1445089-9	2	24.00	19.70	24.00	31.14	9	+445089-9-
SUPERSEDED BY 2-1445089-8	2	21.00	16.70	21.00	28.14	8	+445089-8-
SUPERSEDED BY 2-1445089-7	2	18.00	13.70	18.00	25.14	7	+445089-7-
SUPERSEDED BY 2-1445089-6	2	15.00	10.70	15.00	22.14	6	+445089-6-
SUPERSEDED BY 2-1445089-5	2	12.00	7.70	12.00	19.14	5	+445089-5-
SUPERSEDED BY 2-1445089-4	2	9.00	4.70	9.00	16.14	4	+445089-4-
SUPERSEDED BY 2-1445089-3	2	-	-	6.00	13.14	3	+445089-3-
SUPERSEDED BY 2-1445089-2	2	-	-	3.00	10.14	2	+445089-2-
FINISH	DIM Z	DIM V	DIM T	DIM W	NO. OF POSN	PART NUMBER	

THIS DRAWING IS A CONTROLLED DOCUMENT. DWN J.ROOT 09OCT2000
 CHK K.WHITAKER 17-APR-2001
 APVD C.JONES 17-APR-2001

STE TE Connectivity

DIMENSIONS: mm TOLERANCES UNLESS OTHERWISE SPECIFIED:
 0 PLC ±
 1 PLC ±
 2 PLC ±0.13
 3 PLC ±
 4 PLC ±
 ANGLES ±
 FINISH

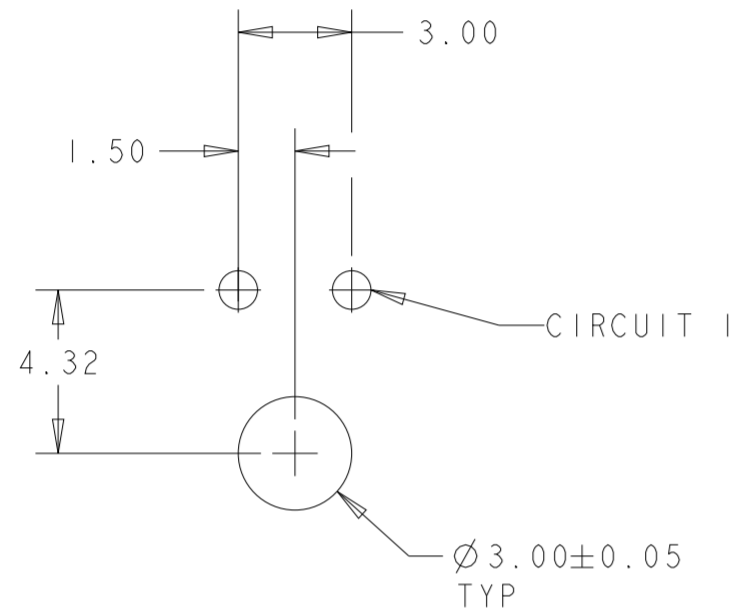
MATERIAL 1 - SEE TABLE

NAME: RIGHT ANGLE THRU HOLE HEADER ASSY, 0.38 MIC GOLD CONTACTS, WITH PLASTIC HOLDDOWNS, SGL ROW, MICRO MATE-N-LOK™
 SIZE: A2 CAGE CODE: 00779 DRAWING NO: C-1445089
 WEIGHT: -
 CUSTOMER DRAWING

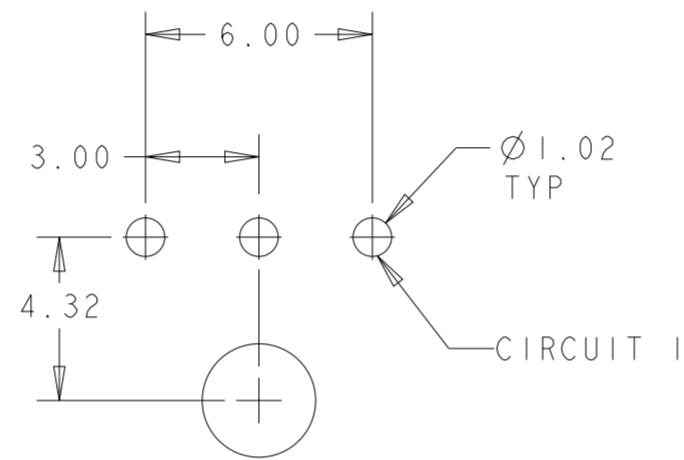
RESTRICTED TO: -
 SCALE: 5:1 SHEET 1 OF 2 REV A2

THIS DRAWING IS UNPUBLISHED. RELEASED FOR PUBLICATION 2011
 © COPYRIGHT 2011 ALL RIGHTS RESERVED.

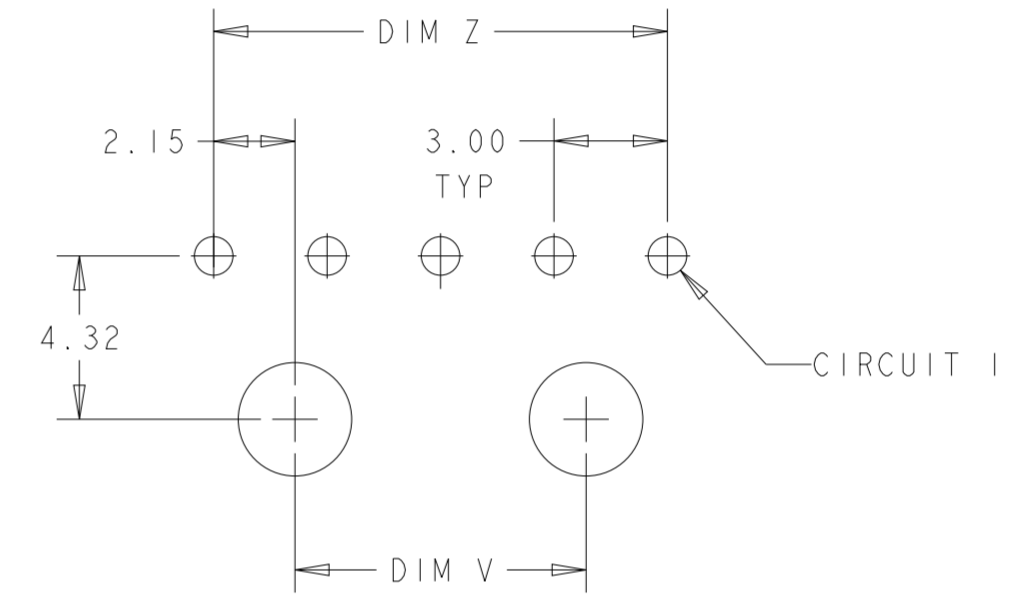
LOC	DIST	REVISIONS					
CM	00	P	LTR	DESCRIPTION	DATE	DWN	APVD
		-		SEE SHEET 1	-	-	-



PCB LAYOUT FOR 2 POSITION \triangle
 COMPONENT SIDE



PCB LAYOUT FOR 3 POSITION \triangle
 COMPONENT SIDE



PCB LAYOUT FOR 4-12 POSITION \triangle
 COMPONENT SIDE

THIS DRAWING IS A CONTROLLED DOCUMENT.		DWN J. ROOT 09OCT2000	TE Connectivity	
DIMENSIONS: mm		CHK K. WHITAKER 17-APR-2001		
TOLERANCES UNLESS OTHERWISE SPECIFIED:		APVD C. JONES 17-APR-2001	NAME RIGHT ANGLE THRU HOLE HEADER ASSY, 0.38 MIC GOLD CONTACTS, WITH PLASTIC HOLDDOWNS, SGL ROW, MICRO MATE-N-LOK™	
0 PLC ± 1 PLC ± 2 PLC ±0.13 3 PLC ± 4 PLC ± ANGLES ± FINISH ±		PRODUCT SPEC -	SIZE A2	CAGE CODE 00779
MATERIAL \triangle - SEE TABLE -		APPLICATION SPEC -	DRAWING NO C-1445089	RESTRICTED TO -
		WEIGHT -	SCALE 5:1	SHEET 2 OF 2
		CUSTOMER DRAWING	REV A2	

Mouser Electronics

Authorized Distributor

Click to View Pricing, Inventory, Delivery & Lifecycle Information:

[TE Connectivity:](#)

[1445089-6](#)