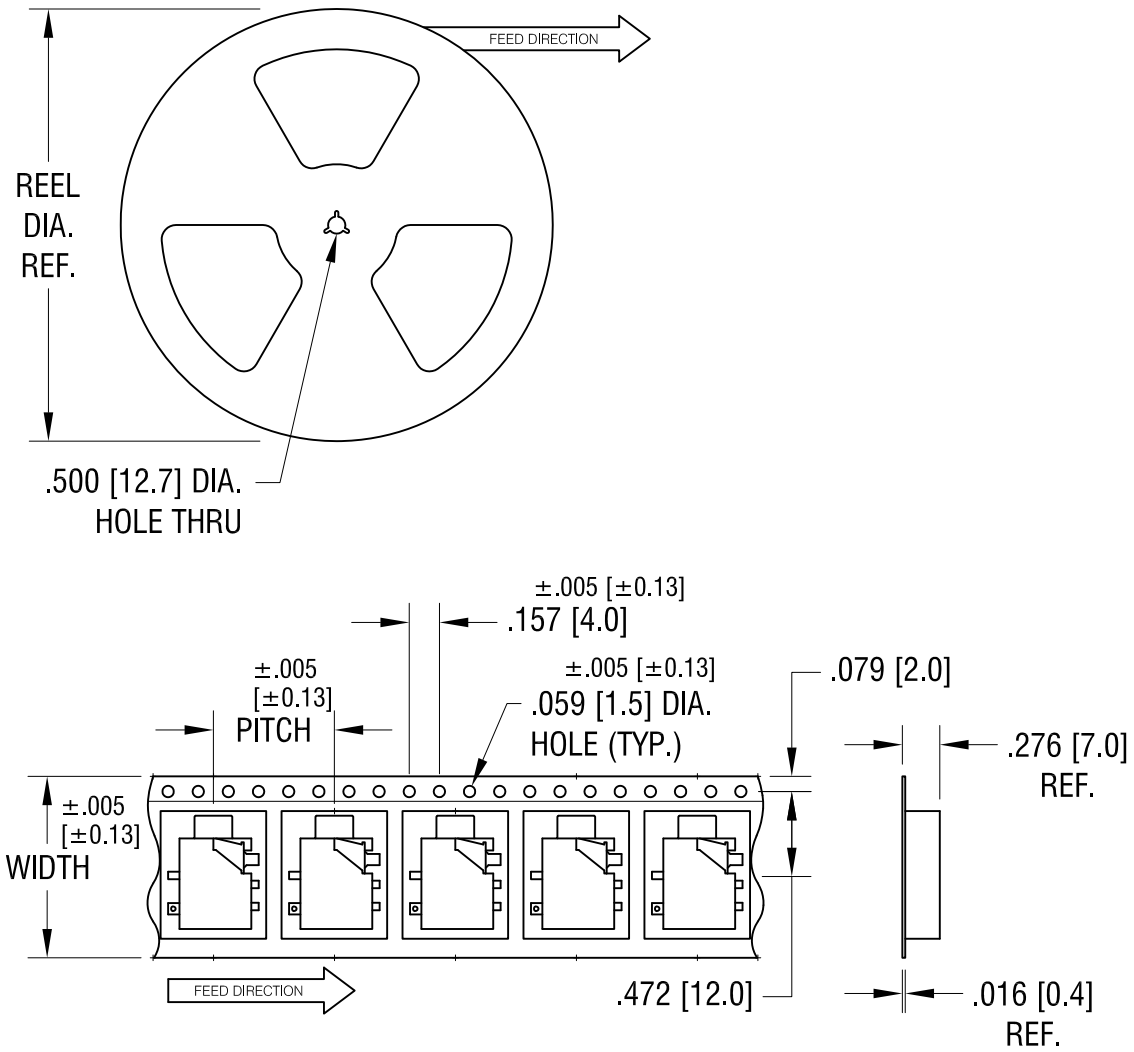


THIS DOCUMENT IS THE PROPERTY OF KEYSTONE ELECTRONICS CORP. AND SHALL NOT BE REPRODUCED, DISTRIBUTED OR USED AS A BASIS FOR MANUFACTURE WITHOUT PRIOR WRITTEN PERMISSION FROM KEYSTONE ELECTRONICS CORP.



**NOTES:**

**TAPE AND REEL SPECIFICATIONS:**

**1. TAPE:**

MAT'L - ALL CONDUCTIVE POLYSTYRENE CARRIER  
 ANSI/EIA-481 STANDARD  
 .945 [24.0] WIDE; .630 [16.0] PITCH

**2. REEL:**

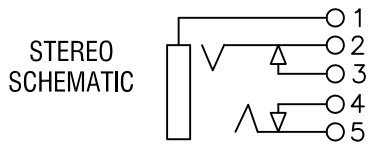
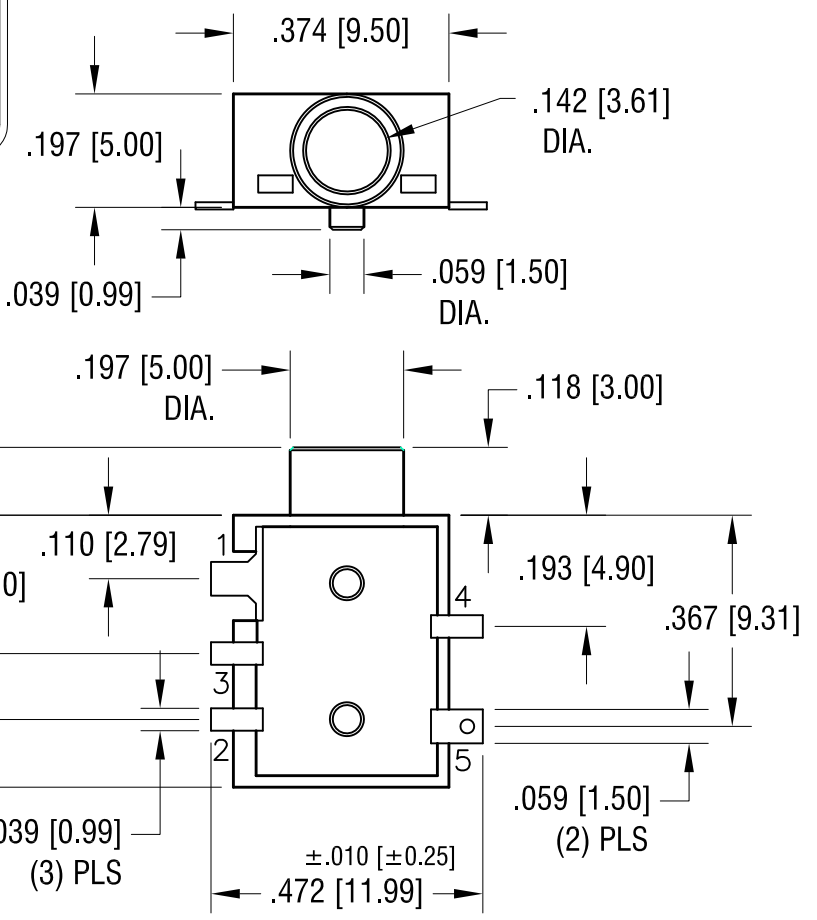
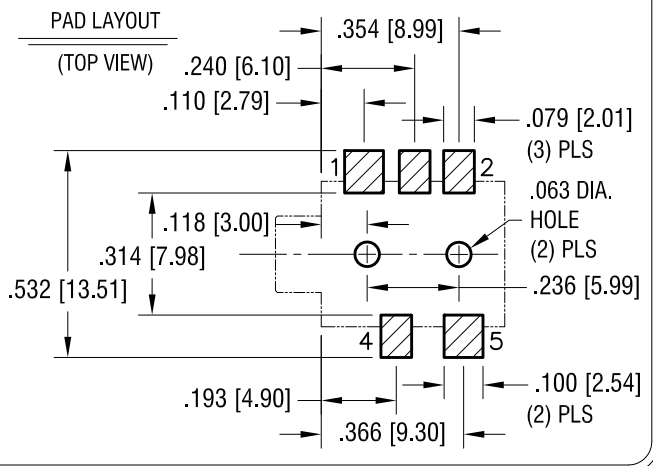
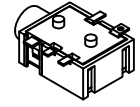
15.0 [381.0] DIA. 800 PIECES OF  
 PART NO. 981 PER REEL.

<b>KEYSTONE ELECTRONICS CORP.</b>			
www.keyelco.com • ASTORIA, N.Y. 11105-2017 • Tel (718) 956-8900			
PART NAME			
3.5mm SM STEREO JACK ON TAPE			
MATERIAL			
AS NOTED			
FINISH		DRN BY	DATE
AS NOTED		BOONE	2.28.00
		APP'D	SCALE
		LN	X
TOLERANCES	INCH [MM]	CODE	DWG NO.
DECIMAL	± .015 [± 0.38]	C	<b>981TR</b>
ANGULAR	± 1°		
UNLESS OTHERWISE SPECIFIED			

10.17.06	CHANGE AS PER ECN 06-066	A
DATE	DESCRIPTION	REV.

THIS DOCUMENT IS THE PROPERTY OF KEYSTONE ELECTRONICS CORP. AND SHALL NOT BE REPRODUCED, DISTRIBUTED OR USED AS A BASIS FOR MANUFACTURE WITHOUT PRIOR WRITTEN PERMISSION FROM KEYSTONE ELECTRONICS CORP.

ACTUAL SIZE



- NOTES:
- MAT'L:  
 HOUSING: MAT'L- LCP, UL 94V-0  
 GROUND TERMINAL: .012 [0.3] TH'K BRASS ①  
 SPRING CONTACTS: .008 [0.2] TH'K PHOSPHOR BRONZE ② ⑤  
 SHUNT TERMINALS: .012 [0.3] TH'K BRASS ③ ④
  - TAPE SPECIFICATIONS:  
 MAT'L - ALL CONDUCTIVE POLYSTYRENE CARRIER  
 ANSI/EIA-481 STANDARD  
 24MM (.945) WIDE; 16MM (.630) PITCH
  - REEL SPECIFICATION:  
 15 INCH DIA. 800 PIECES

HOUSING WAS POLYAMIDE  
 CHANGE AS PER ECN 13-041

<b>KEYSTONE ELECTRONICS CORP.</b>			
www.keyelco.com • ASTORIA, N.Y. 11105-2017 • Tel (718) 956-8900			
PART NAME 3.5mm SURFACE MOUNT STEREO JACK			
MATERIAL AS NOTED			
FINISH GOLD FLASH		DRN BY BOONE	DATE 5.14.99
		APP'D LN	SCALE 3X
TOLERANCES DECIMAL ANGULAR ± 1° UNLESS OTHERWISE SPECIFIED	INCH [MM] ± .005 [± 0.13]	CODE C	DWG NO. <b>981</b>

5.20.13	DATE	DESCRIPTION	REV.
			A

# Mouser Electronics

Authorized Distributor

Click to View Pricing, Inventory, Delivery & Lifecycle Information:

[Keystone Electronics:](#)

[981TR](#)