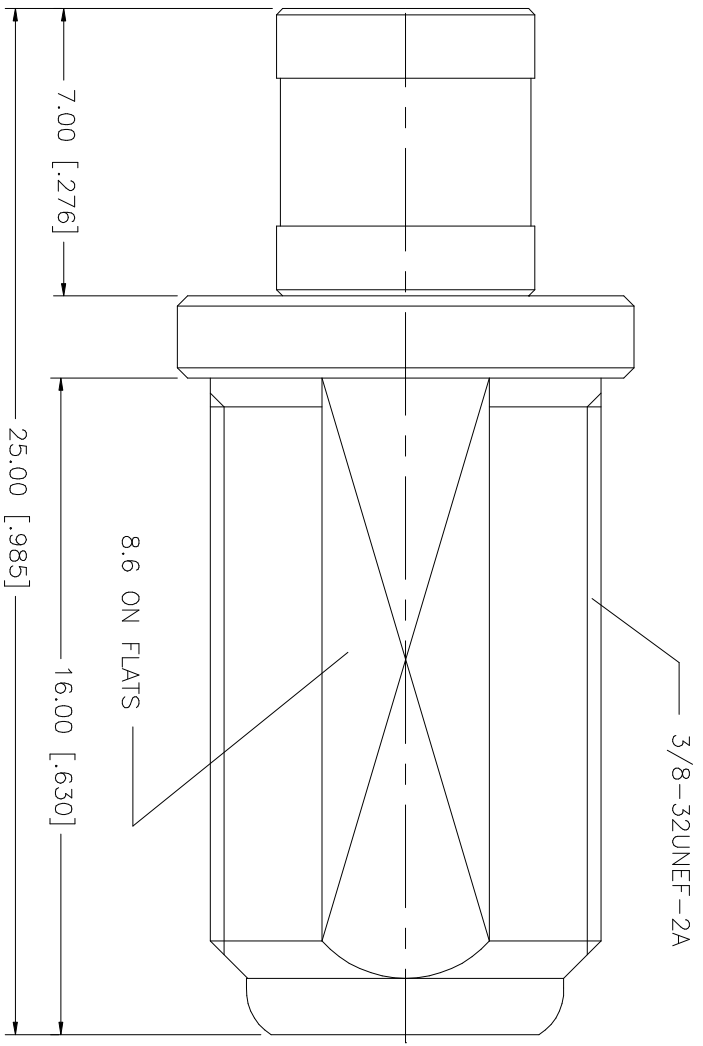


REV.	DATE	DESCRIPTION
NC	04/05/06	INITIAL RELEASE



NO.	DESCRIPTION	MATERIAL	FINISH	QTY	UNLESS OTHERWISE SPECIFIED DIMENSIONS ARE IN INCHES AND FOR CUSTOMER REFERENCE ONLY. TOLERANCES FOR MILLIMETERS ARE:	APPROVALS	DATE	DWG. NO.	REV.	SIZE	SCALE	
8					0.5 - 8mm ± 0.20mm	<b>Amphenol Connex</b> SMB PLUG TO F JACK ADAPTER PART NO. 242223		242223.DWG	NC	A	NA	
7					8 - 30mm ± 0.40mm		DRAWN	04/05/06				
6					30 - 120mm ± 0.50mm		CHECKED					
5					UNLESS OTHERWISE SPECIFIED TOLERANCES FOR INCHES ARE:		ISSUED					
4					.020 - .315 = ± 0.007"		SHEET					
3	CONTACT PIN	BER. COPPER	GOLD	1	.315 - 1.180 = ± 0.015"	1 OF 1						
2	INSULATOR	TEFLON	NATURAL	1	1.180 - 4.724 = ± 0.020"							
1	BODY	BRASS	NICKEL	1								
	DESCRIPTION	MATERIAL	FINISH	QTY	DO NOT SCALE DRAWING	CAD FILE						
						C:/242/242223.DWG						

# Mouser Electronics

Authorized Distributor

Click to View Pricing, Inventory, Delivery & Lifecycle Information:

[Amphenol:](#)

[242223](#)