



Series 518 Open Frame Capacitor Socket w/Collet Contacts & Solder Pin Tails

FEATURES

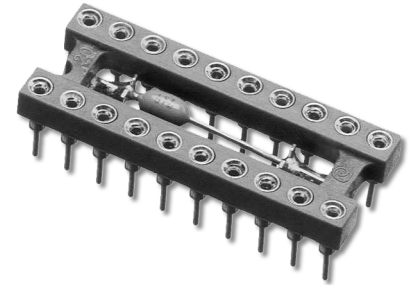
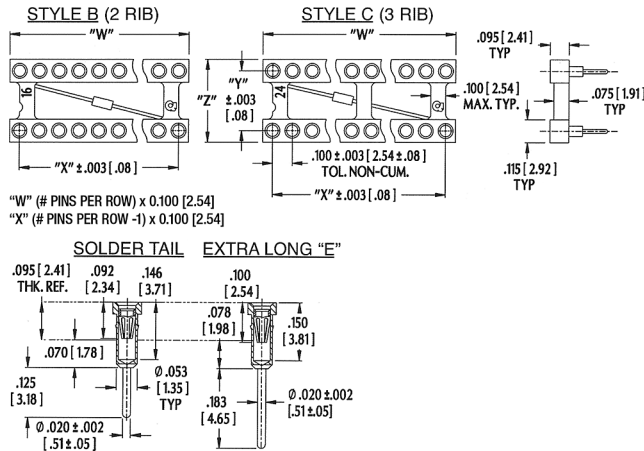
- Capacitor bypasses unwanted electromagnetic noise
- Available with 0.1µF or 0.33µF Capacitor, 50V, Z5U temperature coefficient
- Open frame allows for more efficient utilization of board space and better cooling
- Compatible with Automatic Insertion Equipment
- Side-to-side and End-to-end Stackable

GENERAL SPECIFICATIONS

- **BODY MATERIAL:** Blue UL 94V-0 Glass-filled Polyester Thermoplastic (PBT)
- **PIN BODY:** Brass 360 1/2-hard per UNS C36000 ASTM B16-85
- **PIN BODY PLATING:** either 10µ [0.25µ] min. Au per MIL-G-45204 or 200µ [5.08µ] min. 93/7 Sn/Pb per ASTM B545 or 200µ [5.08µ] min. Sn per ASTM B545 Type 1 over 100µ [2.54µ] min. Ni per SAE AMS-QQ-N-290
- **4-FINGER COLLET CONTACT:** BeCu per UNS C17200 ASTM-B194-92
- **CONTACT PLATING:** 10µ [0.25µ] min. Au per MIL-G-45204 –OR– 150µ [3.81µ] min. 93/7 Sn/Pb per MIL-P-81728 over 50µ [1.27µ] min. Ni per QQ-N-290. Heavy 30µ [0.76µ] Au plating also available
- **CONTACT CURRENT RATING:** 3 amps
- **OPERATING TEMPERATURE:** 221°F [105°C] for Sn plating, and 257°F [125°C] for Au plating
- **INSERTION FORCE:** 180g/pin
- **WITHDRAWAL FORCE:** 90g/pin
- **NORMAL FORCE:** 140g/pin; based on a 0.018 [0.46] dia. test lead
- **ACCEPTS LEADS:** 0.015-0.025 [0.38-0.64] in dia.
- **LEAD LENGTHS:** from 0.100 [2.54] min.

MOUNTING CONSIDERATIONS

- **SUGGESTED PCB HOLE SIZE:** 0.030 ±0.002 [0.76±0.05] dia.



ORDERING INFORMATION

XX-X 518-X X X X

Additional Options

- H = Heavy Au on Collet
- T = Sn on Collet
- E = Extra Long Solder Tail

Capacitor

- 1 = 0.1µF
- 2 = 0.33µF

Plating

- 0 = Au Collet, Sn Shell
- OTL = Au Collet, Sn/Ph Shell
- 1 = Au Collet & Shell

Solder Pin Tail

Series

Row-to-Row Spacing, "Y" Dim.

- 3 = 0.300 [7.62]
- 4 = 0.400 [10.16]
- 6 = 0.600 [15.24]

No. of Pins (See Table)

Frame Style	No. of Ribs	Centers "Y"	Dim. "Z"	No. of Pins
B	2	0.300 [7.62]	0.400 [10.16]	14, 16, 18, 20
		0.400 [10.16]	0.500 [12.70]	20, 22, 24
C	3	0.300 [7.62]	0.400 [10.16]	24, 28
		0.600 [15.24]	0.700 [17.78]	24, 28, 32, 40

ALL DIMENSIONS: INCHES [MILLIMETERS]

ALL TOLERANCES: ±0.005 [0.13] UNLESS OTHERWISE SPECIFIED

OPEN FRAME COLLET SOCKET w/WIRE WRAP PINS, SEE DATA SHEET 12016

OPEN FRAME COLLET SOCKET w/SOLDER PIN TAILS, SEE DATA SHEET 12017

OPEN FRAME SURFACE MOUNT SOCKET, SEE DATA SHEET 12018

OPEN FRAME COLLET CAPACITOR SOCKET w/WIRE WRAP, SEE DATA SHEET 12027

CONSULT FACTORY FOR OTHER SIZES AND CONFIGURATIONS

CUSTOMIZATION: ARIES SPECIALIZES IN CUSTOM DESIGN AND PRODUCTION. SPECIAL MATERIALS, PLATINGS, SIZES, AND CONFIGURATIONS CAN BE FURNISHED, DEPENDING ON QUANTITY.

ARIES RESERVES THE RIGHT TO CHANGE PRODUCT GENERAL SPECIFICATIONS WITHOUT NOTICE

PRINTOUTS OF THIS DOCUMENT MAY BE OUT-OF-DATE AND SHOULD BE CONSIDERED UNCONTROLLED



ARIES
ELECTRONICS, INC.

2609 Bartram Road • Bristol, PA 19007-6810 USA

TEL 215-781-9956 • FAX 215-781-9845

WWW.ARIESELEC.COM • INFO@ARIESELEC.COM



12026
Rev. 1.3
1 of 1

Mouser Electronics

Authorized Distributor

Click to View Pricing, Inventory, Delivery & Lifecycle Information:

[Aries Electronics:](#)

[24-6518-111](#) [24-6518-112](#) [24-3518-112](#) [24-3518-111](#) [24-3518-102](#) [24-3518-101](#) [24-6518-101](#) [24-6518-102](#) [16-3518-102](#) [16-3518-101](#) [16-3518-112](#) [16-3518-111](#) [40-6518-111](#) [40-6518-112](#) [40-6518-101](#) [40-6518-102](#) [32-6518-111](#) [32-6518-112](#) [32-6518-101](#) [32-6518-102](#) [20-3518-112](#) [20-3518-111](#) [20-3518-102](#) [20-3518-101](#) [28-6518-102](#) [28-3518-102](#) [28-3518-101](#) [28-6518-111](#) [28-6518-112](#) [28-3518-112](#) [28-3518-111](#) [18-3518-112](#) [18-3518-111](#) [18-3518-102](#) [18-3518-101](#) [28-6518-101](#) [14-3518-102](#) [14-3518-101](#) [14-3518-112](#) [14-3518-111](#) [7340-140-12](#) [40-6518-101T](#) [16-3518-101H](#) [20-3518-101H](#) [14-3518-101H](#) [18-3518-101H](#) [24-3518-101H](#) [24-6518-101H](#)