

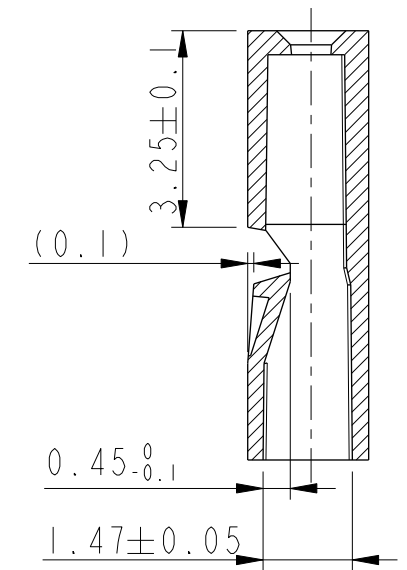
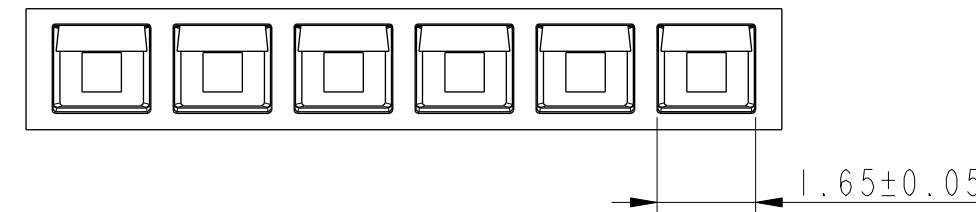
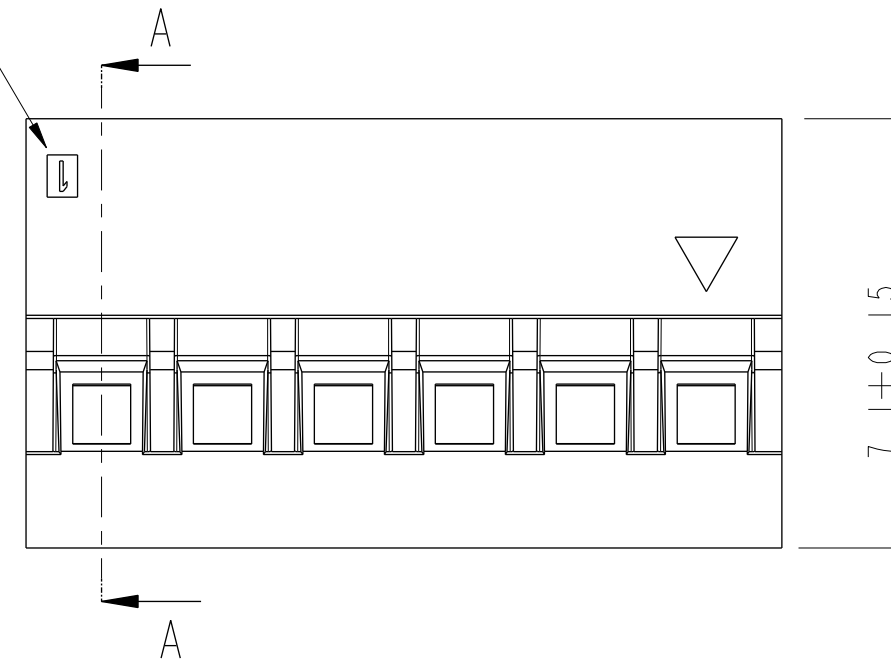
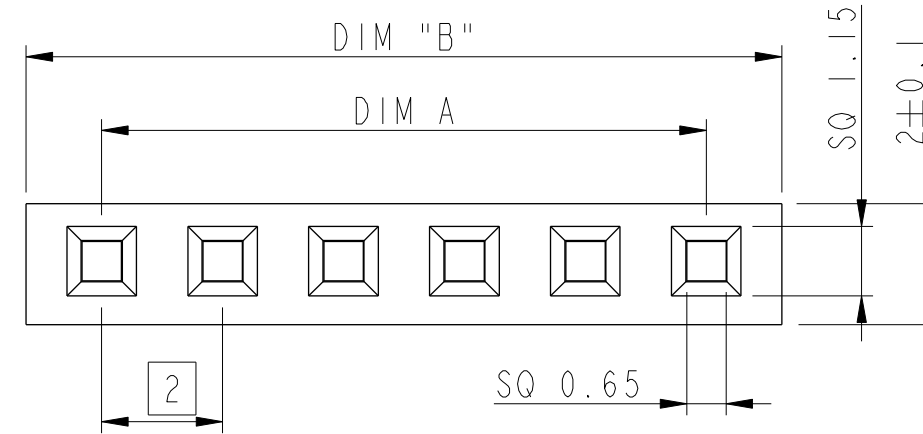
PRODUCT NUMBER	SIZE	DIM A	DIM B
69305-003LF	1x3	4.0	6.4
69305-004LF	1x4	6.0	8.4
69305-005LF	1x5	8.0	10.4
69305-006LF	1x6	10.0	12.4
69305-007LF	1x7	12.0	14.4
69305-008LF	1x8	14.0	16.4
69305-009LF	1x9	16.0	18.4
69305-010LF	1x10	18.0	20.4
69305-011LF	1x11	20.0	22.4
69305-012LF	1x12	22.0	24.4
69305-013LF	1x13	24.0	26.4
69305-014LF	1x14	26.0	28.4
69305-015LF	1x15	28.0	30.4
69305-016LF	1x16	30.0	32.4
69305-017LF	1x17	32.0	34.4

PRODUCT NUMBER

69305-0XXLF

TOTAL NUMBER OF POS 03 UP TO 17

NOTE 5



SECTION A-A

NOTES:

- 1 - MATERIAL : PA66 25% GLASSFILLED, UL94V-0 COLOR BLACK.
- 2 - PRODUCT MEETS EUROPEAN UNION DIRECTIVES AND OTHERS REGULATIONS AS DESCRIBED IN GS-47-004.
- 4 - THIS PRODUCT IS NOT INTENDED TO BE EXPOSED TO MANUFACTURING SOLDER PROCESSES.
- 5 - INDICATES POS 1, WHEN MATED WITH 95000 SERIE.
- 6 - FOR USE WITH MINITEK CRIMP TO WIRE CONTACT 77138 (26-30AWG) OR 10044403 (22-24AWG).
- 7 - PRODUCT SPECIFICATION AS PER 110-036, CRIMP RECOMMENDATIONS AS PER GS-20-058

TOLERANCES UNLESS OTHERWISE SPECIFIED

	0.X	±0.3	-	-	-	-
LINEAR	0.XX	±0.13	-	-	-	-
	0.XXX	±0.050	-	-	-	-
	ANGULAR	0°	±2°	-	-	-

Material		NOTE 1		Spec ref	
Mat code		N/A		✓	tolerance
Heattreat		N/A			
Plating/Finish		N/A			
Dr	E.KROPIEWN	1999-11-08	Product family		MINITEK
Eng	L. GREEN	1999-11-08	Model Name		69305
Chr	J.COMPAGNON	2012-08-30	Model Revision		REL Level proi_release
Appr	JCO	2012-08-30	Model Revision		REL Level proi_release
rev		ecn no	dr	date	
L	V08-0392	HTB	2008-09-12		
M	F12-0803	JCO	2012-09-03		
N	F-23064	LMU	2016-01-18		
FCI		MINITEK CTW HOUSING			dwg no
FCI		SINGLE ROW			69305
Pro/E file		catalog no			CUSTOMER
					sheet 1 of 1

Mouser Electronics

Authorized Distributor

Click to View Pricing, Inventory, Delivery & Lifecycle Information:

[FCI / Amphenol:](#)

[69305-003LF](#) [69305-004LF](#) [69305-005LF](#) [69305-006LF](#) [69305-007LF](#) [69305-008LF](#) [69305-009LF](#) [69305-010LF](#)
[69305-011LF](#) [69305-012LF](#) [69305-013LF](#) [69305-014LF](#) [69305-015LF](#) [69305-016LF](#) [69305-017LF](#)