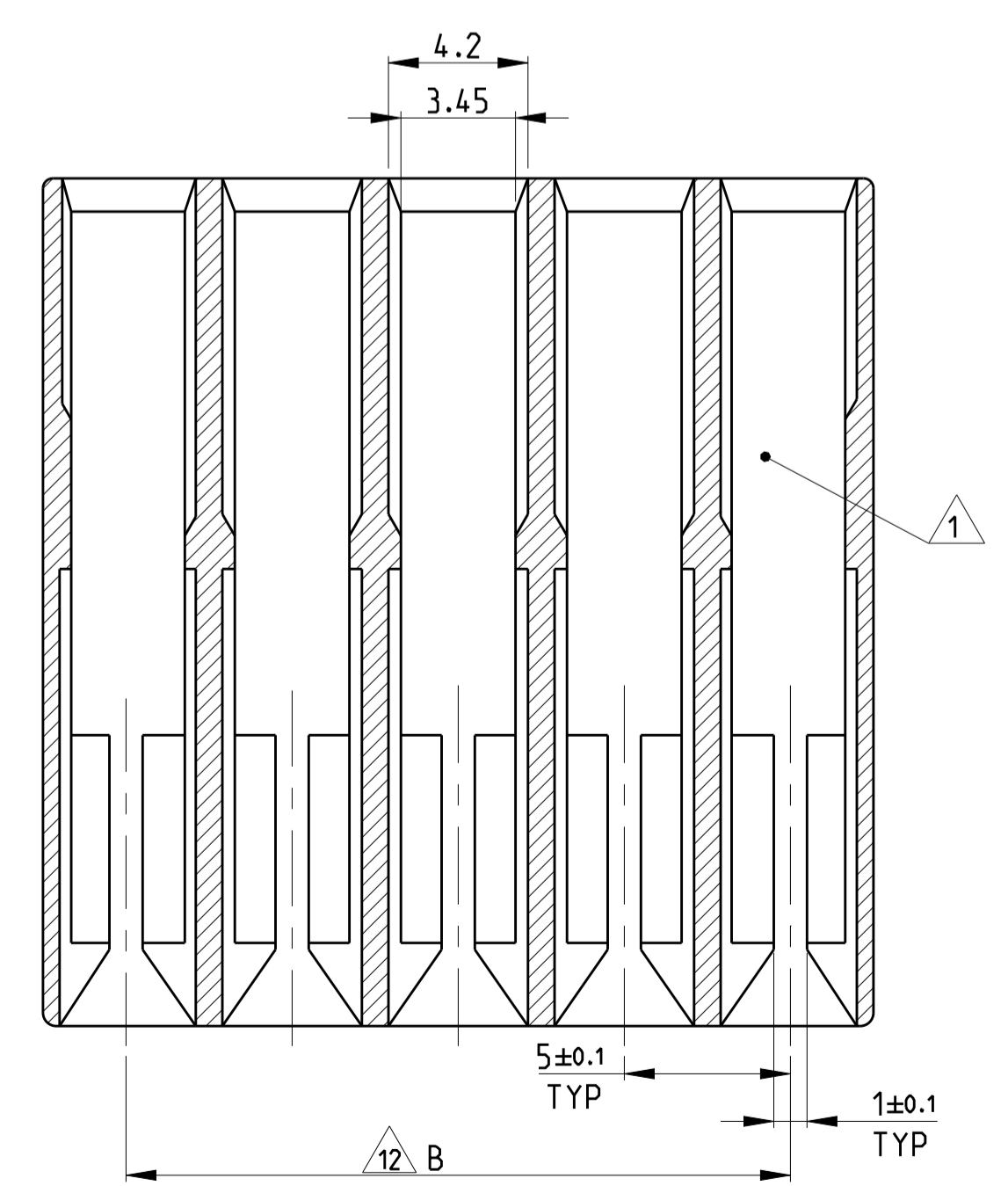
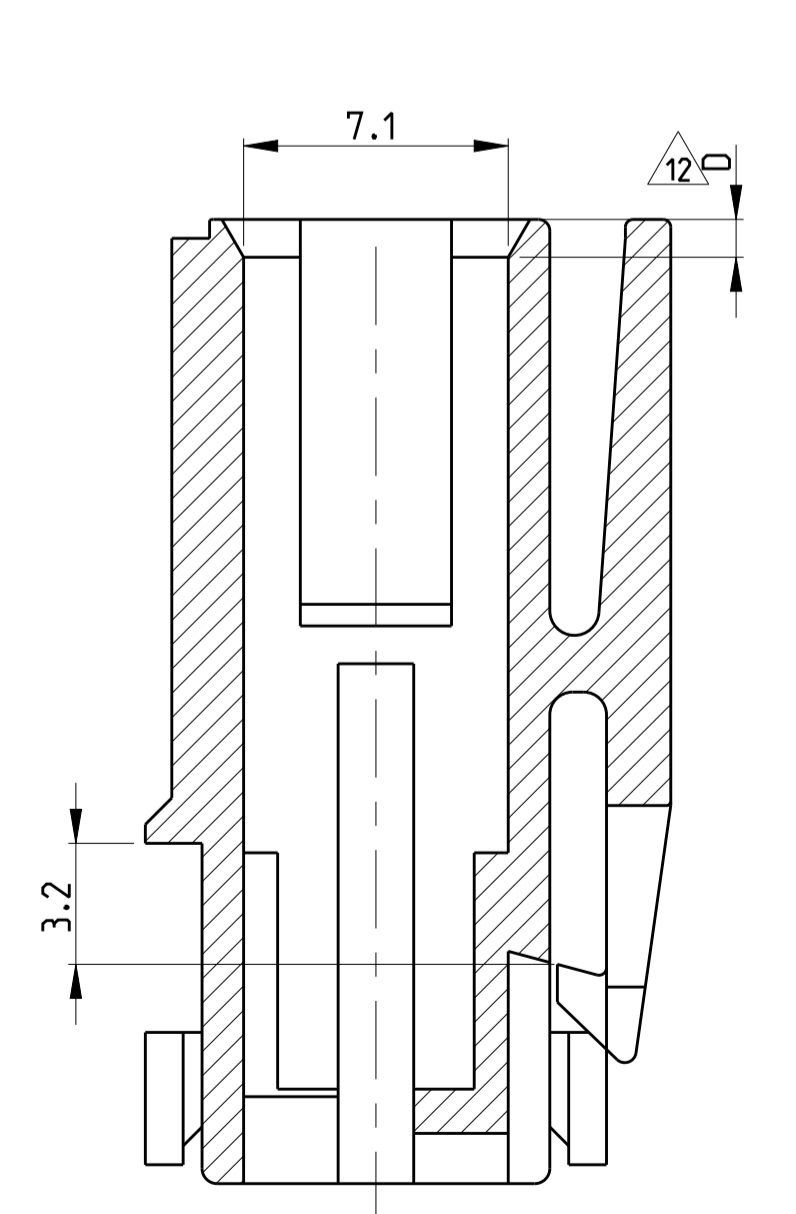
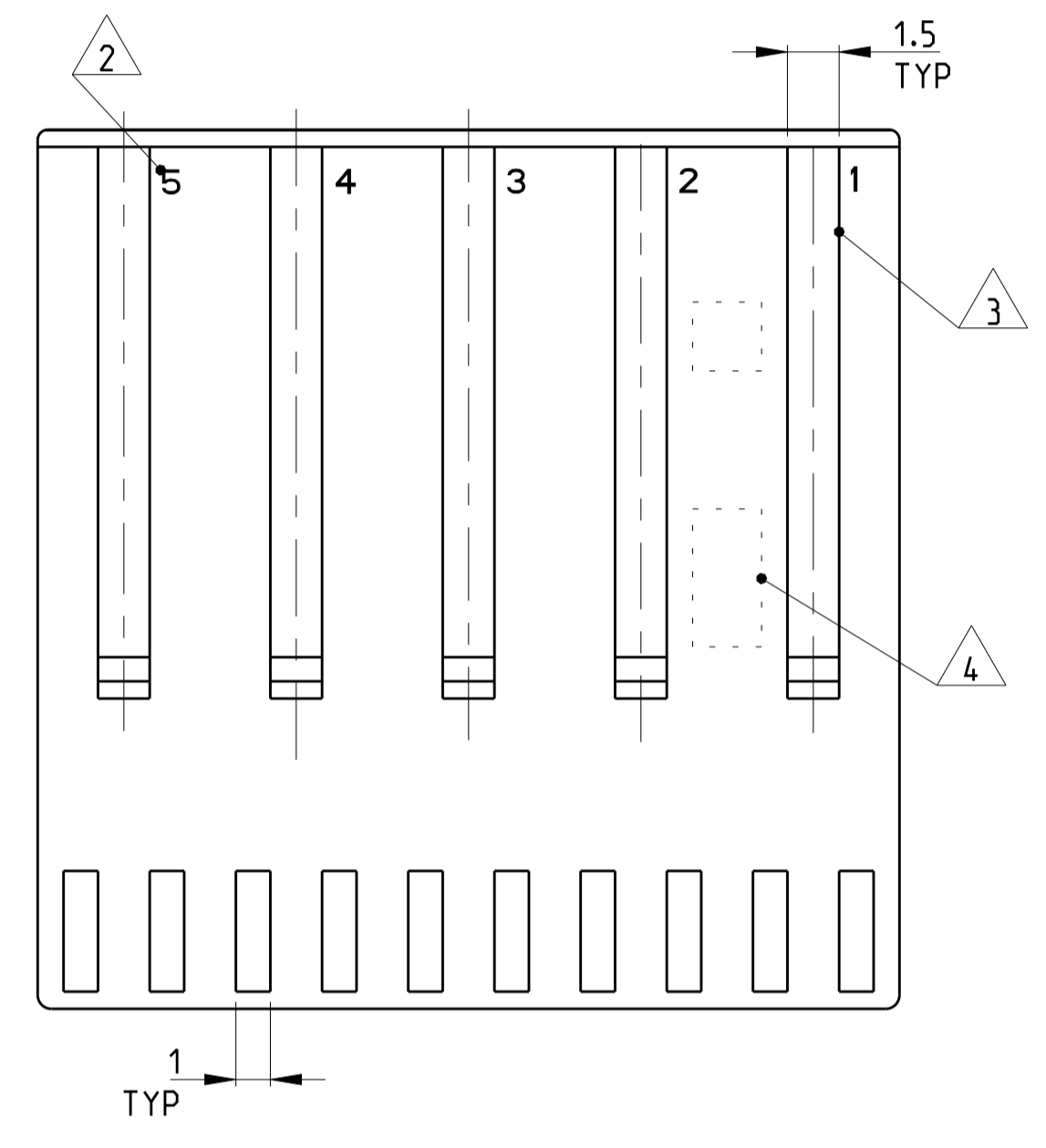
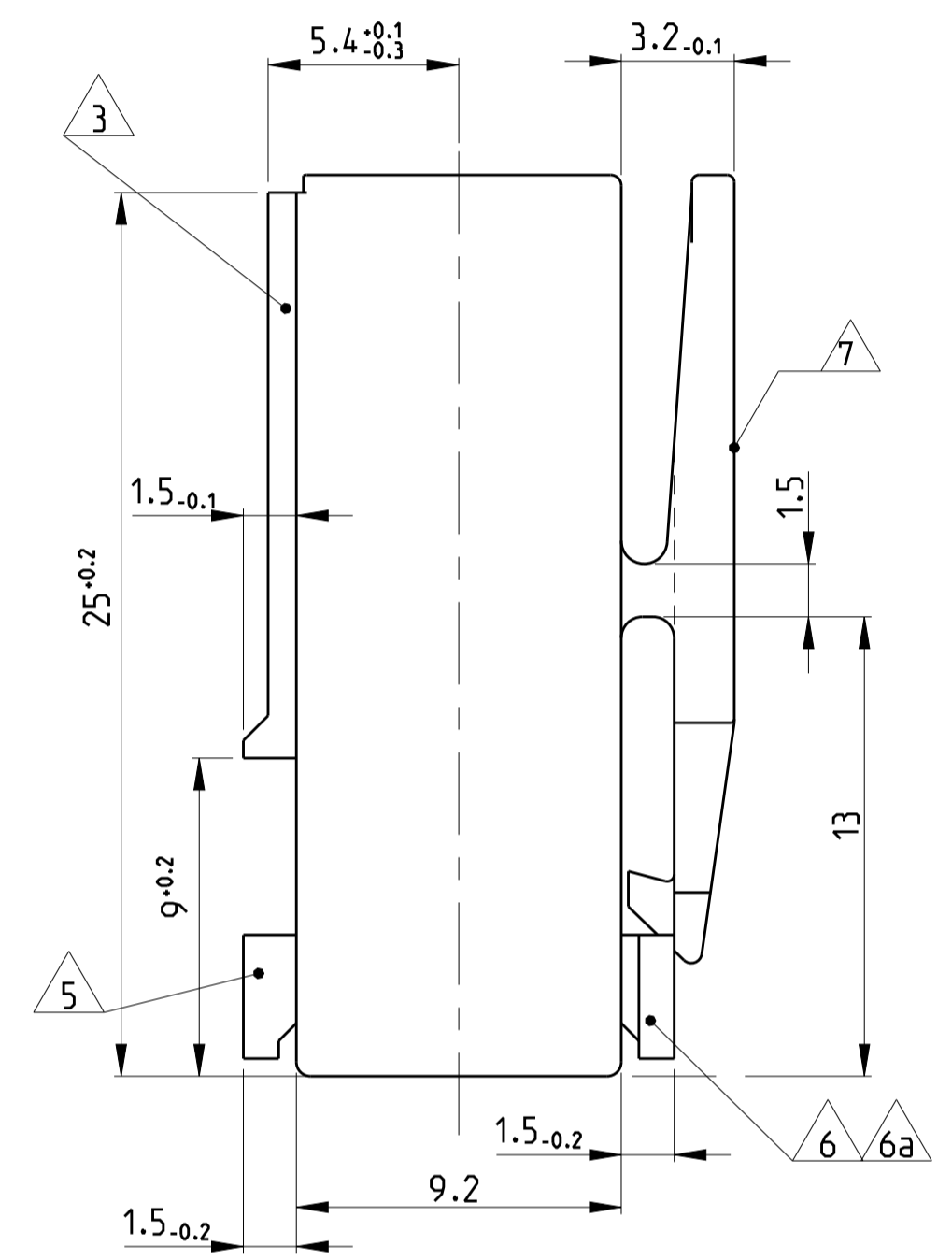
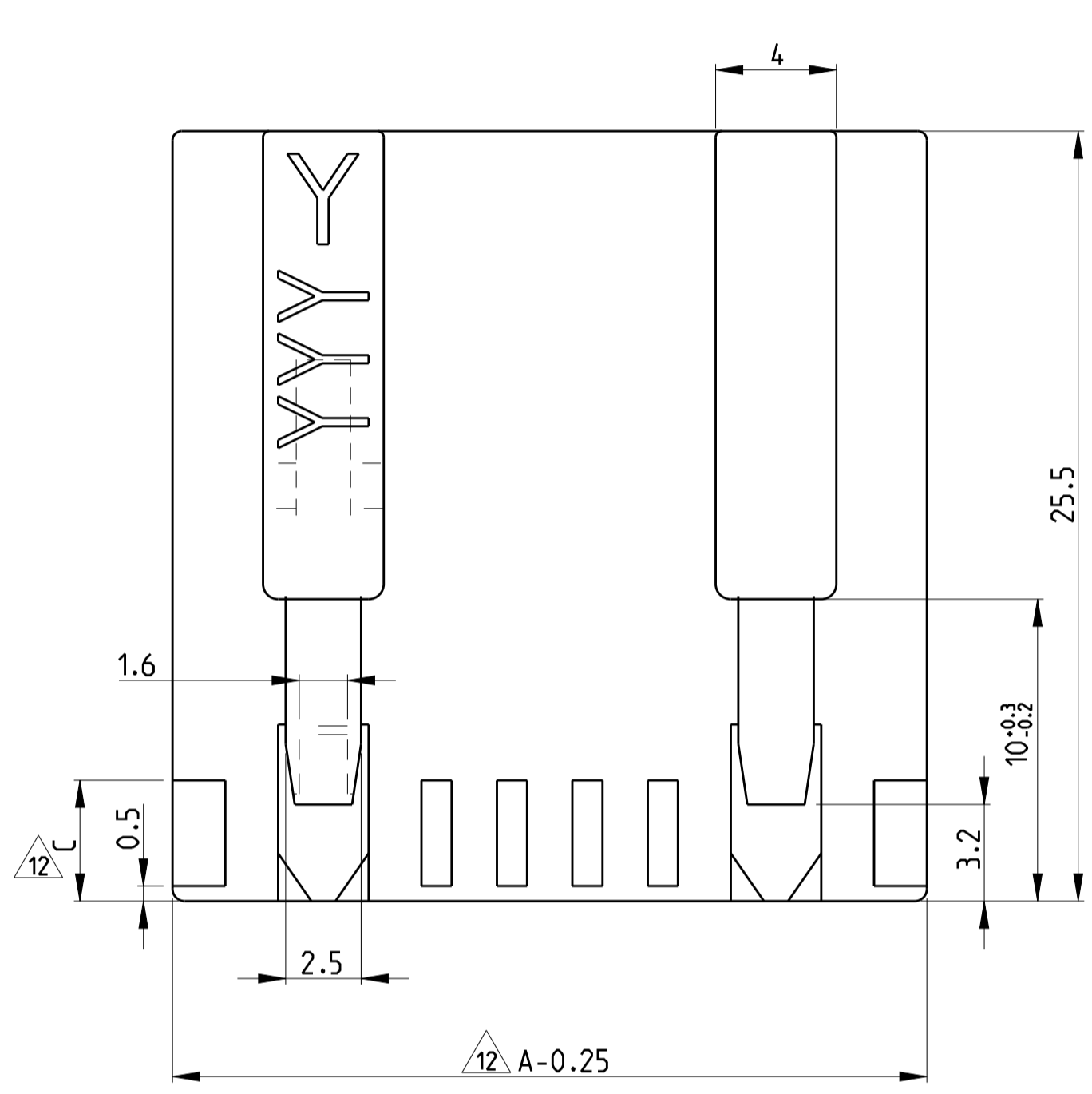
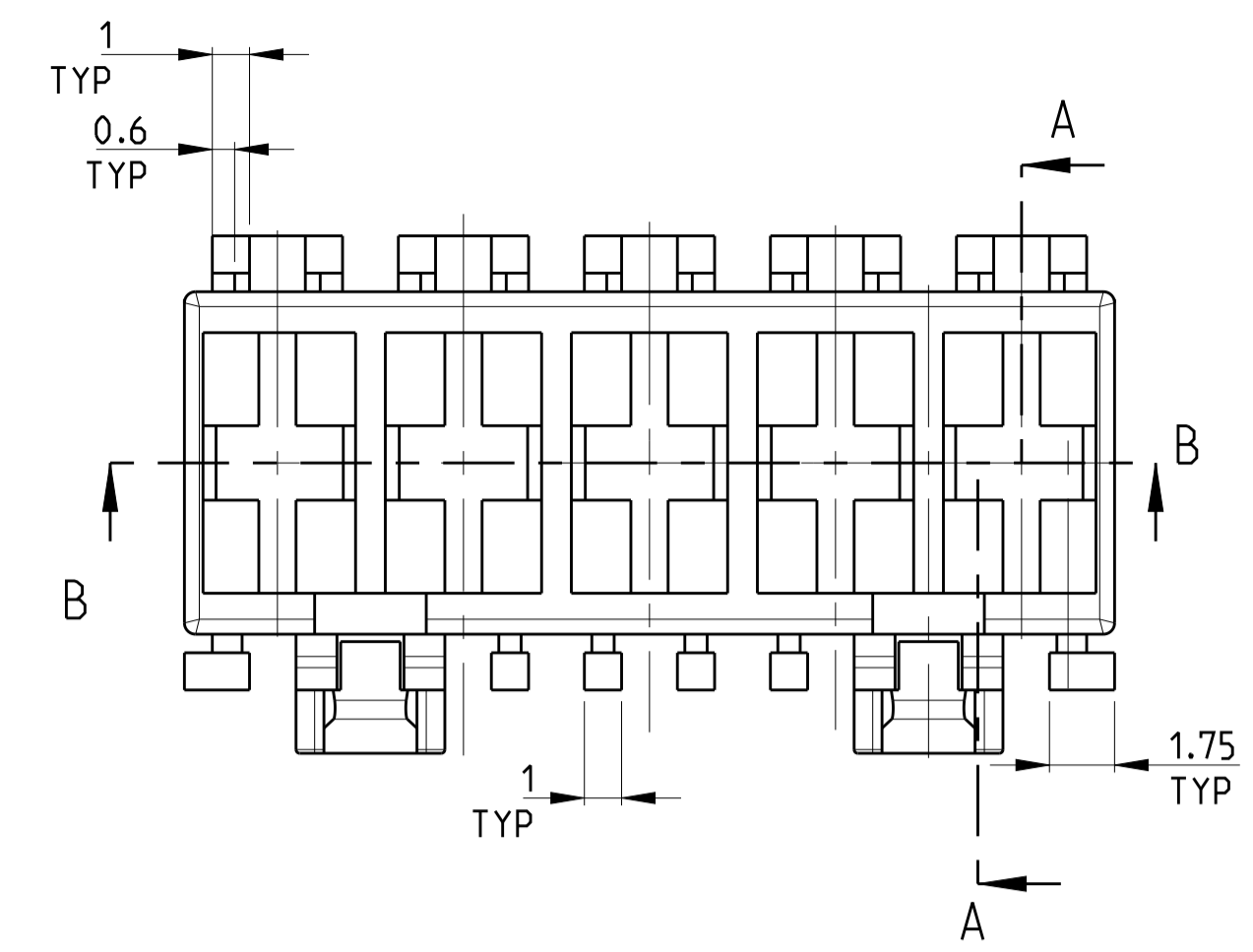
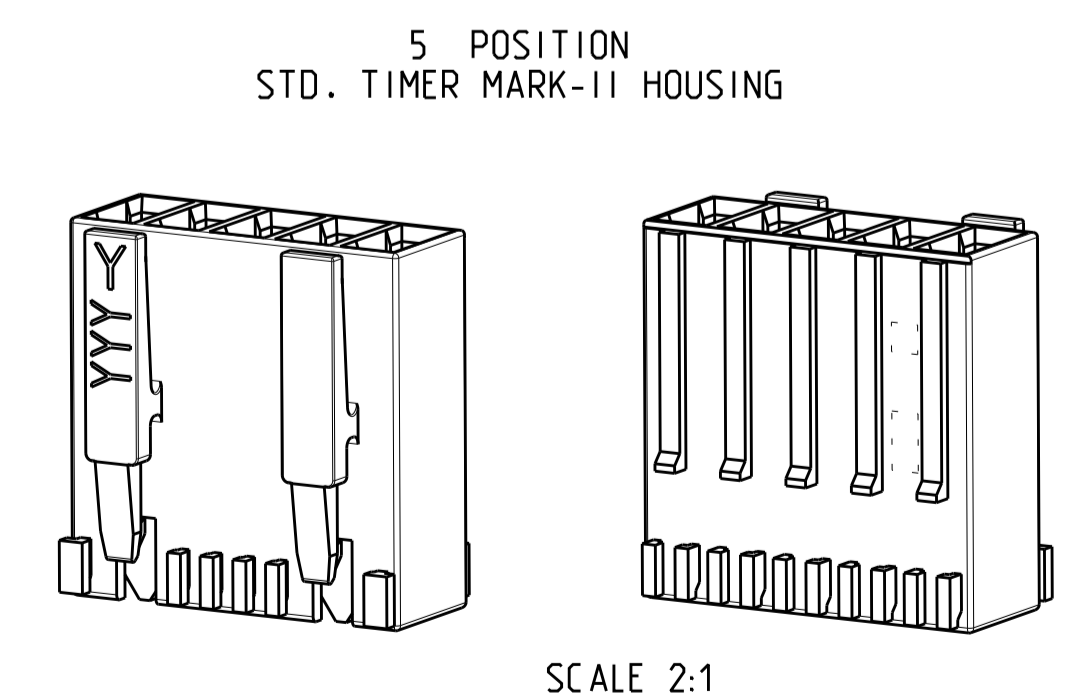


LOC	DIST	REVISIONS			
P	LTR	DESCRIPTION	DATE	DWN	APVD
C 38	ECR-18-000171		05JAN2018	KD	RR
C 39	ECR-18-001281		24FEB2018	LZ	RR
C 40	ECR-18-007974		25MAY2018	LZ	FL

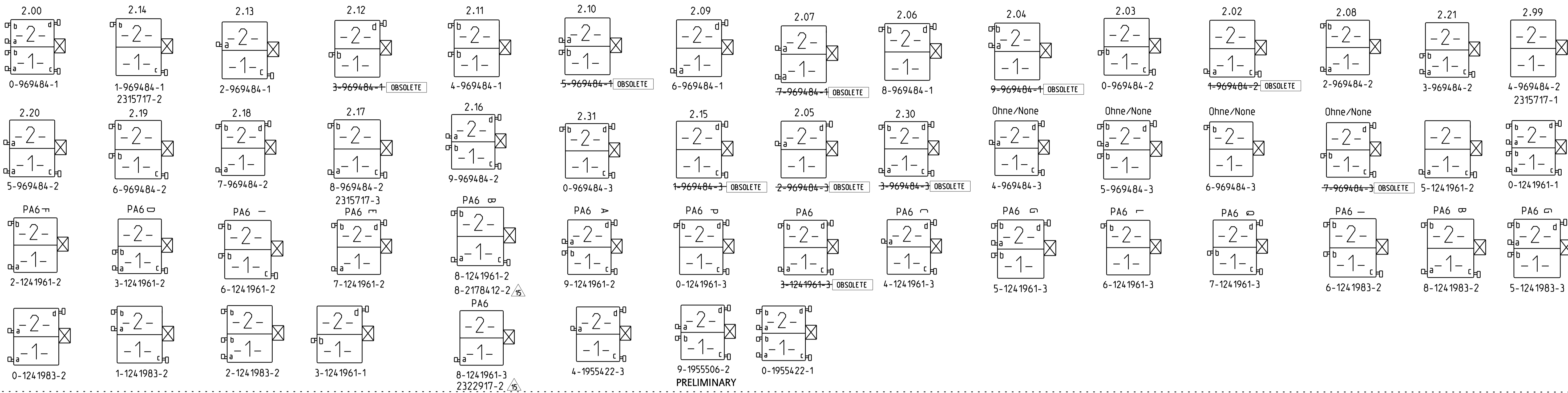


- REMARKS/Bemerkungen**
- 1 CAVITY SUITABLE FOR STANDARD TIMER CONTACTS LISTED IN PROD.SPEC. 108-18049, ITEM 3.3.2
Kammer geeignet für Standard Timer Kontakte gelistet in Prod. Spec. 108-18049, Punkt 3.3.2
 - 2 CONTACT CAVITY NO.
Kontaktkammernummerierung
 - 3 MATING STOP
Tiefenanschlag
 - 4 AREA FOR TE LOGO ACC: TO SPEC 202-36
Bereich für TE Logo nach Spec. 202-36
 - 5 POLARIZATION RIB POSITION "a" AND/OR "b"
Polarisierungsrippe Position "a" und/oder "b"
 - 6 KEYING RIB POSITION "c" AND/OR "d"
Kodierrippe Position "c" und/oder "d"
 - 6a KEYING RIB POSITION "c" AND/OR "d" AT THE END WALLS OF THE HOUSING
Kodierrippe Position "c" und/oder "d" an den Gehäusestirnseiten
 - 7 LOCKING LATCH
Rasthaken
 - 8 TE PART NO (PN)
TE Bestell Nr. (PN)
 - 9 DESIGN OF THE HOUSINGS ACC. TO RAST 5 STANDARD
Gehäuseausführung gemäss RAST 5 Vorgabe
 - 10 GENERAL SUITABLE TAB HEADER SEE RAST 5 PERFORMANCE
Generell passende Flachsteckerwannen siehe RAST 5 Vorgabe
 - 11 PACKAGING: BULK PACKAGING IN CORRUGATED BOX PN 740580-2
2 POS. 2500 PIECES PER BOX / 3 POS. 2000 PIECES PER BOX
Verpackung: Schüttgut in Versandkarton Pn 740580-2
2pol. 2500 Stück per Karton / 3pol. 2000 Stück per Karton
 - 12 DIMENSION A, B C AND D SEE SHEET 2 OF 3
 - 13 MATERIAL CORRESPONDS TO THE REQUIRMENT EN 60335
(INCL. GLOW WIRE TEST 750° WITHOUT FLAME)
Material entspricht den Anforderungen der EN 60335
(inkl. Glühdrahttest 750° ohne Flamme)
 - 14 RATIO NUMBER OF THE KEYING VERSION, INKJET PRINTED. SEE SHEET 2
Kodierungskennnummer, mit Tintenstrahldrucker aufgebracht, siehe Blatt 2
 - 15 PRELIMINARY- NOT RELEASED FOR PRODUCTION

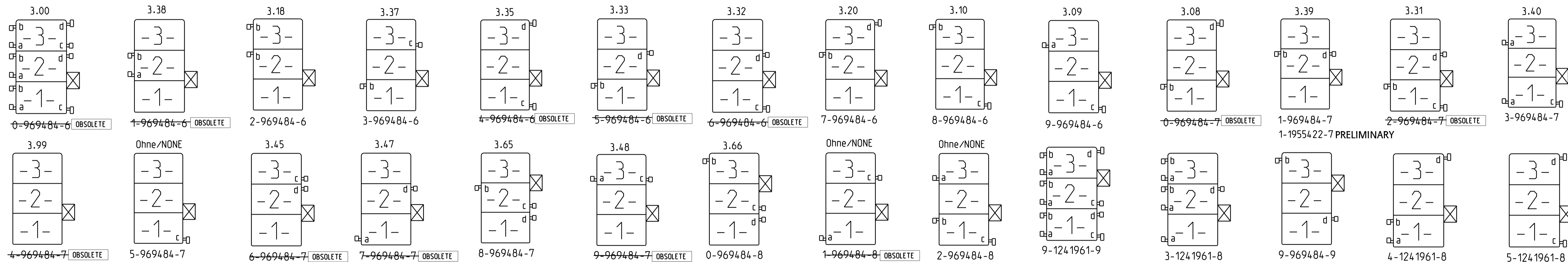


THIS DRAWING IS A CONTROLLED DOCUMENT.		DWN: Kishor M 18-10-07	TE Connectivity
DIMENSIONS: mm		CHK: K.Munz 18-10-07	
TOLERANCES UNLESS OTHERWISE SPECIFIED:		APVD: Tm Klenner 18-10-07	NAME: STANDARD TIMER HSG. RAST 5 MARK II Standard Timer Gehäuse RAST 5 Mark II
0 PLC ±0.2	1 PLC ±0.2	PRODUCT SPEC 108-18049	SIZE: CAGE CODE: DRAWING NO: A1 00779 C=1241961
2 PLC ±0.2	3 PLC ±0.2	APPLICATION SPEC	RESTRICTED TO
4 PLC ±0.2	5 PLC ±0.2		WEIGHT: -
ANGLES: -	FINISH: -		Customer Drawing
MATERIAL: SEE TABLE SHEET 2 OF 3			SCALE: 5:1 SHEET 1 OF 3 REV: C40

2 POSITION VARIANTS

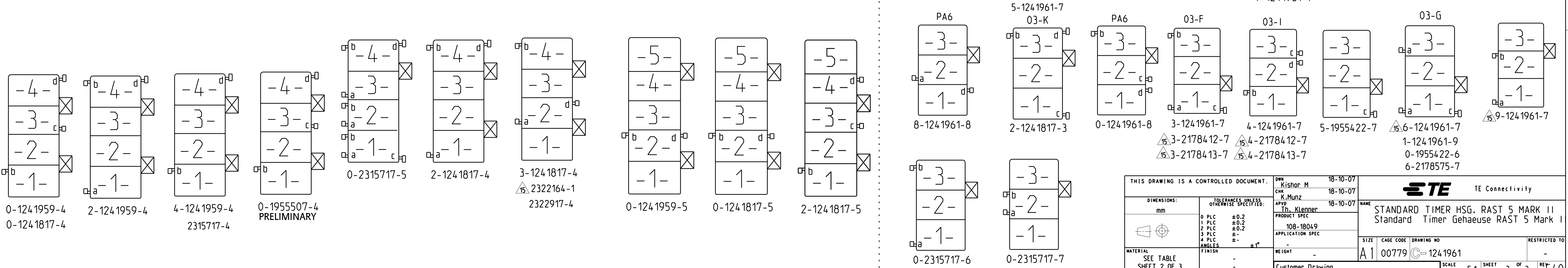


3 POSITION VARIANTS



4 POSITION VARIANTS

5 POSITION VARIANTS



THIS DRAWING IS A CONTROLLED DOCUMENT.		OWN: Kishor M. 18-10-07	 TE Connectivity
DIMENSIONS: mm		CHK: K. Muriz 18-10-07	
TOLERANCES UNLESS OTHERWISE SPECIFIED:		APVD: T. Klanner 18-10-07	NAME: STANDARD TIMER HSG. RAST 5 MARK II Standard Timer Gehäuse RAST 5 Mark II
0 PLC ±0.2		PRODUCT SPEC: 108-18049	
1 PLC ±0.2		APPLICATION SPEC: -	SIZE: A1
2 PLC ±0.2		RESTRICTED TO: -	CAGE CODE: 00779
3 PLC ±0.2		SCALE: 5:1	DRAWING NO: 1241961
4 PLC ±0.2		SHEET: 3 OF 3	REV: C40
ANGLES: -		Customer Drawing	
FINISH: -			

Mouser Electronics

Authorized Distributor

Click to View Pricing, Inventory, Delivery & Lifecycle Information:

[TE Connectivity:](#)

[9-1241961-9](#)