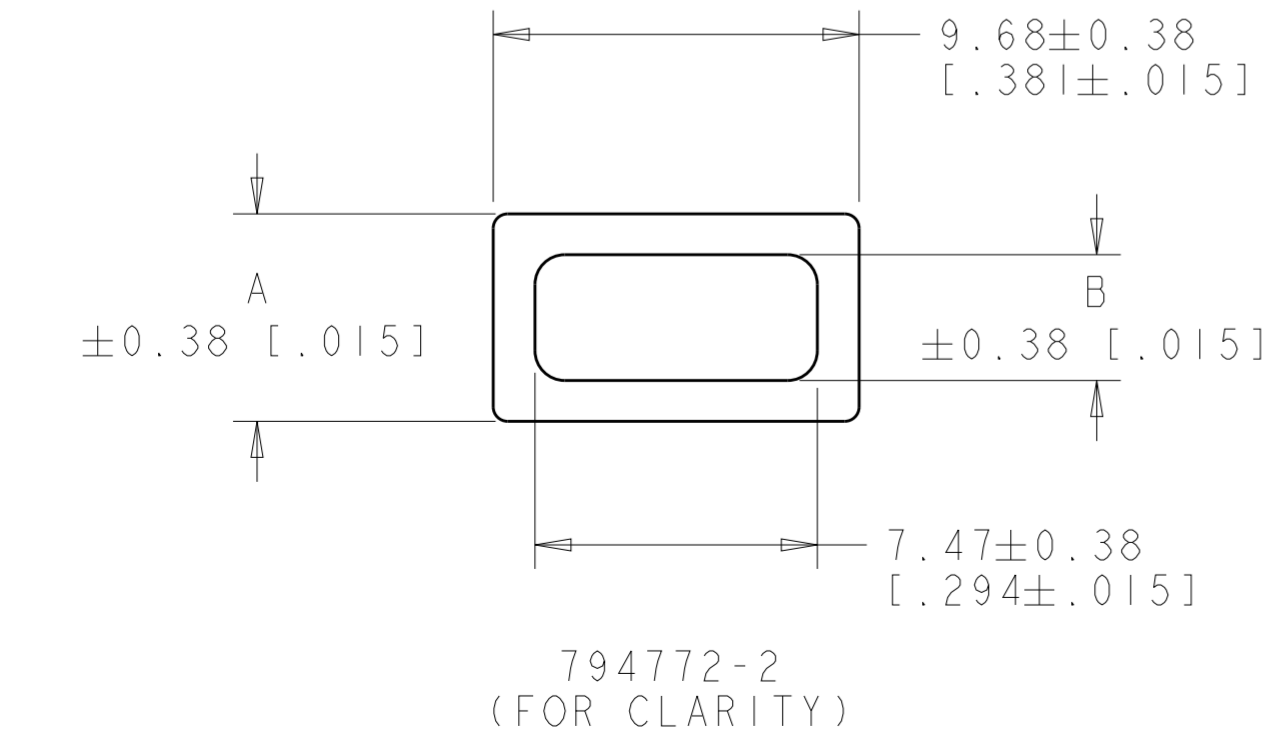
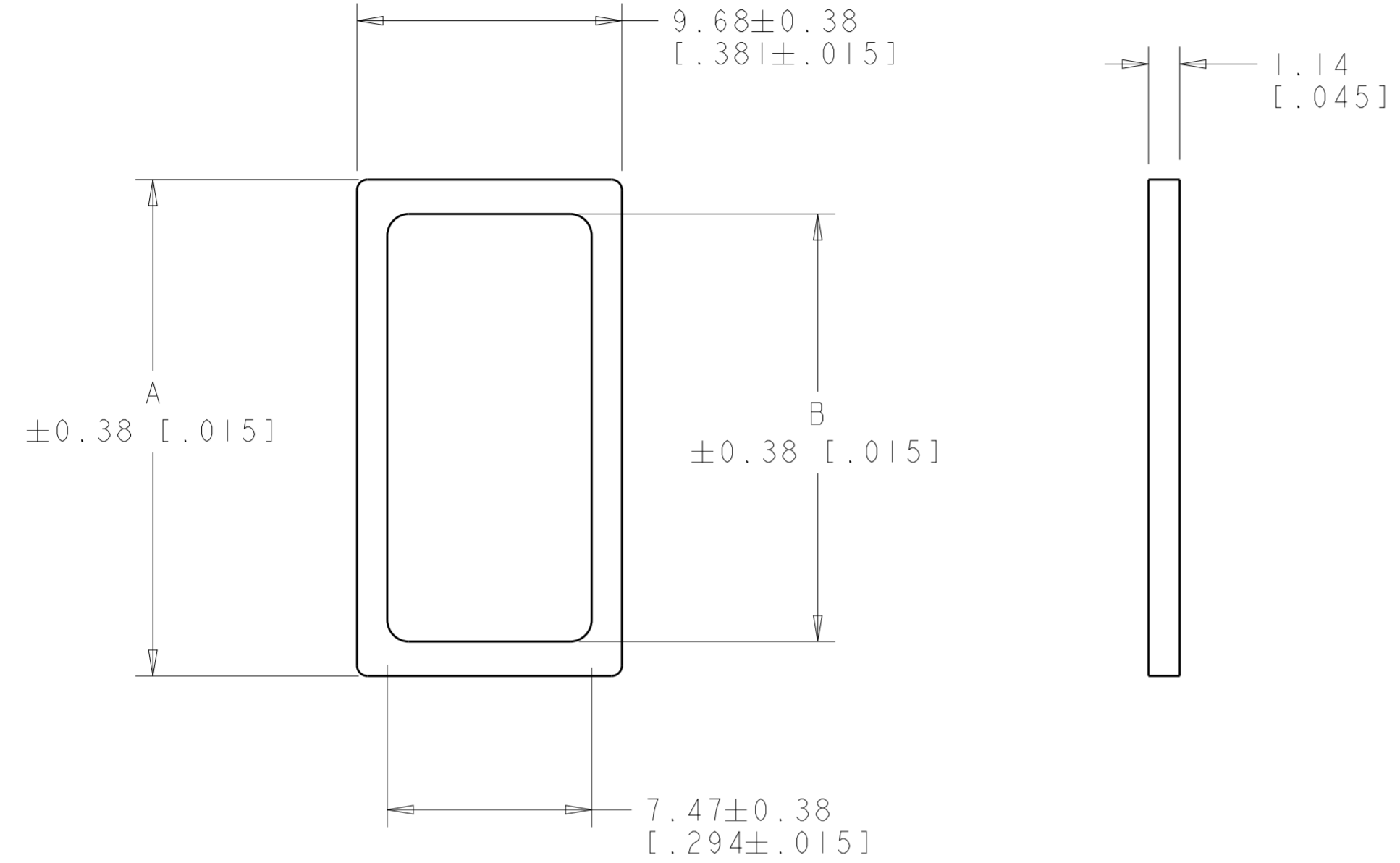


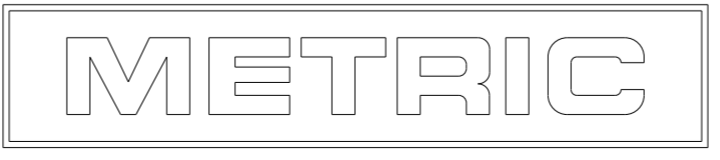
THIS DRAWING IS UNPUBLISHED. RELEASED FOR PUBLICATION 20  
 © COPYRIGHT 20 ALL RIGHTS RESERVED.

| LOC | DIST | REVISIONS |     |                           |           |     |      |
|-----|------|-----------|-----|---------------------------|-----------|-----|------|
| CM  | 00   | P         | LTR | DESCRIPTION               | DATE      | DWN | APVD |
|     |      | C         |     | REVISED PER ECO-09-028095 | 21DEC2009 | HMR | MS   |
|     |      | CI        |     | REVISED PER ECR-15-003909 | 23MAR2015 | AV  | DZ   |

- ① MATERIAL: DIECUT URETHANE FOAM, 50 SHORE A DUROMETER.
- ② PRELIMINARY PART NUMBER.
- ③ MATERIAL: DIECUT URETHANE FOAM, 30 SHORE A DUROMETER.



794772-2  
(FOR CLARITY)



| NOTE | VOLUME IN <sup>3</sup> | DIM B         | DIM A         | POSN | PART NO.   |
|------|------------------------|---------------|---------------|------|------------|
| ②③   | .009                   | 48.86 [1.924] | 51.13 [2.013] | 24   | 4-794772-3 |
| ②③   | .008                   | 44.72 [1.761] | 46.99 [1.850] | 22   | 4-794772-2 |
| ②③   | .008                   | 40.58 [1.598] | 42.84 [1.687] | 20   | 4-794772-1 |
| ②③   | .007                   | 36.49 [1.435] | 38.70 [1.524] | 18   | 4-794772-0 |
| ②③   | .007                   | 32.30 [1.272] | 34.56 [1.361] | 16   | 3-794772-9 |
| ②③   | .006                   | 28.16 [1.109] | 30.42 [1.198] | 14   | 3-794772-8 |
| ②③   | .005                   | 24.02 [0.946] | 26.28 [1.035] | 12   | 3-794772-7 |
| ②③   | .005                   | 19.89 [0.783] | 22.15 [0.872] | 10   | 3-794772-6 |
| ②③   | .004                   | 15.75 [0.620] | 18.01 [0.709] | 8    | 3-794772-5 |
| ②③   | .003                   | 11.61 [0.457] | 13.87 [0.546] | 6    | 3-794772-4 |
| ③    | .003                   | 7.47 [0.294]  | 9.68 [0.381]  | 4    | 3-794772-3 |
| ②③   | .002                   | 3.33 [0.131]  | 5.49 [0.216]  | 2    | 3-794772-2 |
| ①②   | .009                   | 48.86 [1.924] | 51.13 [2.013] | 24   | 2-794772-4 |
| ①②   | .008                   | 44.72 [1.761] | 46.99 [1.850] | 22   | 2-794772-2 |
| ①②   | .008                   | 40.58 [1.598] | 42.84 [1.687] | 20   | 2-794772-0 |
| ①②   | .007                   | 36.49 [1.435] | 38.70 [1.524] | 18   | 1-794772-8 |
| ①②   | .007                   | 32.30 [1.272] | 34.56 [1.361] | 16   | 1-794772-6 |
| ①②   | .006                   | 28.16 [1.109] | 30.42 [1.198] | 14   | 1-794772-4 |
| ①②   | .005                   | 24.02 [0.946] | 26.28 [1.035] | 12   | 1-794772-2 |
| ①    | .005                   | 19.89 [0.783] | 22.15 [0.872] | 10   | 1-794772-0 |
| ①    | .004                   | 15.75 [0.620] | 18.01 [0.709] | 8    | 794772-8   |
| ①    | .003                   | 11.61 [0.457] | 13.87 [0.546] | 6    | 794772-6   |
| ①    | .003                   | 7.47 [0.294]  | 9.68 [0.381]  | 4    | 794772-4   |
| ①    | .002                   | 3.33 [0.131]  | 5.49 [0.216]  | 2    | 794772-2   |

THIS DRAWING IS A CONTROLLED DOCUMENT.

DWN: K. WHITAKER 01FEB2001  
 CHK: C. JONES 01FEB2001  
 APVD: C. JONES 01FEB2001

DIMENSIONS: mm [INCHES]

TOLERANCES UNLESS OTHERWISE SPECIFIED:  
 0 PLC ±  
 1 PLC ±  
 2 PLC ±0.13 [0.005]  
 3 PLC ±  
 4 PLC ±  
 ANGLES ±  
 FINISH ±

MATERIAL: ①

STE TE Connectivity

NAME: PERIMETER INTERFACE SEAL, MINI UNIVERSAL MATE-N-LOK(TM)

SIZE: A2 CAGE CODE: C-794772 DRAWING NO: 794772 RESTRICTED TO: -

CUSTOMER DRAWING SCALE: 5:1 SHEET 1 OF 1 REV: CI

# Mouser Electronics

Authorized Distributor

Click to View Pricing, Inventory, Delivery & Lifecycle Information:

[TE Connectivity:](#)

[794772-6](#)