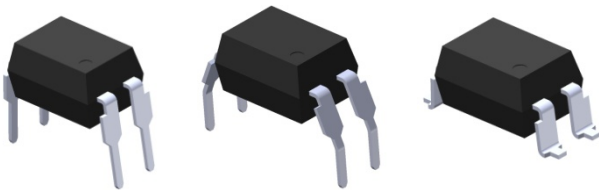
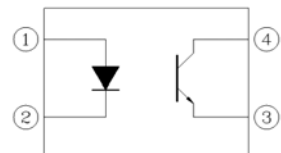


4 PIN DIP PHOTOTRANSISTOR PHOTOCOUPLER EL817-G Series



Schematic



Pin Configuration

1. Anode
2. Cathode
3. Emitter
4. Collector

Features:

- Halogens free.
- Current transfer ratio (CTR: 50~600% at $I_F = 5\text{mA}$, $V_{CE} = 5\text{V}$)
- High isolation voltage between input and output (Viso=5000 V rms)
- Creepage distance >7.62 mm
- Operating temperature up to +110°C
- Compact small outline package
- Pb free and RoHS compliant.
- UL approved (No. E214129)
- VDE approved (No. 132249)
- SEMKO approved
- NEMKO approved
- DEMKO approved
- FIMKO approved
- CSA approved
- CQC approved

Description

The EL817-G series of devices each consist of an infrared emitting diodes, optically coupled to a phototransistor detector encapsulated with green compound. The devices are in a 4-pin DIP package and available in wide-lead spacing and SMD option.

Applications

- Programmable controllers
- System appliances, measuring instruments
- Telecommunication equipments
- Home appliances, such as fan heaters, etc.
- Signal transmission between circuits of different potentials and impedances

Absolute Maximum Ratings (Ta=25°C)

	Parameter	Symbol	Rating	Unit
Input	Forward current	I_F	60	mA
	Peak forward current (1us, pulse)	I_{FP}	1	A
	Reverse voltage	V_R	6	V
	Power Dissipation		P_D	100
2.9				mW/°C
Output	Break Down Voltage	P_C	150	mW
			5.8	mW/°C
	Collector current	I_C	50	mA
	Collector-Emitter voltage	V_{CEO}	80	V
	Emitter-Collector voltage	V_{ECO}	7	V
Total Power Dissipation	P_{TOT}	200	mW	
Isolation Voltage*1	V_{ISO}	5000	V rms	
Operating Temperature	T_{OPR}	-55 to 110	°C	
Storage Temperature	T_{STG}	-55 to 125	°C	
Soldering Temperature*2	T_{SOL}	260	°C	

Notes:

*1 AC for 1 minute, R.H.= 40 ~ 60% R.H. In this test, pins 1, 2 are shorted together, and pins 3, 4 are shorted together.

*2 For 10 seconds

Electro-Optical Characteristics (Ta=25°C unless specified otherwise)

Input

Parameter	Symbol	Min.	Typ.	Max.	Unit	Condition
Forward Voltage	V_F	-	1.2	1.4	V	$I_F = 20\text{mA}$
Reverse Current	I_R	-	-	10	μA	$V_R = 4\text{V}$
Input capacitance	C_{in}	-	30	250	pF	$V = 0, f = 1\text{kHz}$

Output

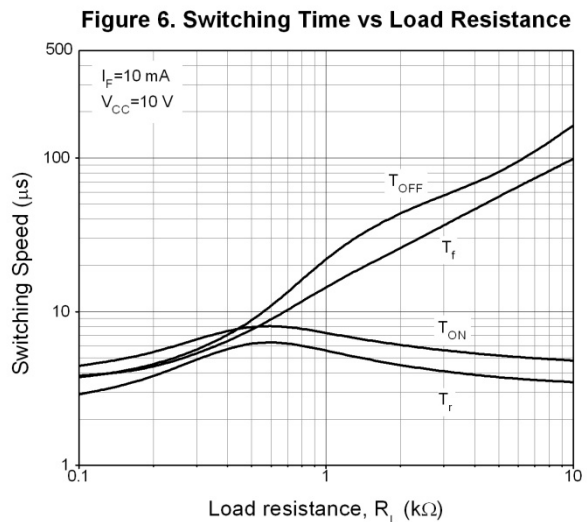
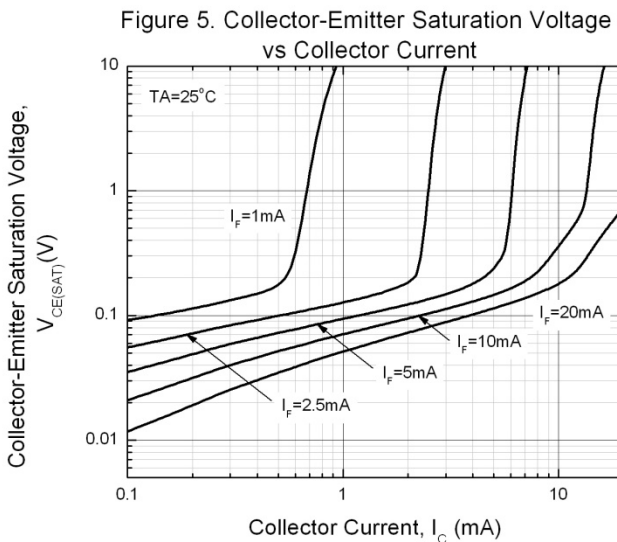
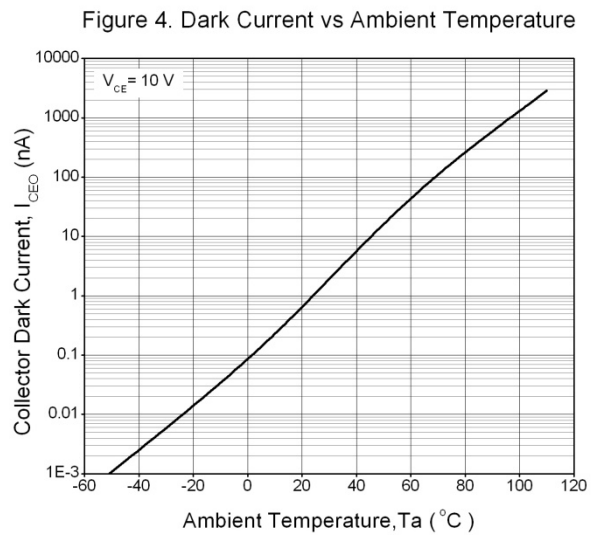
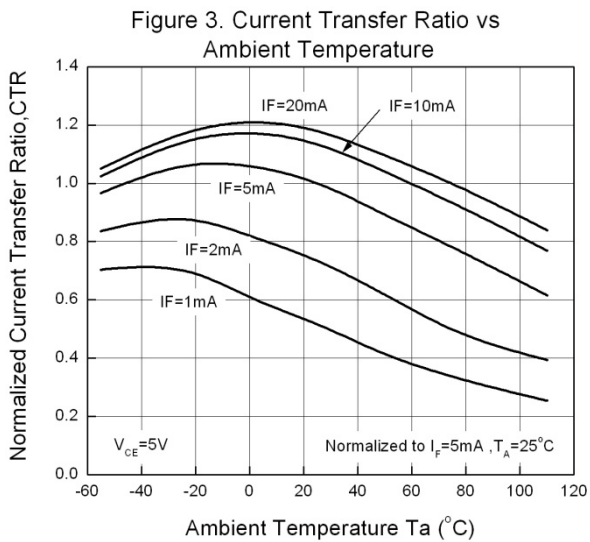
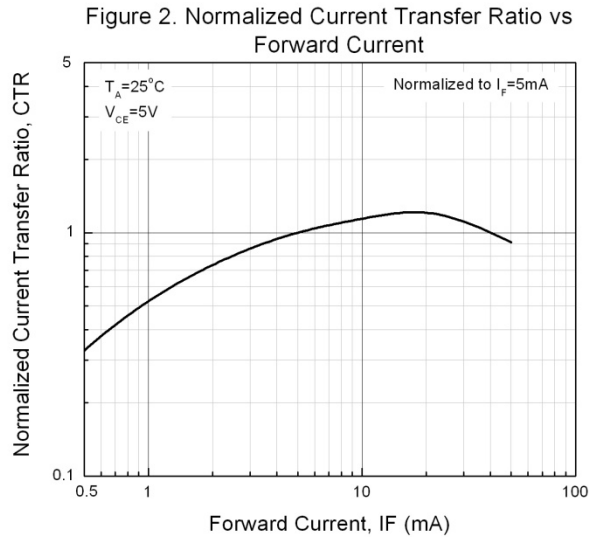
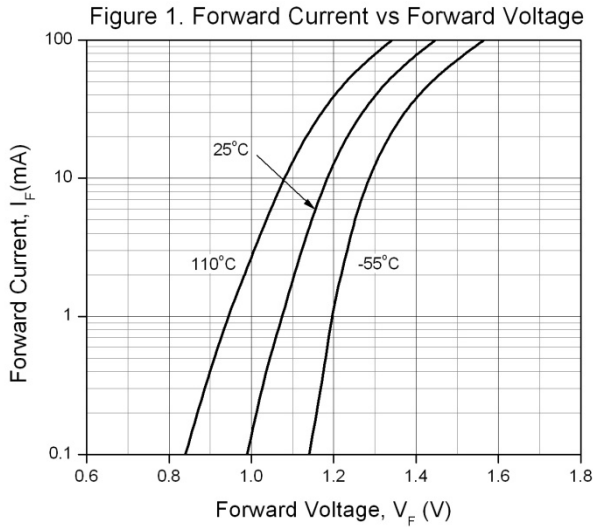
Parameter	Symbol	Min	Typ.	Max.	Unit	Condition
Collector-Emitter dark current	I_{CEO}	-	-	100	nA	$V_{CE} = 20\text{V}, I_F = 0\text{mA}$
Collector-Emitter breakdown voltage	BV_{CEO}	80	-	-	V	$I_C = 0.1\text{mA}$
Emitter-Collector breakdown voltage	BV_{ECO}	7	-	-	V	$I_E = 0.1\text{mA}$

Transfer Characteristics

Parameter	Symbol	Min	Typ.	Max.	Unit	Condition
Current Transfer ratio	EL817	50	-	600	%	$I_F = 5\text{mA}, V_{CE} = 5\text{V}$
	EL817A	80	-	160		
	EL817B	130	-	260		
	EL817C	200	-	400		
	EL817D	300	-	600		
	EL817X	100	-	200		
	EL817Y	150	-	300		
Collector-Emitter saturation voltage	$V_{CE(sat)}$	-	0.1	0.2	V	$I_F = 20\text{mA}, I_C = 1\text{mA}$
Isolation resistance	R_{IO}	5×10^{10}	-	-	Ω	$V_{IO} = 500\text{Vdc}, 40\sim 60\% \text{ R.H.}$
Floating capacitance	C_{IO}	-	0.6	1.0	pF	$V_{IO} = 0, f = 1\text{MHz}$
Cut-off frequency	f_c	-	80	-	kHz	$V_{CE} = 5\text{V}, I_C = 2\text{mA}, R_L = 100\Omega, -3\text{dB}$
Rise time	t_r	-	6	18	μs	$V_{CE} = 2\text{V}, I_C = 2\text{mA}, R_L = 100\Omega$
Fall time	t_f	-	8	18	μs	

* Typical values at $T_a = 25^\circ\text{C}$

Typical Electro-Optical Characteristics Curves



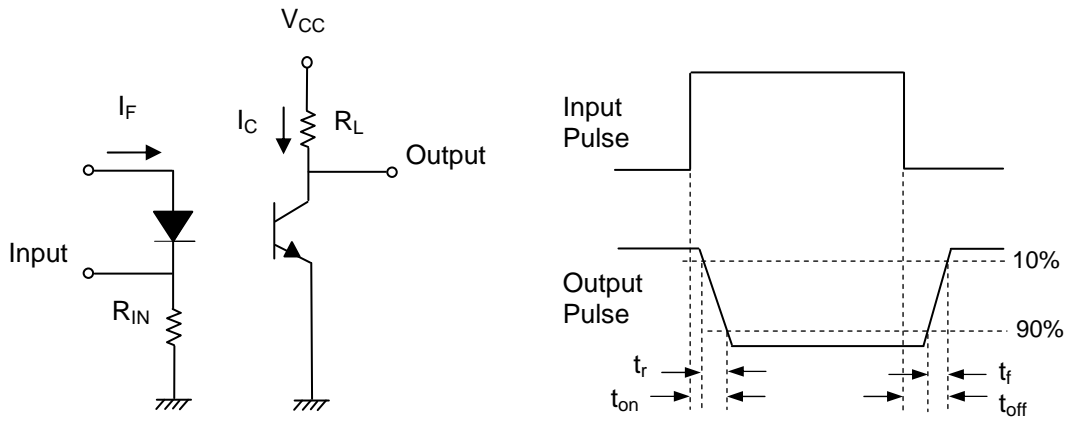


Figure 7. Switching Time Test Circuit & Waveforms

Order Information

Part Number

EL817X(Y)(Z)-FVG

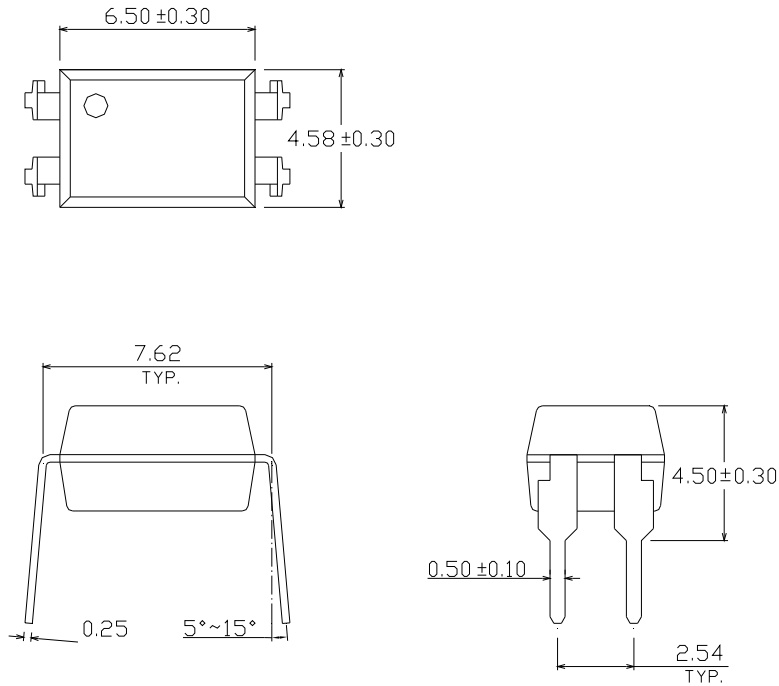
Note

- X = Lead form option (S, S1, S2, M or none)
- Y = CTR Rank (A, B, C, D, X, Y or none)
- Z = Tape and reel option (TA, TB, TU, TD or none).
- F = Lead frame option (F: Iron, None: copper)
- V = VDE safety (optional).
- G = Halogens free

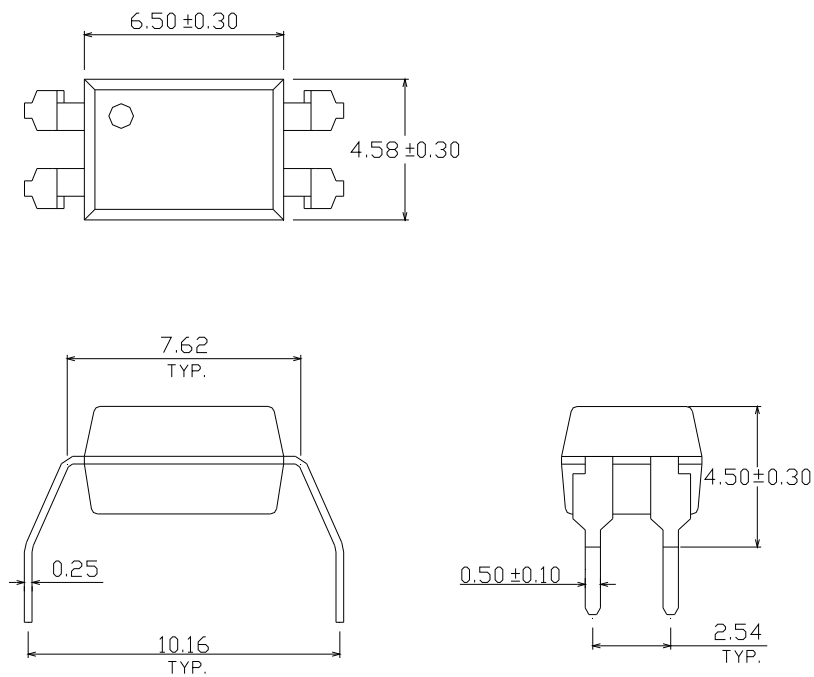
Option	Description	Packing quantity
None	Standard DIP-4	100 units per tube
M	Wide lead bend (0.4 inch spacing)	100 units per tube
S (TA)	Surface mount lead form + TA tape & reel option	1000 units per reel
S (TB)	Surface mount lead form + TB tape & reel option	1000 units per reel
S1 (TA)	Surface mount lead form (low profile) + TA tape & reel option	1000 units per reel
S1 (TB)	Surface mount lead form (low profile) + TB tape & reel option	1000 units per reel
S2 (TA)	Surface mount lead form (Gull-wing) + TA tape & reel option	500 units per reel
S2 (TB)	Surface mount lead form (Gull-wing) + TB tape & reel option	500 units per reel
S (TU)	Surface mount lead form + TU tape & reel option	1500 units per reel
S (TD)	Surface mount lead form + TD tape & reel option	1500 units per reel
S1 (TU)	Surface mount lead form (low profile) + TU tape & reel option	1500 units per reel
S1 (TD)	Surface mount lead form (low profile) + TD tape & reel option	1500 units per reel

Package Dimension (Dimensions in mm)

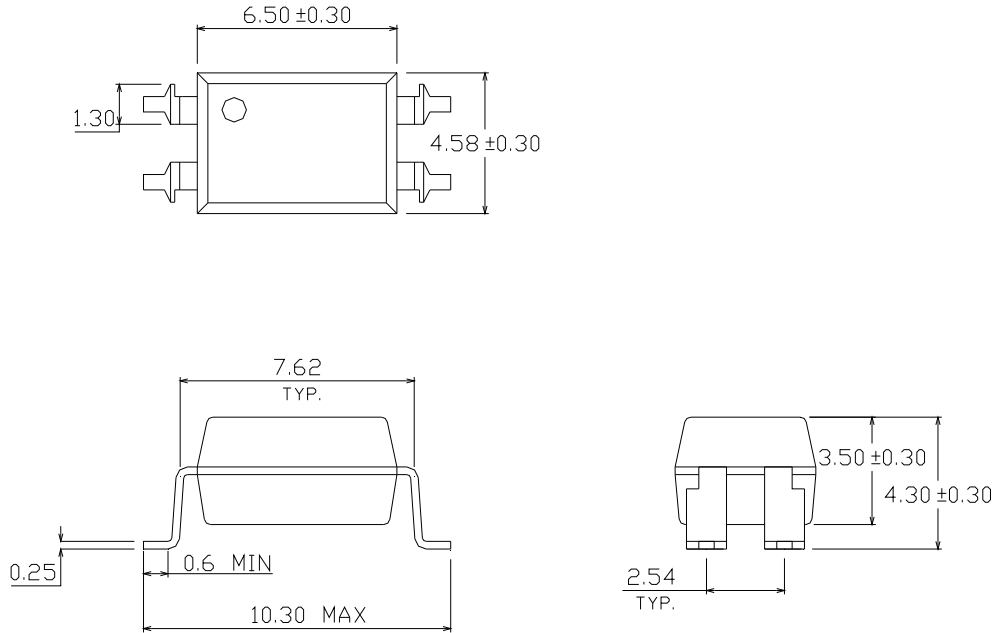
Standard DIP Type



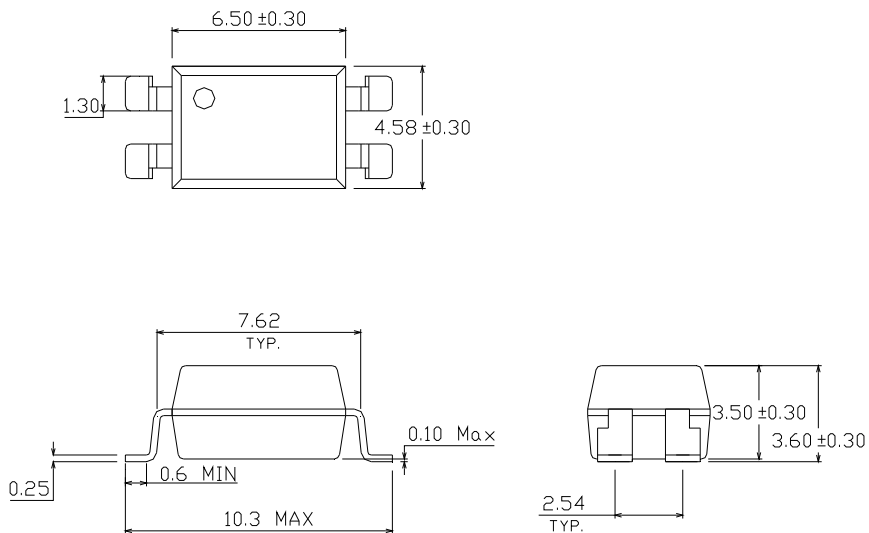
Option M Type



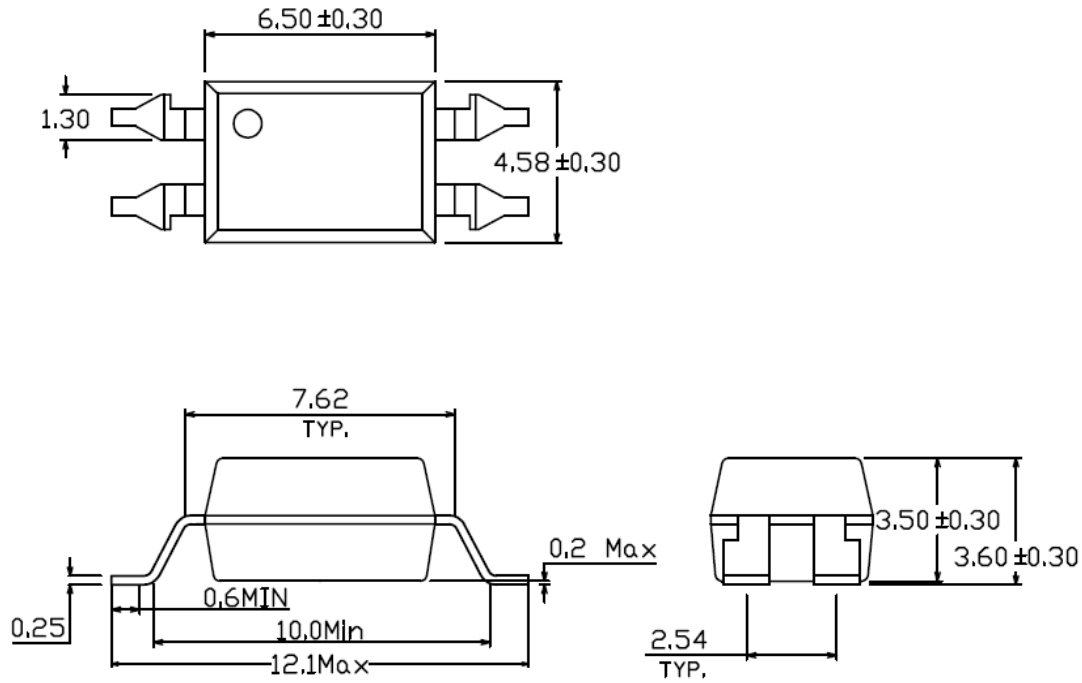
Option S Type



Option S1 Type

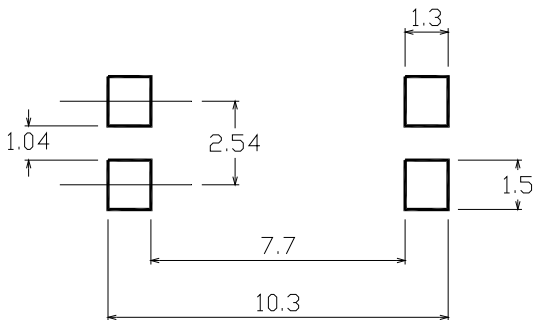


Option S2 Type

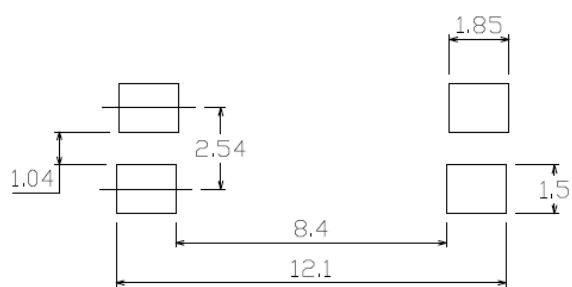


Recommended pad layout for surface mount leadform

For S and S1 option



For S2 option



Device Marking

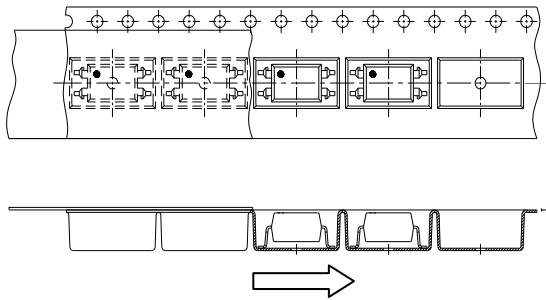


Notes

EL	denotes EVERLIGHT
817	denotes Device Number
R	denotes CTR Rank (A, B, C, D or none)
Y	denotes 1 digit Year code
WW	denotes 2 digit Week code
V	denotes VDE (optional)

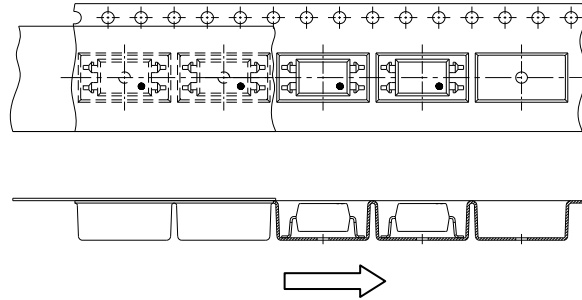
Tape & Reel Packing Specifications

Option TA



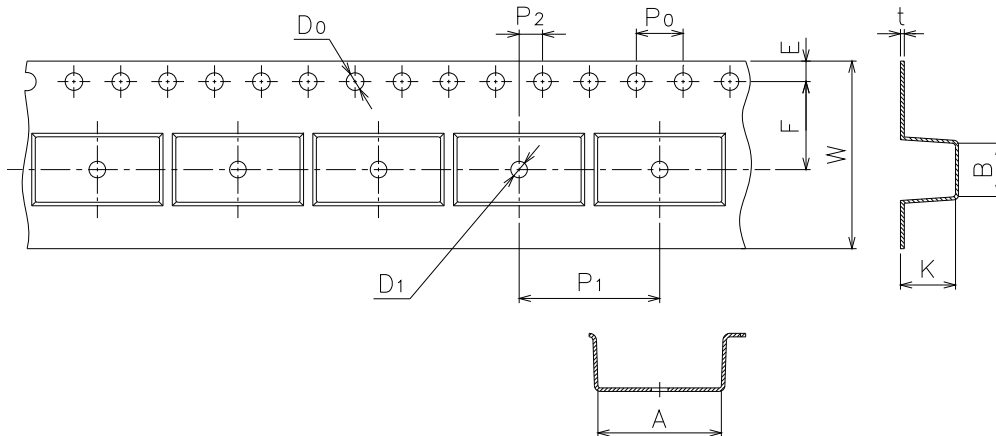
Direction of feed from reel

Option TB



Direction of feed from reel

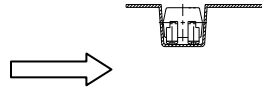
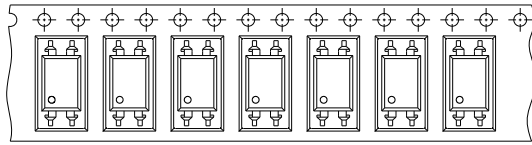
Tape dimensions



Tape dimensions

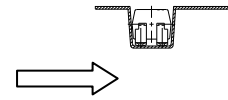
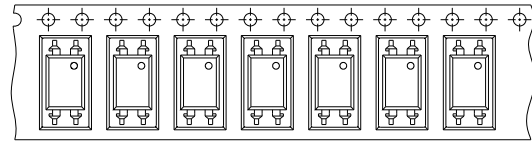
Dimension No.	A	B	Do	D1	E	F
Dimension (mm)	10.5±0.1	4.65±0.1	1.55±0.1	1.50±0.1	1.75±0.1	7.5±0.1
Dimension (mm) S2	12.15±0.1	4.65±0.1	1.55±0.1	1.50±0.1	1.75±0.1	7.5±0.1
Dimension No.	Po	P1	P2	t	W	K
Dimension (mm)	4.0±0.1	12.0±0.1	2.0±0.1	0.35±0.1	16.0±0.3	4.75±0.1
Dimension (mm) S2	4.0±0.1	16.0±0.1	2.0±0.1	0.35±0.1	16.0±0.3	3.90±0.1

Option TD



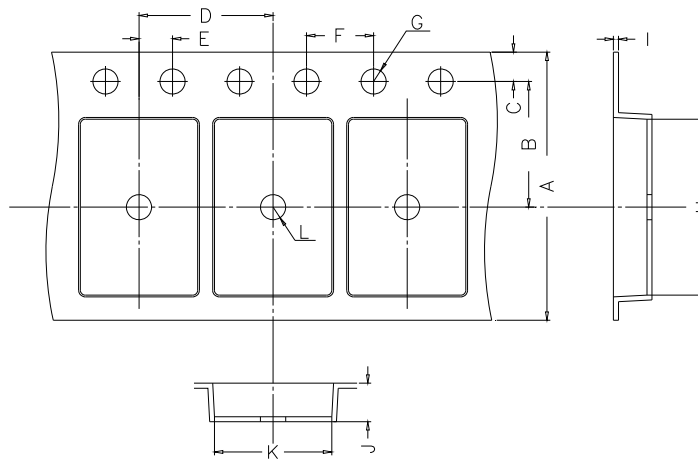
Direction of feed from reel

Option TU



Direction of feed from reel

Tape dimensions

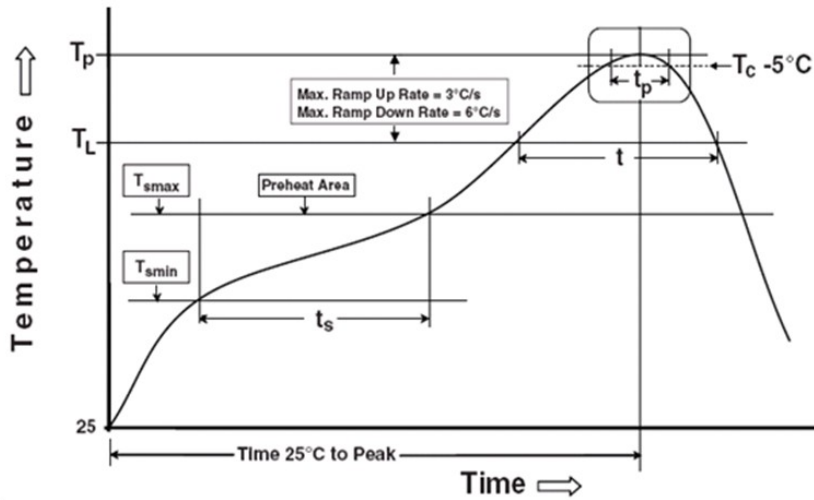


Dimension No.	A	B	C	D	E	F
Dimension(mm)	16.00±0.3	7.5±0.1	1.75±0.1	8.0±0.1	2.0±0.1	4.0±0.1
Dimension No.	G	H	I	J	K	L
Dimension(mm)	1.55±0.05	10.4±0.1	0.4±0.05	4.60±0.1	5.1±0.1	1.55±0.05

Precautions for Use

1. Soldering Condition

1.1 (A) Maximum Body Case Temperature Profile for evaluation of Reflow Profile



Note:

Reference: IPC/JEDEC J-STD-020D

Preheat

Temperature min (T_{smin})	150 °C
Temperature max (T_{smax})	200°C
Time (T_{smin} to T_{smax}) (t_s)	60-120 seconds
Average ramp-up rate (T_{smax} to T_p)	3 °C/second max

Other

Liquidus Temperature (T_L)	217 °C
Time above Liquidus Temperature (t_L)	60-100 sec
Peak Temperature (T_p)	260°C
Time within 5 °C of Actual Peak Temperature: $T_p - 5^\circ\text{C}$	30 s
Ramp- Down Rate from Peak Temperature	6°C /second max.
Time 25°C to peak temperature	8 minutes max.
Reflow times	3 times

DISCLAIMER

1. Above specification may be changed without notice. EVERLIGHT will reserve authority on material change for above specification.
2. When using this product, please observe the absolute maximum ratings and the instructions for using outlined in these specification sheets. EVERLIGHT assumes no responsibility for any damage resulting from use of the product which does not comply with the absolute maximum ratings and the instructions included in these specification sheets.
3. These specification sheets include materials protected under copyright of EVERLIGHT corporation. Please don't reproduce or cause anyone to reproduce them without EVERLIGHT's consent.

Mouser Electronics

Authorized Distributor

Click to View Pricing, Inventory, Delivery & Lifecycle Information:

Everlight:

[EL817\(A\)-G](#) [EL817\(A\)-VG](#) [EL817\(B\)-G](#) [EL817\(B\)-VG](#) [EL817\(C\)-G](#) [EL817\(C\)-VG](#) [EL817\(D\)-G](#) [EL817\(D\)-VG](#)
[EL817\(M\)\(A\)-VG](#) [EL817\(M\)\(A\)-G](#) [EL817\(M\)\(B\)-VG](#) [EL817\(M\)\(B\)-G](#) [EL817\(M\)\(C\)-V](#) [EL817\(M\)\(C\)-G](#) [EL817\(M\)\(C\)-VG](#) [EL817\(M\)\(D\)-VG](#) [EL817\(M\)\(D\)-G](#) [EL817\(M\)-G](#) [EL817\(M\)-VG](#) [EL817\(S\)\(A\)\(TA\)-G](#) [EL817\(S\)\(A\)\(TA\)-VG](#)
[EL817\(S\)\(A\)\(TB\)-G](#) [EL817\(S\)\(A\)\(TB\)-VG](#) [EL817\(S\)\(A\)\(TD\)-G](#) [EL817\(S\)\(A\)\(TD\)-VG](#) [EL817\(S\)\(A\)\(TU\)-G](#) [EL817\(S\)\(A\)\(TU\)-VG](#) [EL817\(S\)\(B\)\(TA\)-G](#) [EL817\(S\)\(B\)\(TA\)-VG](#) [EL817\(S\)\(B\)\(TB\)-G](#) [EL817\(S\)\(B\)\(TB\)-VG](#)
[EL817\(S\)\(B\)\(TD\)-G](#) [EL817\(S\)\(B\)\(TD\)-VG](#) [EL817\(S\)\(B\)\(TU\)-G](#) [EL817\(S\)\(B\)\(TU\)-VG](#) [EL817\(S\)\(C\)\(TA\)-G](#) [EL817\(S\)\(C\)\(TA\)-VG](#) [EL817\(S\)\(C\)\(TB\)-G](#) [EL817\(S\)\(C\)\(TB\)-VG](#) [EL817\(S\)\(C\)\(TD\)-G](#) [EL817\(S\)\(C\)\(TD\)-VG](#) [EL817\(S\)\(C\)\(TU\)-G](#) [EL817\(S\)\(C\)\(TU\)-VG](#) [EL817\(S\)\(D\)\(TA\)-G](#) [EL817\(S\)\(D\)\(TA\)-VG](#) [EL817\(S\)\(D\)\(TB\)-G](#) [EL817\(S\)\(D\)\(TB\)-VG](#) [EL817\(S\)\(D\)\(TD\)-G](#) [EL817\(S\)\(D\)\(TD\)-VG](#) [EL817\(S\)\(D\)\(TU\)-G](#) [EL817\(S\)\(D\)\(TU\)-VG](#)
[EL817\(S\)\(TA\)-G](#) [EL817\(S\)\(TA\)-VG](#) [EL817\(S\)\(TB\)-G](#) [EL817\(S\)\(TB\)-VG](#) [EL817\(S\)\(TD\)-G](#) [EL817\(S\)\(TD\)-VG](#) [EL817\(S\)\(TU\)-G](#) [EL817\(S\)\(TU\)-VG](#) [EL817\(S1\)\(A\)\(TA\)-G](#) [EL817\(S1\)\(A\)\(TA\)-VG](#) [EL817\(S1\)\(A\)\(TB\)-G](#) [EL817\(S1\)\(A\)\(TB\)-VG](#) [EL817\(S1\)\(A\)\(TD\)-G](#) [EL817\(S1\)\(A\)\(TD\)-VG](#) [EL817\(S1\)\(A\)\(TU\)-G](#) [EL817\(S1\)\(A\)\(TU\)-VG](#) [EL817\(S1\)\(B\)\(TA\)-G](#) [EL817\(S1\)\(B\)\(TA\)-VG](#) [EL817\(S1\)\(B\)\(TB\)-G](#) [EL817\(S1\)\(B\)\(TB\)-VG](#) [EL817\(S1\)\(B\)\(TD\)-G](#) [EL817\(S1\)\(B\)\(TD\)-VG](#) [EL817\(S1\)\(B\)\(TU\)-G](#) [EL817\(S1\)\(B\)\(TU\)-VG](#) [EL817\(S1\)\(C\)\(TA\)-G](#) [EL817\(S1\)\(C\)\(TA\)-VG](#) [EL817\(S1\)\(C\)\(TB\)-G](#) [EL817\(S1\)\(C\)\(TB\)-VG](#) [EL817\(S1\)\(C\)\(TD\)-G](#) [EL817\(S1\)\(C\)\(TD\)-VG](#) [EL817\(S1\)\(C\)\(TU\)-G](#) [EL817\(S1\)\(C\)\(TU\)-VG](#) [EL817\(S1\)\(D\)\(TA\)-G](#) [EL817\(S1\)\(D\)\(TA\)-VG](#) [EL817\(S1\)\(D\)\(TB\)-G](#) [EL817\(S1\)\(D\)\(TB\)-VG](#) [EL817\(S1\)\(D\)\(TD\)-G](#) [EL817\(S1\)\(D\)\(TD\)-VG](#) [EL817\(S1\)\(D\)\(TU\)-G](#) [EL817\(S1\)\(D\)\(TU\)-VG](#) [EL817\(S1\)\(TA\)-G](#) [EL817\(S1\)\(TA\)-VG](#) [EL817\(S1\)\(TB\)-G](#) [EL817\(S1\)\(TB\)-VG](#) [EL817\(S1\)\(TD\)-G](#) [EL817\(S1\)\(TD\)-VG](#) [EL817\(S1\)\(TU\)-G](#) [EL817\(S1\)\(TU\)-VG](#) [EL817-VG](#)