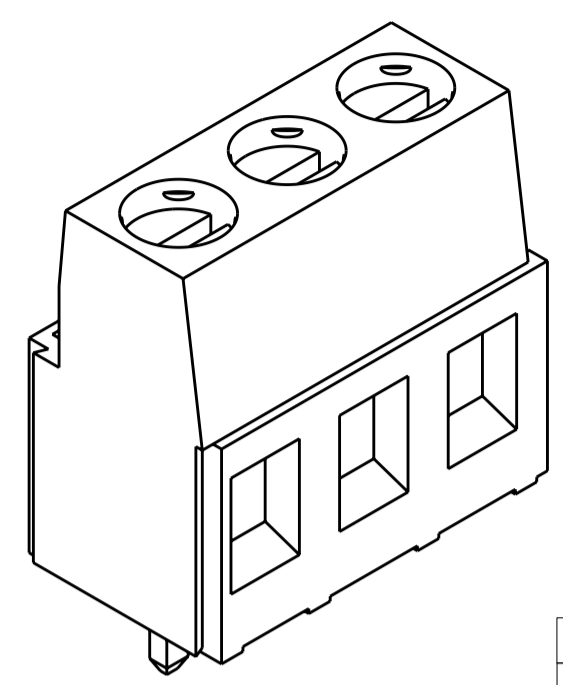
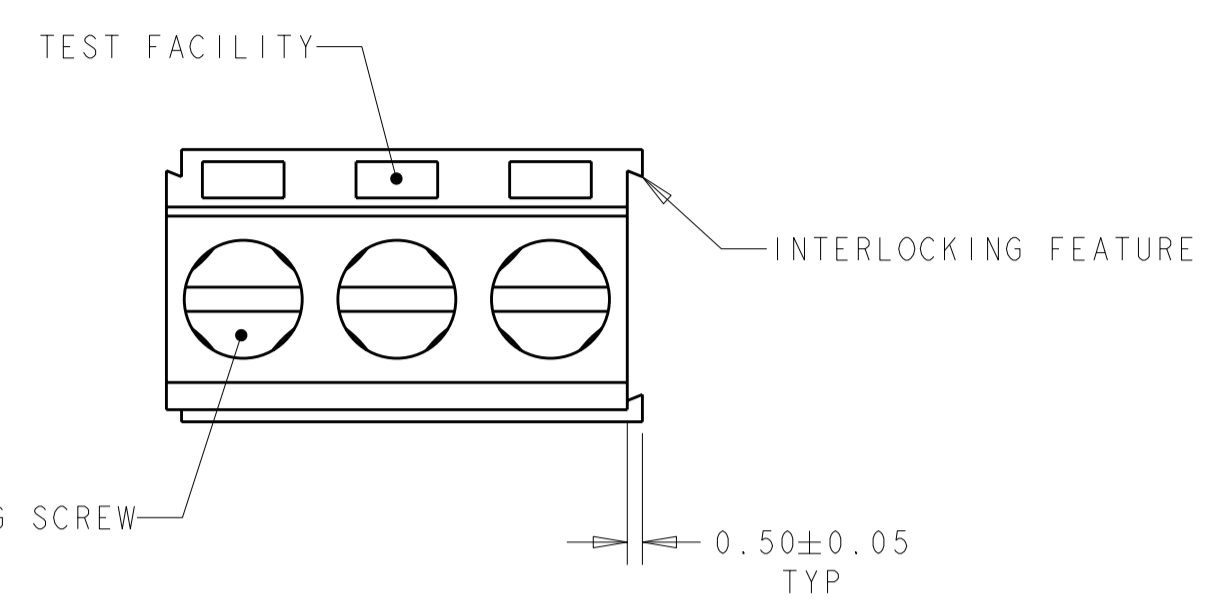


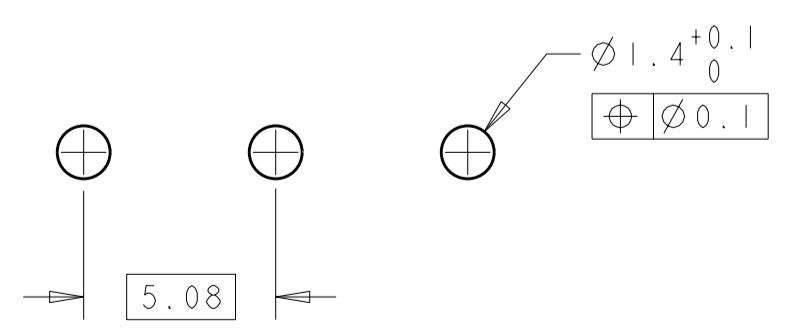
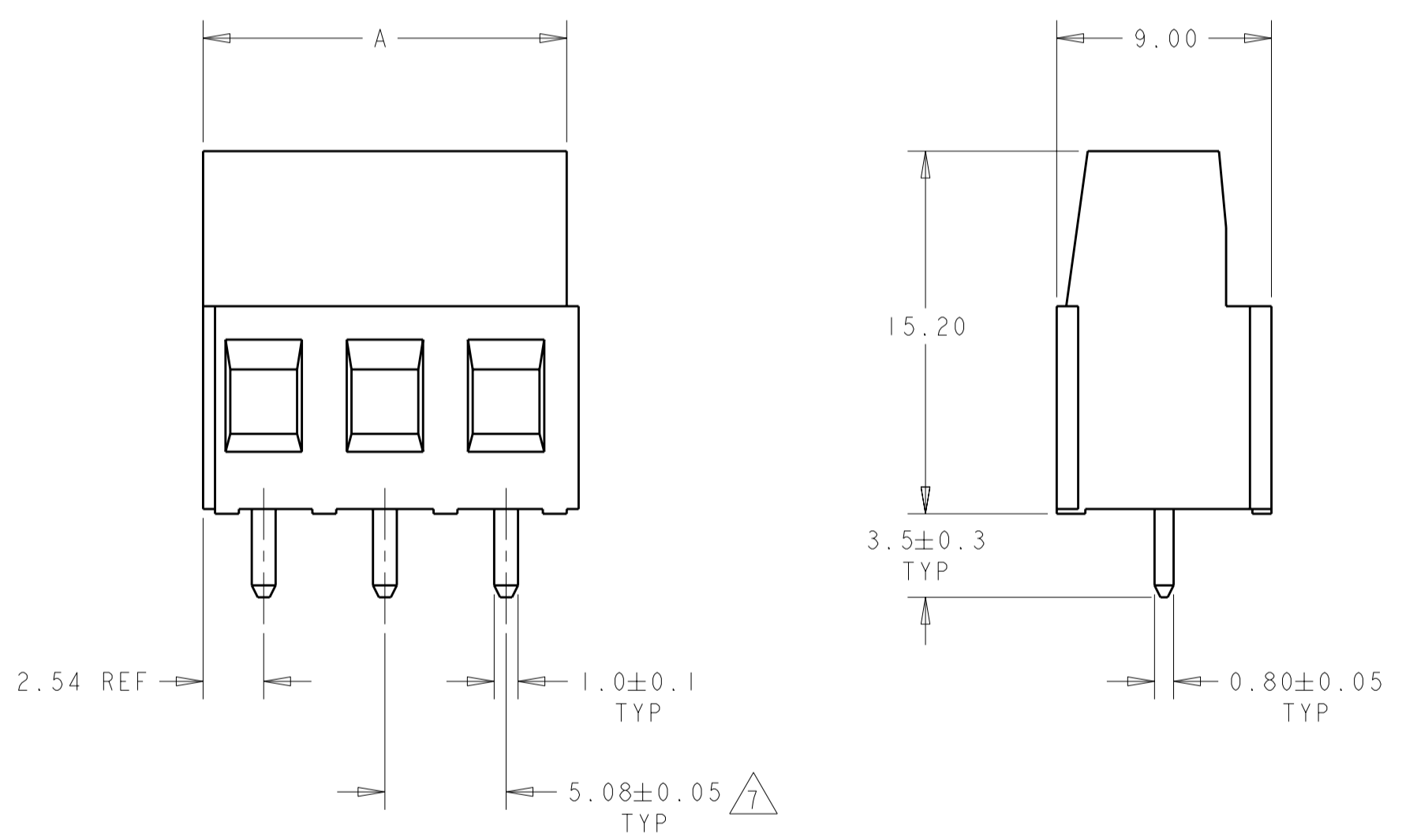
THIS DRAWING IS UNPUBLISHED. RELEASED FOR PUBLICATION 20  
 © COPYRIGHT 20 BY - ALL RIGHTS RESERVED.

REVISIONS					
P	LTR	DESCRIPTION	DATE	DWN	APVD
	H6	REVISED PER ECO-11-005027	14MAR2011	RK	HMR



282841-3 AS SHOWN  
 PRELIMINARY

	PRELIMINARY		SEE SHEET 2	GREEN	15.24	3	4-282841-0
DETAIL C	PRELIMINARY	-	-	GREEN	25.40	5	3-282841-9
DETAIL B	PRELIMINARY	-	-	GREEN	20.32	4	3-282841-8
	PRELIMINARY	STAINLESS STEEL	-	GREEN	40.64	8	3-282841-7
	PRELIMINARY	STAINLESS STEEL	-	GREEN	20.32	4	3-282841-6
	PRELIMINARY	STAINLESS STEEL	-	GREEN	15.24	3	3-282841-5
	PRELIMINARY	STAINLESS STEEL	-	GREEN	10.16	2	3-282841-4
			SEE SHEET 2	GREEN	45.72	9	3-282841-3
			SEE SHEET 2	GREEN	66.04	13	3-282841-2
			SEE SHEET 2	GREEN	20.32	4	3-282841-1
			SEE SHEET 2	GREEN	60.96	12	3-282841-0
			-	BLACK	127.0	25	2-282841-9
			-	GREEN	127.0	25	2-282841-8
			-	GREEN	121.92	24	2-282841-7
			-	GREEN	116.84	23	2-282841-6
			-	GREEN	111.76	22	2-282841-5
			-	GREEN	106.68	21	2-282841-4
			-	GREEN	101.60	20	2-282841-3
			-	GREEN	96.52	19	2-282841-2
			-	GREEN	91.44	18	2-282841-1
			-	GREEN	86.36	17	2-282841-0
			-	GREEN	81.28	16	1-282841-9
			-	GREEN	76.20	15	1-282841-8
			-	GREEN	71.12	14	1-282841-7
			-	GREEN	66.04	13	1-282841-6
			SEE SHEET 2	GREEN	40.64	8	1-282841-5
			SEE SHEET 2	GREEN	35.56	7	1-282841-4
			-	BLACK	35.56	7	1-282841-3
			-	GREEN	60.96	12	1-282841-2
			-	GREEN	55.88	11	1-282841-1
			-	GREEN	50.80	10	1-282841-0
			-	GREEN	45.72	9	282841-9
			-	GREEN	40.64	8	282841-8
			-	GREEN	35.56	7	282841-7
			-	GREEN	30.48	6	282841-6
			-	GREEN	25.40	5	282841-5
			-	GREEN	20.32	4	282841-4
			-	GREEN	15.24	3	282841-3
			-	GREEN	10.16	2	282841-2
	CLAMPING SCREW	MARKING	COLOR	A	NO OF POSN	PART NUMBER	

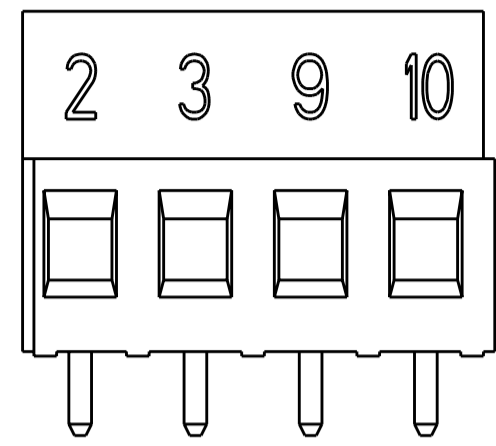


RECOMMENDED PC BOARD LAYOUT  
 SCALE 5:1

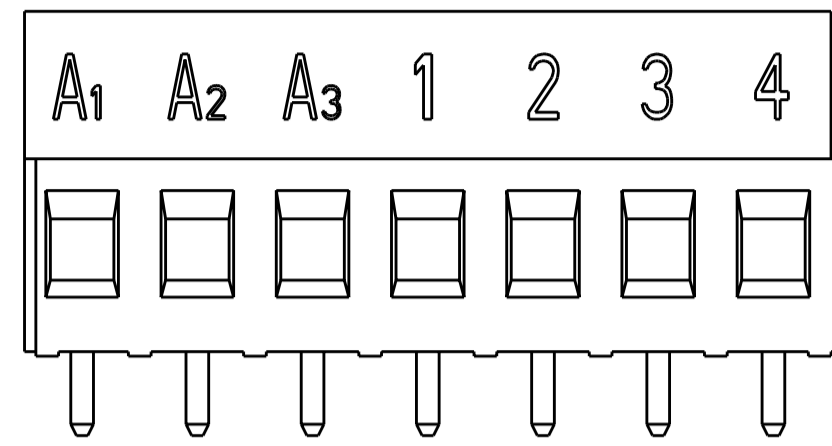
THIS DRAWING IS A CONTROLLED DOCUMENT.		DWN S. WELDON 26 JAN 2001	TE Connectivity	
DIMENSIONS: mm		CHK D. BIEVENOUR 26 JAN 2001		
TOLERANCES UNLESS OTHERWISE SPECIFIED:		APVD D. BIEVENOUR 26 JAN 2001		
0 PLC ±0 1 PLC ±.3 2 PLC ±.25 3 PLC ±0 4 PLC ±0 ANGLES ±2° FINISH		PRODUCT SPEC - APPLICATION SPEC - WEIGHT -		
MATERIAL		NAME		TERMINAL BLOCK PCB MOUNT W/INTERLOCK, 5.08mm PITCH
		SIZE CAGE CODE DRAWING NO A200779 C-282841		RESTRICTED TO -
CUSTOMER DRAWING		SCALE 4:1		SHEET 1 OF 2 REV. H6

THIS DRAWING IS UNPUBLISHED. RELEASED FOR PUBLICATION 20  
 © COPYRIGHT 20 BY - ALL RIGHTS RESERVED.

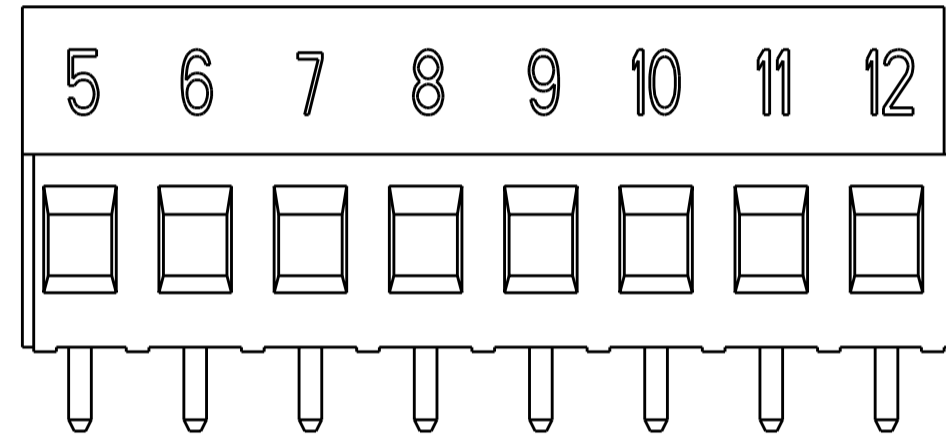
LOC		DIST		REVISIONS			
P	LTR	DESCRIPTION	DATE	DWN	APVD		
-	-	SEE SHEET 1	-	-	-		



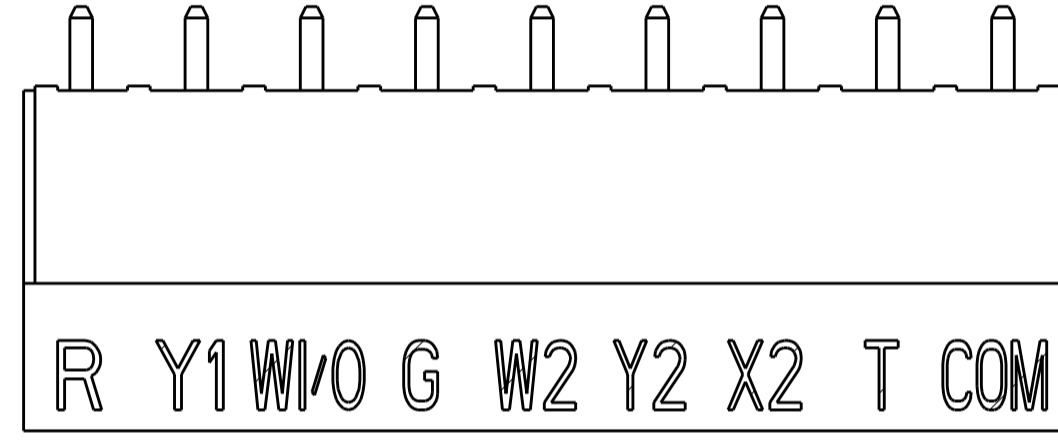
3-282841-1 AS SHOWN  $\triangle 8$



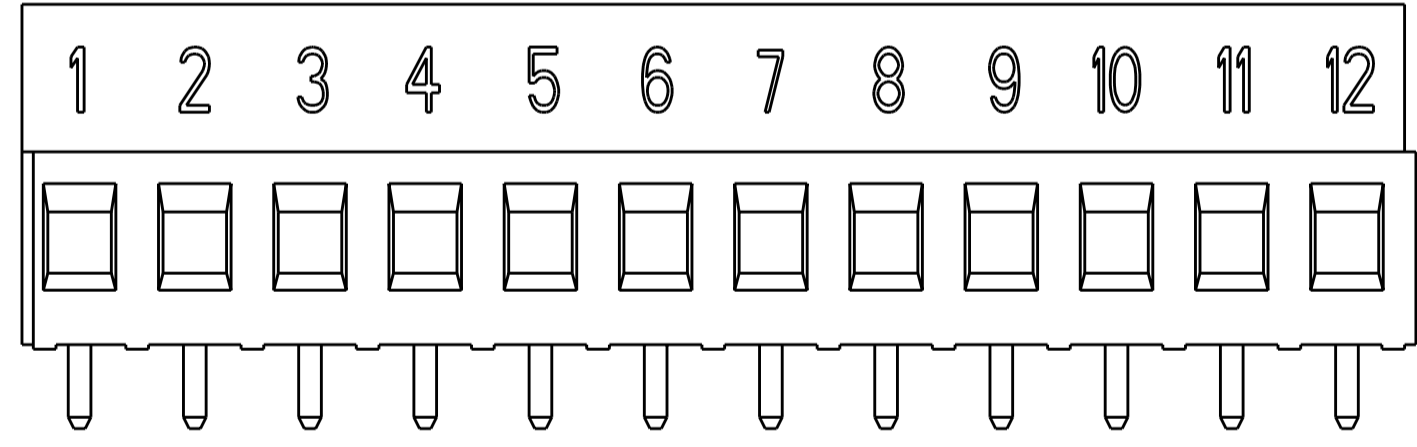
1-282841-4 AS SHOWN  $\triangle 8$



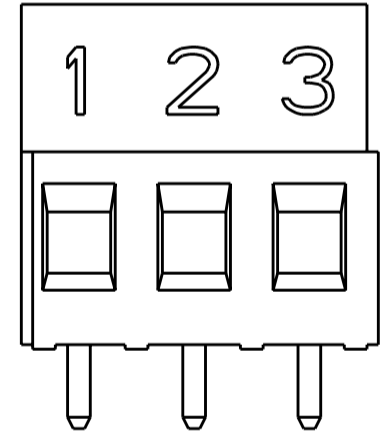
1-282841-5 AS SHOWN  $\triangle 8$



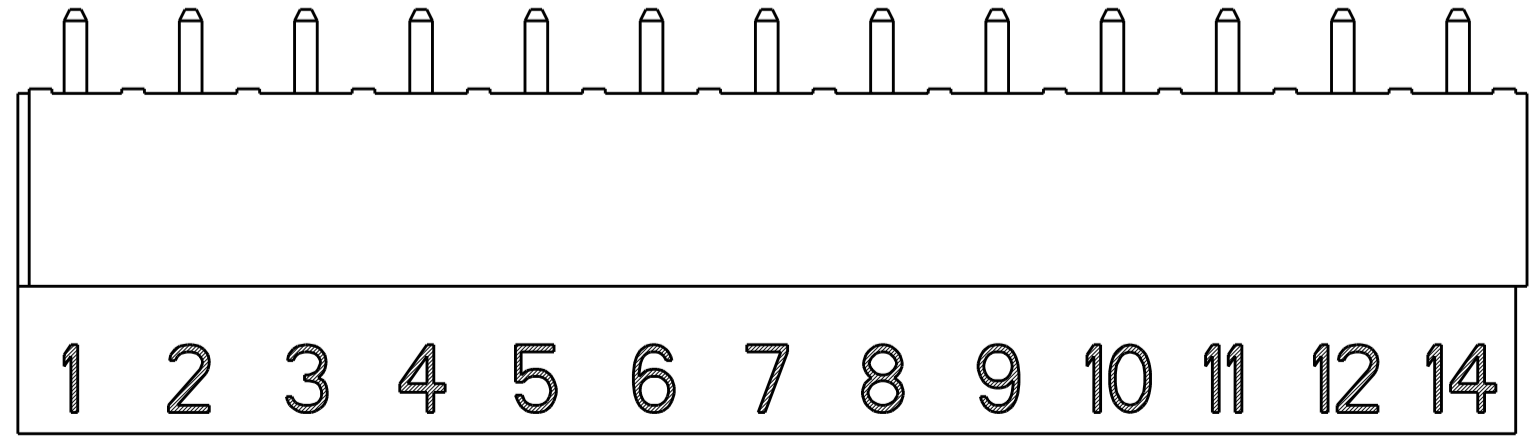
3-282841-3 AS SHOWN  $\triangle 8$



3-282841-0 AS SHOWN  $\triangle 8$

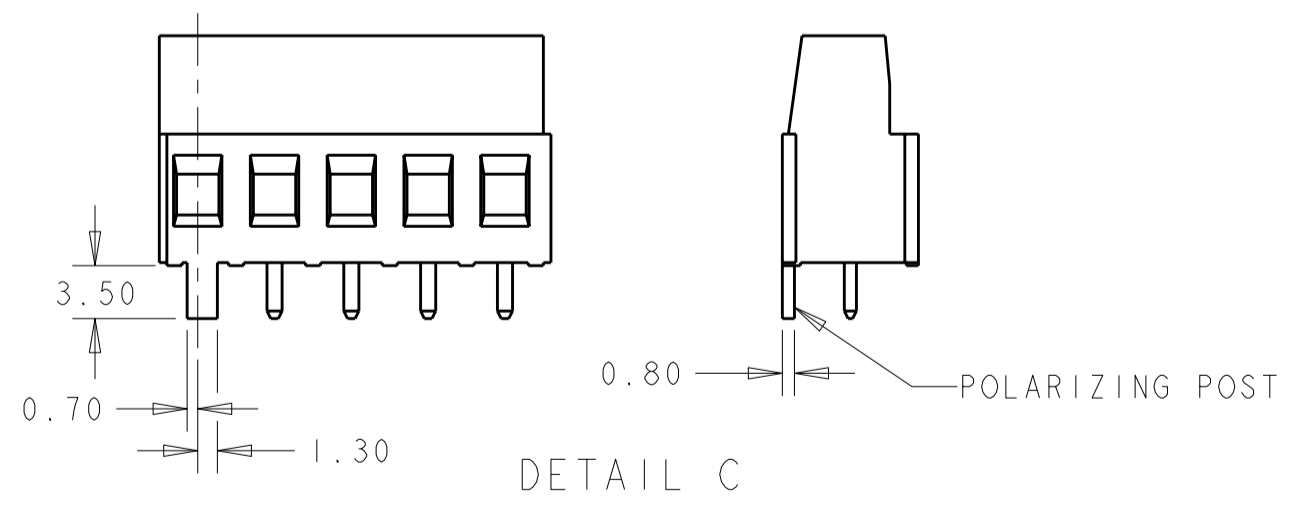
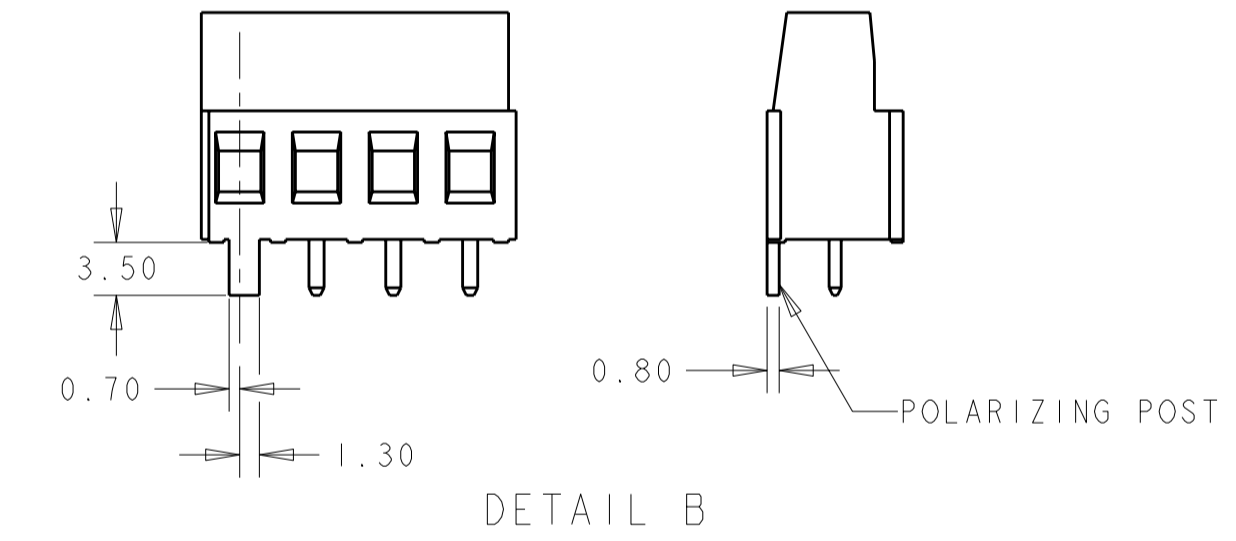


4-282841-0 AS SHOWN  $\triangle 8$



3-282841-2 AS SHOWN  $\triangle 8$

- $\triangle 1$  MATERIALS AND FINISH:  
 HOUSING: PA 6-6, UL 94-V0, COLOR: SEE TABLE.  
 CLAMP: BRASS, NICKEL PLATED.  
 TERMINAL: BRASS, TIN PLATED.  
 CLAMPING SCREW: M3, BRASS, NICKEL PLATED.
2. SUITABLE FOR 1,6-2,4mm. PCB THICKNESS.
3. END-TO-END STACKABLE W/INTERLOCK WITHOUT LOSS OF CENTERLINE SPACING.
4. WIRE SIZE RANGE: 12-30 AWG
5. RECOGNIZED UNDER THE COMPONENT PROGRAM OF UNDERWRITERS LABORATORIES INC. FILE No E60677.
6. IMQ CERTIFICATE WITH SURVEILLANCE IN CONFORMITY WITH IEC 998-1/998-2-1.
- $\triangle 7$  NOT CUMULATIVE TOLERANCE.
- $\triangle 8$  INK MARKING : BLACK COLOR.
9. BUCHANAN LOGO TO APPEAR ON HOUSING, LOCATION OPTIONAL, WHERE SPACE PERMITS.



THIS DRAWING IS A CONTROLLED DOCUMENT.		DWN S. WELDON 26 JAN 2001	<b>STE</b> TE Connectivity	
DIMENSIONS: mm		CHK D. BIEVENOUR 26 JAN 2001		
TOLERANCES UNLESS OTHERWISE SPECIFIED:		APVD D. BIEVENOUR 26 JAN 2001	NAME	
0 PLC ±0	±0	PRODUCT SPEC	TERMINAL BLOCK	
1 PLC ±.3	±.3	APPLICATION SPEC	PCB MOUNT	
2 PLC ±.25	±.25	WEIGHT	W/INTERLOCK, 5.08mm PITCH	
3 PLC ±0	±0	CUSTOMER DRAWING	SIZE A2	CAGE CODE 00779
4 PLC ±0	±0	SCALE 3:1	DRAWING NO C-282841	RESTRICTED TO
ANGLES ±2°	±2°	SHEET 2 OF 2	REV. H6	

# Mouser Electronics

Authorized Distributor

Click to View Pricing, Inventory, Delivery & Lifecycle Information:

[TE Connectivity:](#)

[282841-2](#)