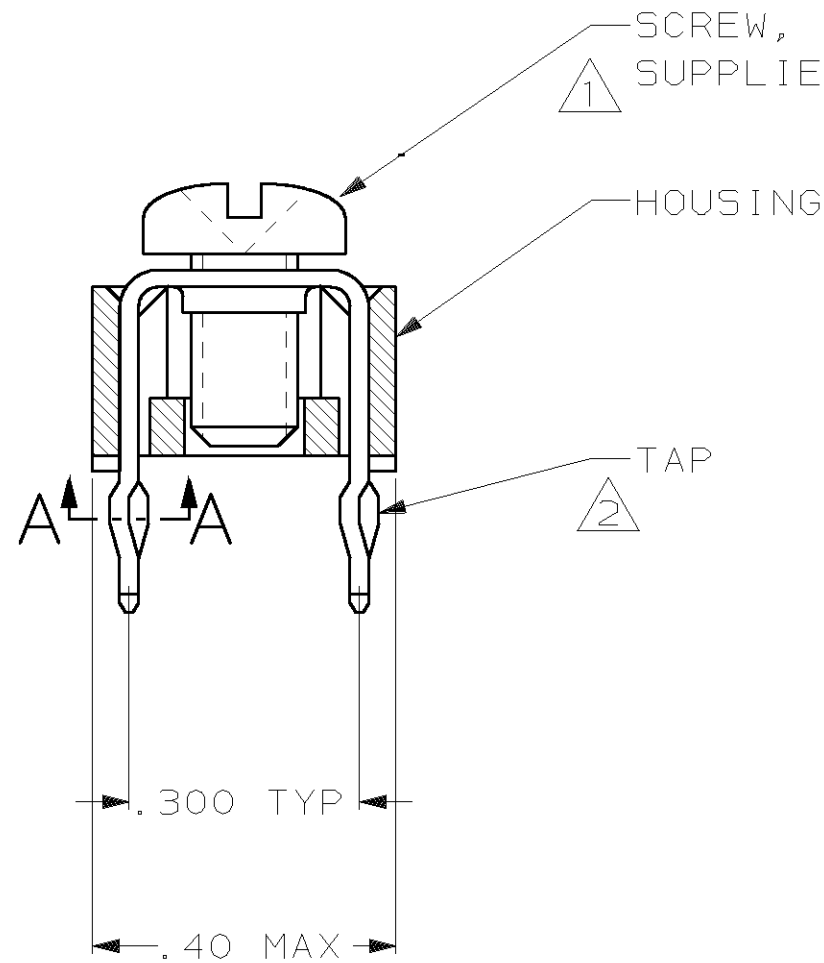
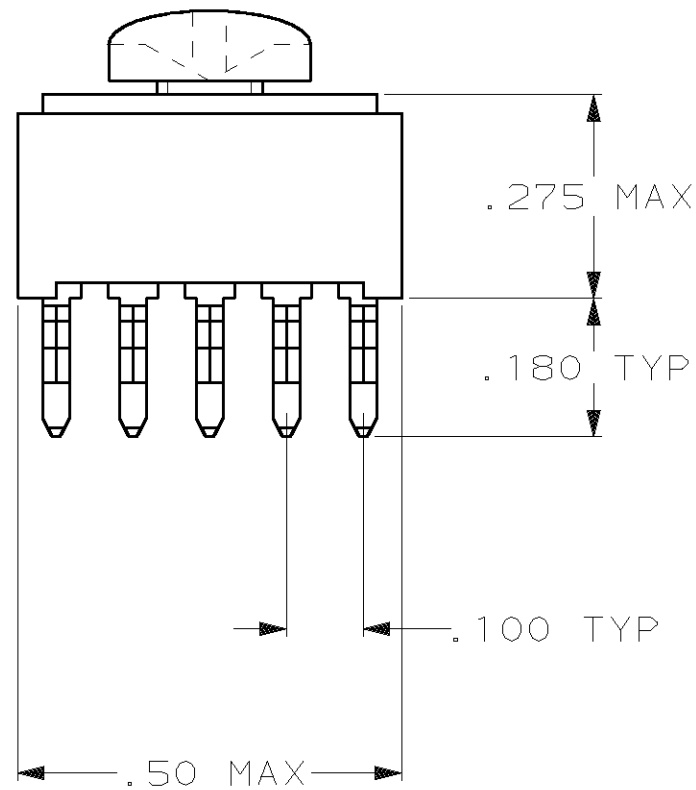


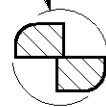
THIS DRAWING IS UNPUBLISHED. RELEASED FOR PUBLICATION, 19
 © COPYRIGHT 19 BY AMP INCORPORATED. ALL INTERNATIONAL RIGHTS RESERVED.

M	LOC	DIST	P	F	ZONE	LTR	DESCRIPTION	DATE	APPD
-	GP	00				G	REV PER OUE0-0037-01	17OCT01	JR



① TO PREVENT THREAD STRIPPING, SCREW TORQUE SHOULD NOT EXCEED 9 IN LBS.
 ② TAP HOLE IS 6-32UNC-2B, TWO MIN THREADS.

.050±.005 DIA



SECTION A-A
 SCALE 10:1
 10 PLACES

	YES	55673-2
SUPSD BY -2	NO	55673-1
	SCREW	PART NO

DO NOT SCALE PRINT. UNLESS SPECIFIED DIMENSIONS IN INCHES TOLERANCES ON: 2 PLC DEC ± _____ 3 PLC DEC ± .010 ANGLES ± _____	DR L. BRINER 4/1/97	AMP AMP INCORPORATED Harrisburg, Pa. 17105
	CHK H. JAMSHIDIAN 4/1/97	
	MATERIAL HOUSING: NYLON TAP: COPPER ALLOY 725, .025 THICK	NAME TAP ASSEMBLY, POWER DISTRIBUTION
	FINISH TAP: .000150 TIN-LEAD OVER .000050 NICKEL	SIZE B FSCM NO 00779 DRAWING NO 55673
	APPD H. JAMSHIDIAN 4/1/97	SCALE 4:1 SHEET 1 OF 1
	APPD H. JAMSHIDIAN 4/1/97	
	PRODUCT SPEC _____	
	APPLICATION SPEC _____	
	WEIGHT _____	

Mouser Electronics

Authorized Distributor

Click to View Pricing, Inventory, Delivery & Lifecycle Information:

[TE Connectivity:](#)

[55673-2](#)