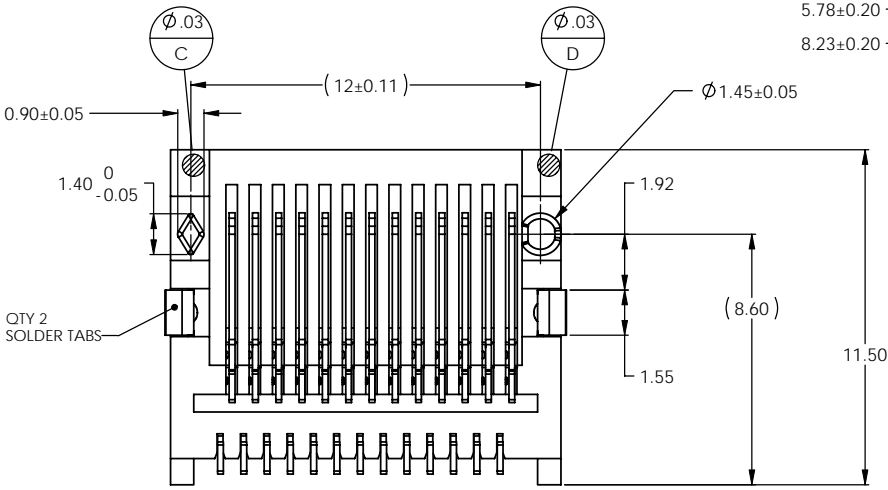
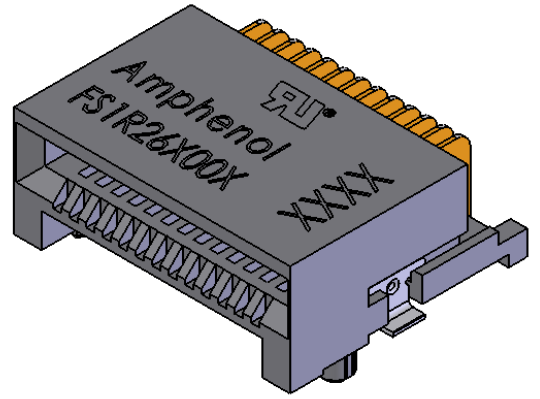
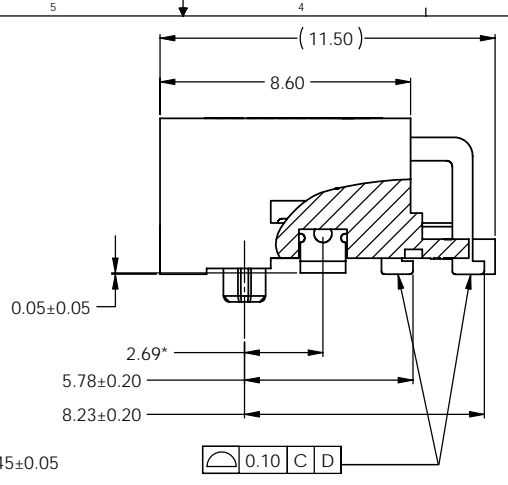
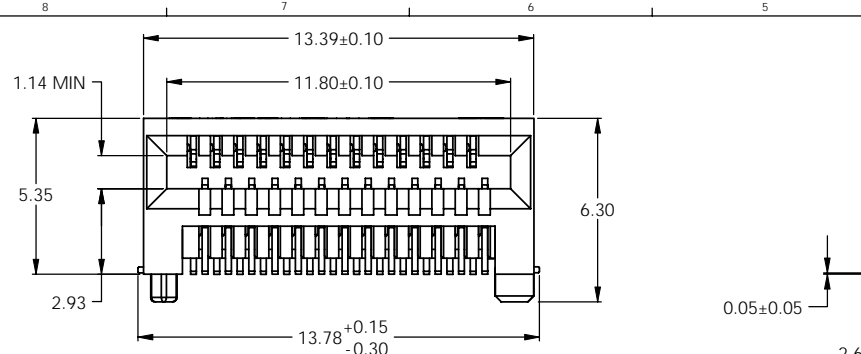
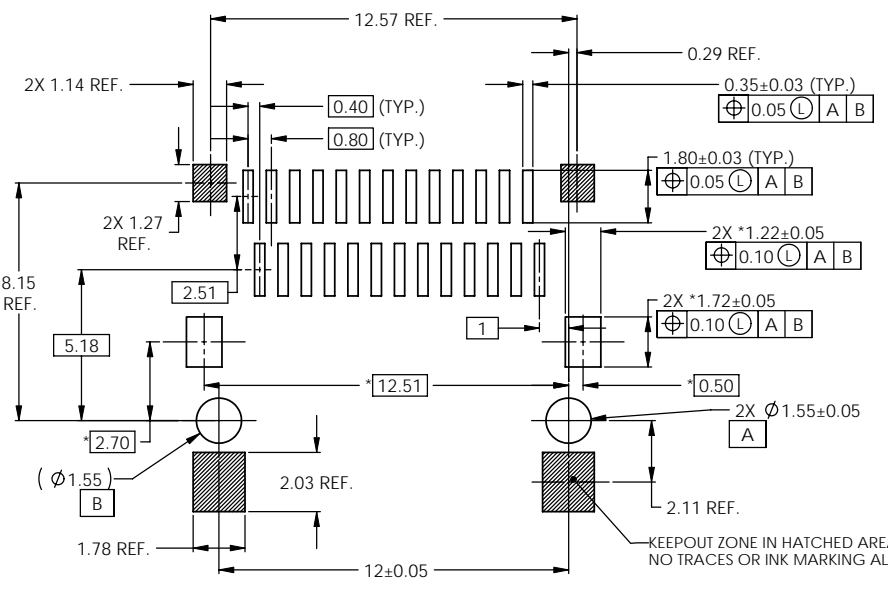


REVISIONS				
REV.	ECN	DESCRIPTION	DATE	APPROVED
X		TOLERANCE ADDED TO 13.78	APR 14/06	ZLJ



PART NUMBER	PACKAGING	CONTACT PLATING
FS1-R26-2001	TAPE AND REEL	30µ" GOLD OVER 50µ" NICKEL IN CONTACT AREAS 100µ" MATTE TIN OVER 50µ" NICKEL IN SOLDER AREAS
FS1-R26-3001		15µ" GOLD OVER 50µ" NICKEL IN CONTACT AREAS 100µ" MATTE TIN OVER 50µ" NICKEL IN SOLDER AREAS



NOTES:

- MATERIAL:
HOUSING: SOLDER REFLOW PROCESS COMPATIBLE LCP, UL94V-0
CONTACTS: PHOSPHOR BRONZE
- ROHS COMPLIANT
- SOLDER TAB PLATING:
50 - 75 MICROINCHES OF NICKEL UNDER PLATE ALL OVER
100 - 150 MICROINCHES OF NO WHISKER MATTE TIN.
- PERFORMANCE:
ELECTRICAL: 0.5 AMPS MAX. PER CONTACT
MECHANICAL: 250 MATING CYCLES MINIMUM
- COMPLIES WITH SFF-8086 EXCEPT WHERE NOTED ***

RECOMMENDED PCB LAYOUT

DO NOT SCALE DRAWING

THIS DOCUMENT CONTAINS PROPRIETARY INFORMATION AND SUCH INFORMATION MAY NOT BE DISCLOSED TO OTHERS FOR ANY PURPOSE OR USED FOR MANUFACTURING PURPOSES WITHOUT PERMISSION FROM AMPHENOL CANADA CORP.

UNLESS OTHERWISE SPECIFIED, DIMENSIONS ARE IN MILLIMETERS TOLERANCES ARE:		APPROVALS	DATE	Amphenol Canada Corp.	
DECIMALS		DRAWN YK	28/SEP/06	TITLE	
ANGLES	± 2°	CHECKED YK	28/SEP/06	SFF, 26 POSITION RECP., WITH SOLDER TABS	
X ± 0.25		SA APP'D		DRW C	P-FS1-R26-X001
XX ± 0.13				REV K	
MATERIALS AND FINISH				DATE NTS	REV SFF
ENGR. REV. EAR				CODE IDENT. NO. 03554	SHEET 1 OF 1

Mouser Electronics

Authorized Distributor

Click to View Pricing, Inventory, Delivery & Lifecycle Information:

[Amphenol:](#)

[FS1-R26-2001](#)