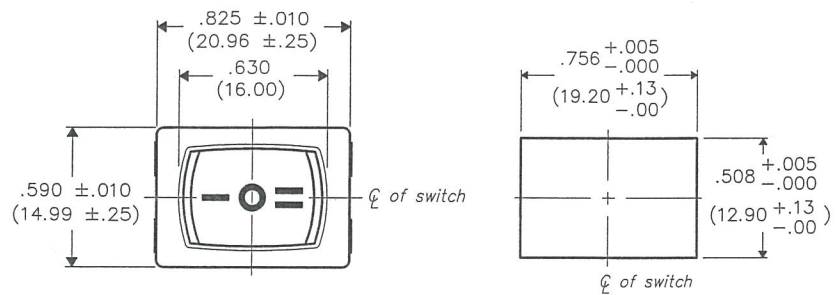


THIS INFORMATION IS CONFIDENTIAL AND PROPRIETARY TO CW INDUSTRIES INCORPORATED AND ITS AFFILIATES. IT MAY NOT BE DISCLOSED TO ANYONE, OTHER THAN CW INDUSTRIES PERSONNEL, WITHOUT WRITTEN AUTHORIZATION FROM CW INDUSTRIES INCORPORATED, SOUTHAMPTON, PENNSYLVANIA USA.

DIMENSIONS IN INCHES (MILLIMETERS)
DO NOT SCALE DRAWING

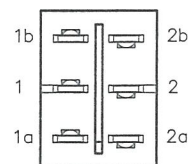
Dwg. No.
GRS-4023A-0014



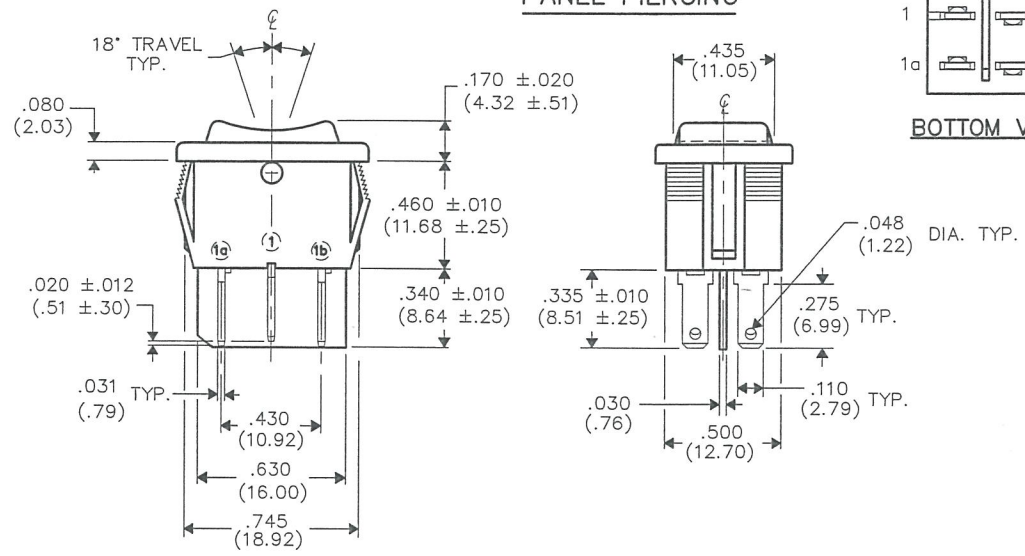
PANEL PIERCING

SWITCH COLOR - Black
LEGEND COLOR - White

SWITCH RATINGS:
UL & CSA
13A. 125VAC 10A. 250VAC
1/2 H.P. 125-250VAC 5A. 14V (T)



BOTTOM VIEW



1 2 3 4 5 6 7 8 9 10

B-FORMAT 2002	REVISIONS	REDAWN, ADDED RATINGS. DGW 7-03-13 2013	1	cw INDUSTRIES Southampton, Pa. 18966 <small>TOLERANCES UNLESS OTHERWISE SPECIFIED</small> 2 Place Decimal ±.010 METRIC 3 Place Decimal ±.005 1 Place Dec. ±.25mm Angles ±1' 2 Place Dec. ±.13mm	Title: ASSEMBLY ROCKER SWIDGET D.P.- CENTER OFF (ON-OFF-ON)
	Made for: CW IND.		Division: SWITCH		
	Drawn by: DGW 7-03-13		Dwg. No.		
	Checked by: <i>G. Gold</i> 7-10-13 Approved: <i>G. Gold</i> 7-10-13		GRS-4023A-0014		

MASTER

Mouser Electronics

Authorized Distributor

Click to View Pricing, Inventory, Delivery & Lifecycle Information:

[CW Industries:](#)

[GRS-4023A-0014](#)