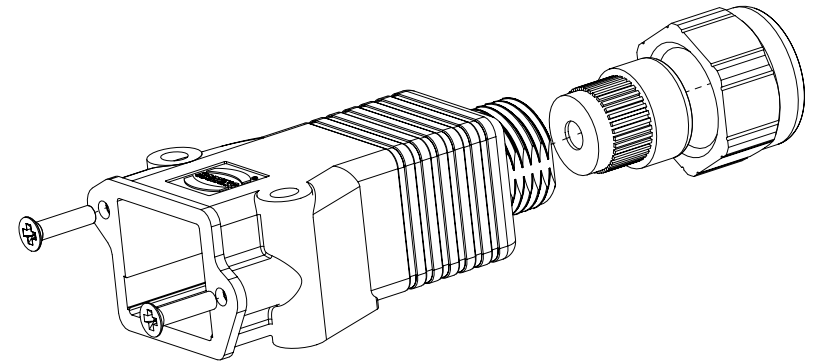
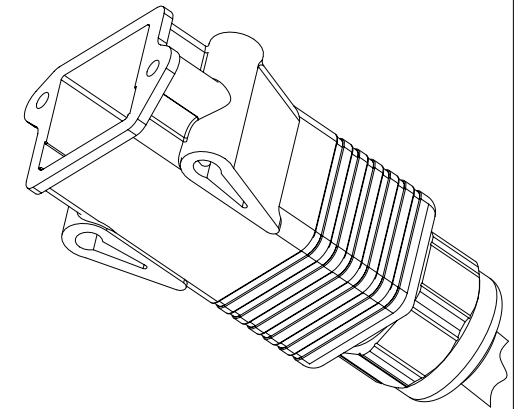
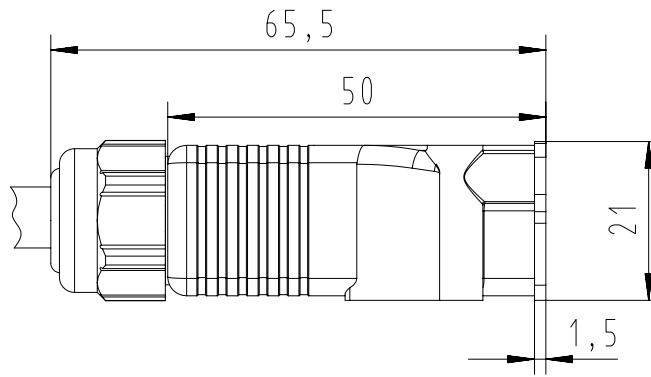
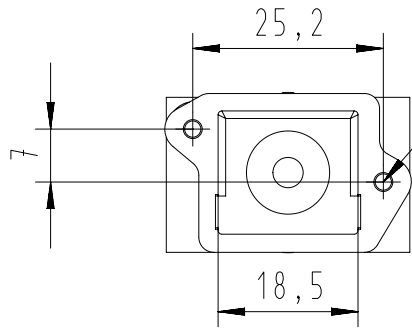
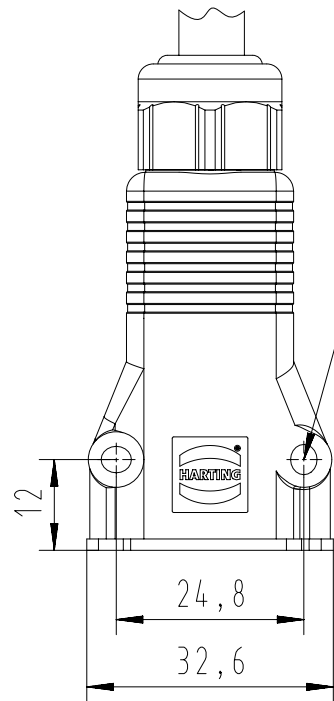


A 2X 2.5x8mm self tapping screws



2X M3 Max



Cables diameters: 6.5 to 9.5mm

Nut torque : between 2 and 4N.m

Torque of included 2 self tapping screws \varnothing 2.5X8mm: between 0.4 and 0.5N.m

	All Dimensions in mm Original Size DIN A4	Scale 1:1	Free size tol.			Ref. Sub.
	All rights reserved Department EC PD - FR	Created by MAILLARDS	Inspected by	Standardisation	Date 2012-06-27	State Checked Out
HARTING Electronics GmbH & Co. KG D-32339 Espelkamp		Title HPP V4 cable hood 6.5-9.5mm				Doc-Key / ECM-Nr. 100228781/UGD/001/B
		Type TB	Number 09453450000			Rev. B Page 1/1

Mouser Electronics

Authorized Distributor

Click to View Pricing, Inventory, Delivery & Lifecycle Information:

[HARTING:](#)

[09453450000](#)