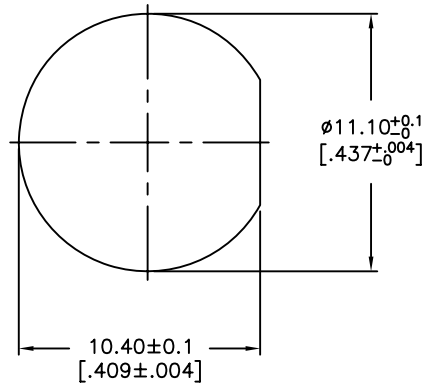
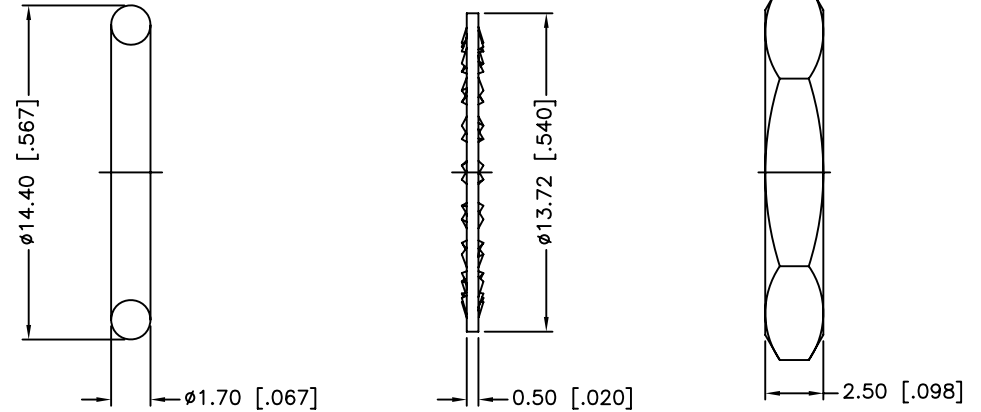
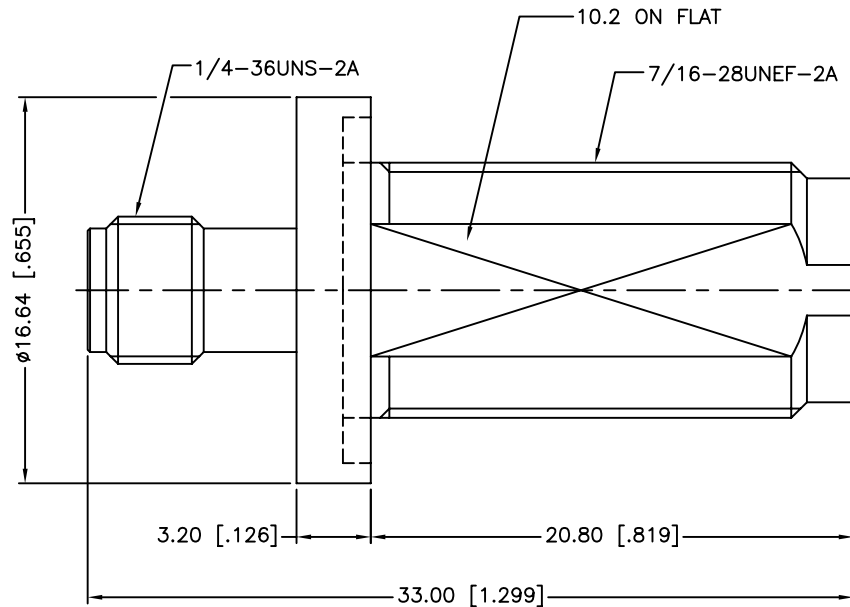
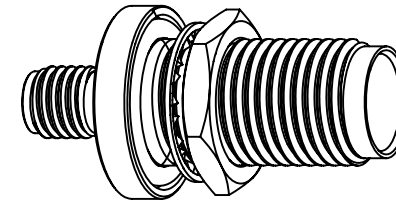


REV.	DATE	ECR NO.	DESCRIPTION
NC	07/21/11	XXXXXX	INITIAL RELEASE
A	02/24/14	2701	ADD IP-67/68 TESTING DETAILS, UPDATED DRAWING FORMAT



RECOMMENDED MOUNTING HOLE



1. IMPEDANCE: 50 OHM
2. FREQUENCY RANGE: 0-11 GHZ
3. DIELECTRIC WITHSTANDING VOLTAGE: 1000 VRMS, MIN.
4. DURABILITY: 500 CYCLES MIN.
5. TEMPERATURE RANGE: -65°C TO +165°C
6. SEALING REQUIREMENT: IP-68 MUST WITHSTAND 3M SUBMERSION TEST FOR 24 HOURS WITHOUT ANY SIGNS OF LEAKAGE
7. MAX. PANEL THICKNESS=7.6 MM

8	HEX NUT	BRASS	NICKEL	1
7	LOCK WASHER	PHOSPHOR BRONZE	NICKEL	1
6	GASKET	SILICONE RUBBER	RED	1
5	RETAINING RING	BRASS	NICKEL	1
4	CONTACT PIN	BER. COPPER	GOLD	1
3	O-RING	SILICONE RUBBER	RED	1
2	INSULATOR	PTFE	NATURAL	1
1	BODY	BRASS	NICKEL	1
	DESCRIPTION	MATERIAL	FINISH	QTY

UNLESS OTHERWISE SPECIFIED DIMENSIONS ARE IN MILLIMETERS. DIMENSIONS IN [] ARE IN INCHES AND FOR CUSTOMER REFERENCE ONLY.
 UNLESS OTHERWISE SPECIFIED
 TOLERANCES FOR MILLIMETERS ARE:
 <math><0.5 \pm 0.05\text{mm}</math>
 $0.5 - 6\text{mm} \pm 0.10\text{mm}$
 $6 - 30\text{mm} \pm 0.20\text{mm}$
 $30 - 120\text{mm} \pm 0.30\text{mm}$
 ANGLES $\pm 1^\circ$
 UNLESS OTHERWISE SPECIFIED
 TOLERANCES FOR INCHES ARE:
 <math><.020 \pm 0.002''</math>
 $.020 - .236 \pm 0.004''$
 $.236 - 1.180 \pm 0.007''$
 $1.180 - 4.724 \pm 0.012''$
 ANGLES $\pm 1^\circ$
 DO NOT SCALE DRAWING

APPROVALS	DATE
DRAWN M.ZHANG	02/24/14
CHECKED	
ISSUED	
SHEET 1 OF 1	
CAD FILE	
C:/CONNEX/242178-10.DWG	

Amphenol Connex			
PART DESCRIPTION			
SMA FEMALE TO TNC BULKHEAD FEMALE ADAPTOR, IP-68 COMPLIANT			
PART NO.			
242178-10			
DWG. NO.	242178-10.DWG	REV.	A
SIZE	A	SCALE	NA

Mouser Electronics

Authorized Distributor

Click to View Pricing, Inventory, Delivery & Lifecycle Information:

[Amphenol:](#)

[242178-10](#)