

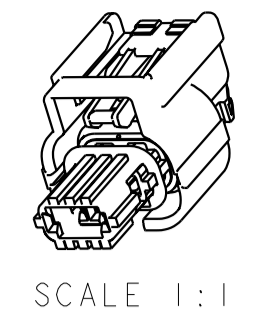
ITEM	ITEM DESCRIPTION	COLOR	FCI PART NUMBER	MATERIAL/SPEC	RECYCLING CODE	APPROX. WEIGHT	NO OF ITEMS REQUIRED
1	FEMALE HOUSING W/O LOCK RAMP	BLACK	F545000	WSK-M4D673-A	PA66 GF35	(5.10g)	
1	FEMALE HOUSING WITH LOCK RAMP	BLACK	S629300	WSK-M4D673-A	PA66 GF35	(5.15g)	1 1 1
2	FEMALE TPA KEY A	GREY	F645000	WSK-M4D673-A	PA66 GF35	(1.68g)	1
2	FEMALE TPA KEY B	BLUE	F436000	WSK-M4D673-A	PA66 GF35	(1.68g)	1
2	FEMALE TPA KEY B (Special)	NATURAL	S873500	WSK-M4D673-A	PA66 GF35	(1.68g)	1
3	RING SEAL	BURNT ORANGE	F646000	ESB-M2D280-A	N/A	(0.07g)	1 1 1

(C10)

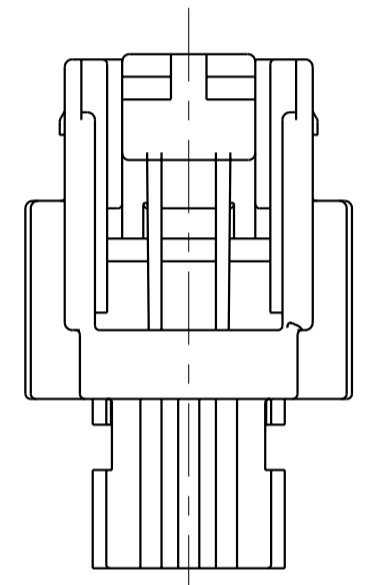
(A1) (A2) (A3) (A4) (C15) (B8) (B9)

APPLICABLE COMPONENTS					APPLICABLE WIRE TYPE & SIZE
ITEM DESCRIPTION	COLOR/PLATING	FORD COMP. PART NUMBER	FCI COMP. PART NUMBER	MATERIAL/SPEC	
2.8mm SEALED SYSTEM TERMINAL (F)	Au	9U5T-14474-KA	54001879		18-20 AWG
2.8mm SEALED SYSTEM TERMINAL (F)	Au	9U5T-14474-JA	54001448		14-16 AWG
2.8mm SEALED SYSTEM TERMINAL (F)	Sn	XL3T-14474-DA	54001840		18-20 AWG
2.8mm SEALED SYSTEM TERMINAL (F)	Sn	XL3T-14474-AA	54001432		14-16 AWG
WIRE SEAL	GREEN	8U5T-14603-MA	F676000	ESB-M2D280-A2	18-20 AWG
WIRE SEAL	BLUE	8U5T-14603-NA	F576000	ESB-M2D280-A2	14-16 AWG

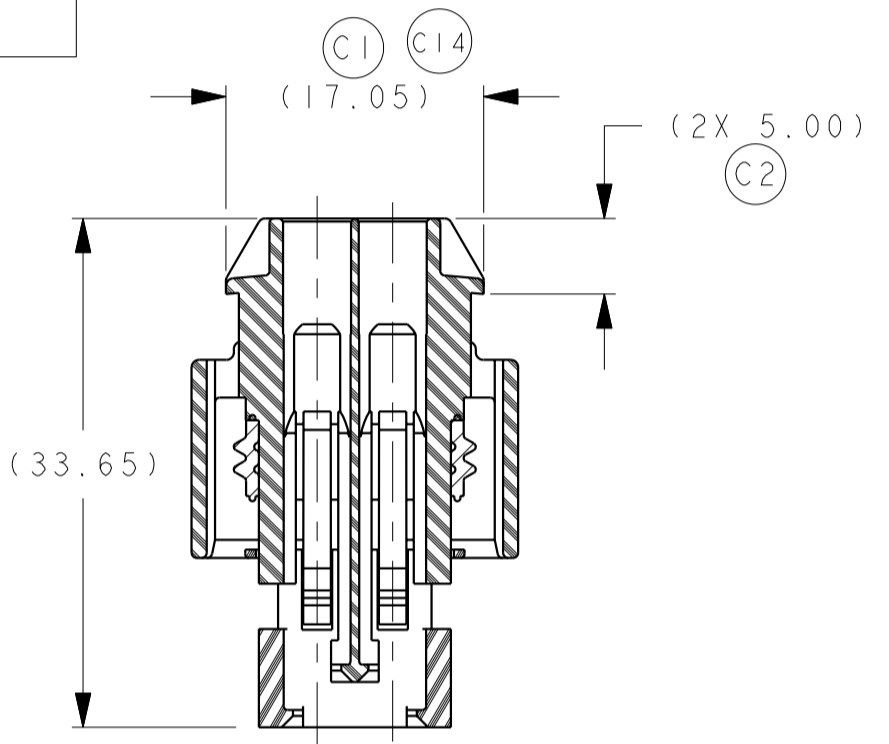
AU5T-14A464-TCA	F219600	(C19)
8U5T-14A464-MAC	F119300	(C8)
8U5T-14A464-FAC	F019300	
FORD PART NUMBER	FCI P/N	



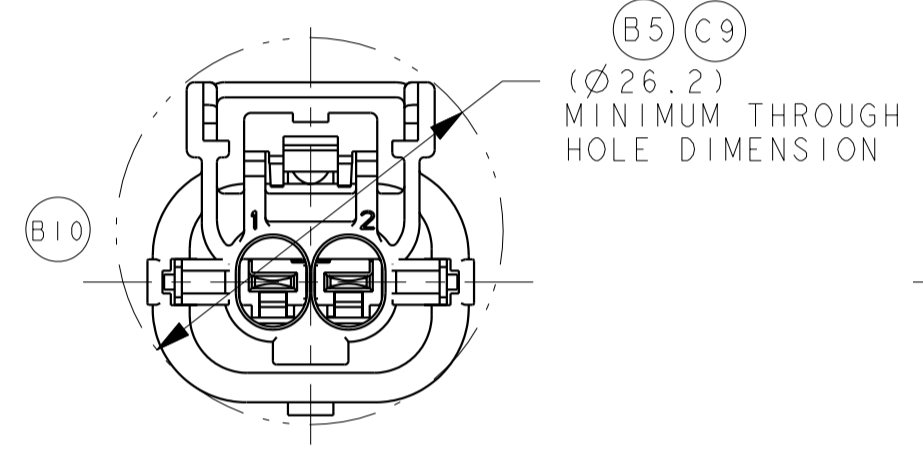
SCALE 1:1



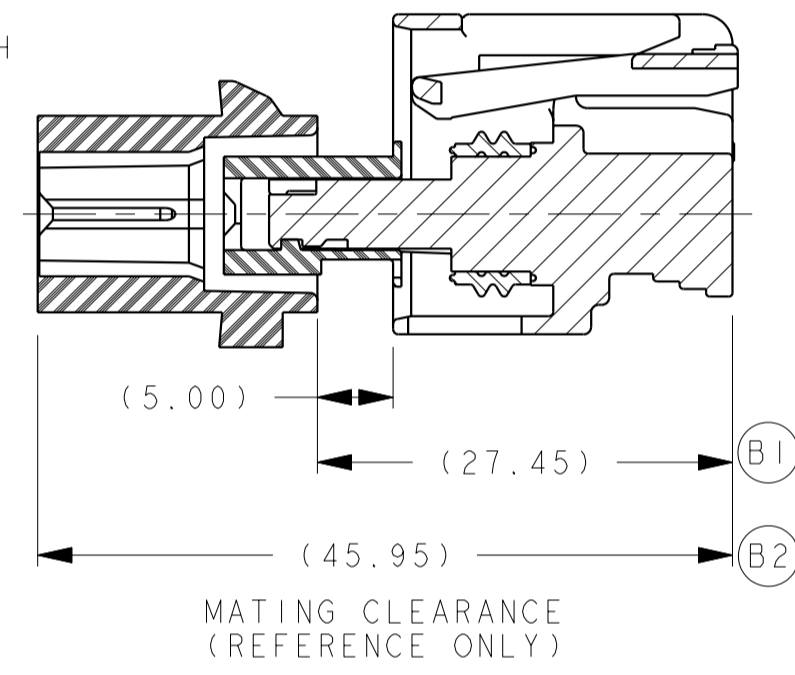
OPTIONAL CONSTRUCTION WITHOUT LOCK-RAMP FEATURES (C5)



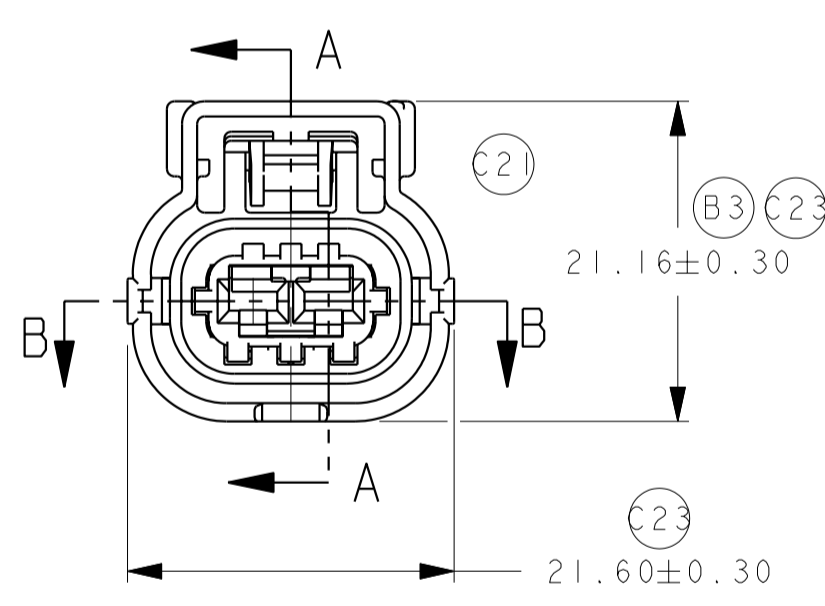
SECTION B-B



(B5) (C9)  
(Ø26.2) MINIMUM THROUGH HOLE DIMENSION



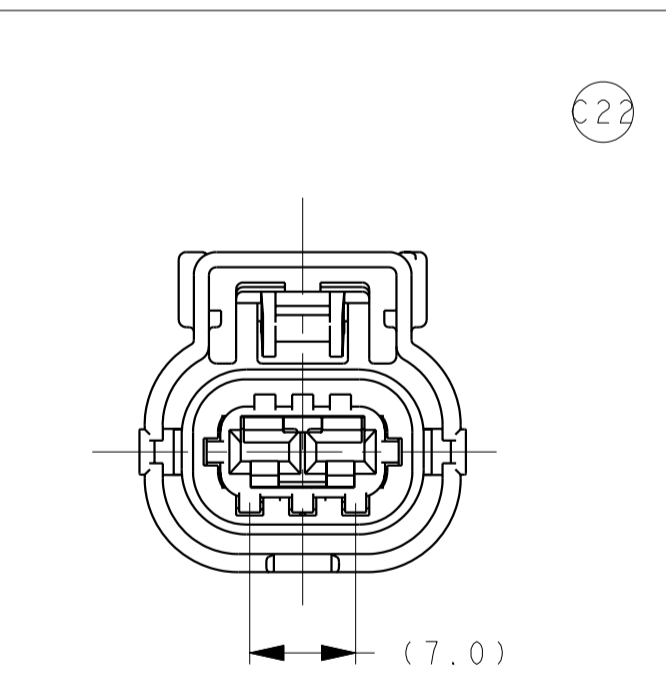
MATING CLEARANCE (REFERENCE ONLY)



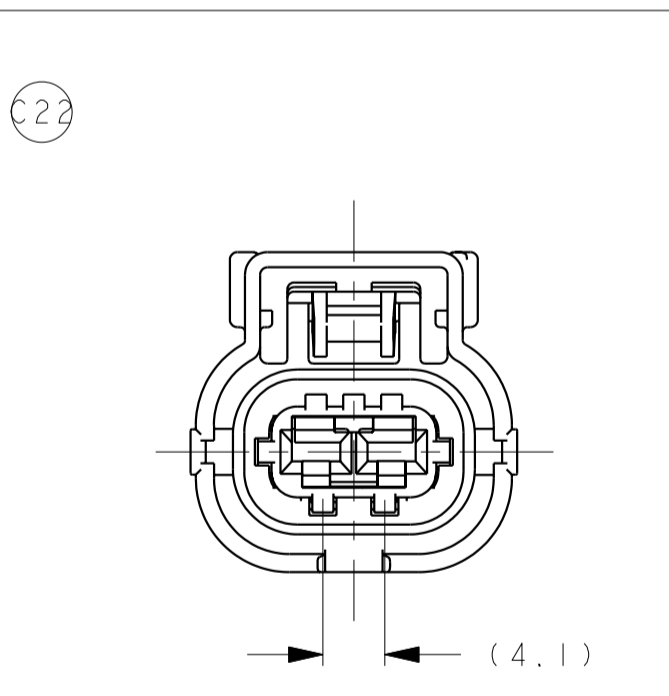
SECTION A-A

NOTES:

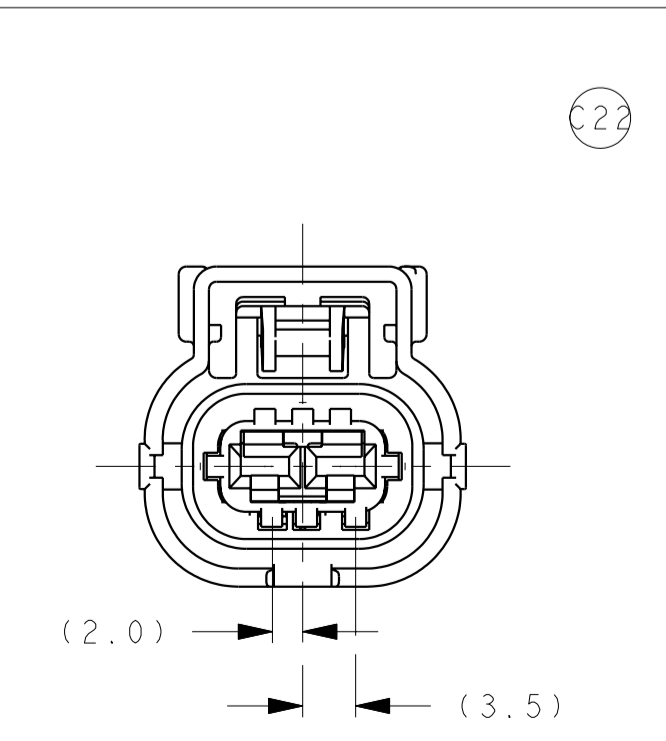
- PART MUST CONFORM TO THE ELECTRICAL CONNECTION SYSTEM DESIGN SPECIFICATION (SDS) REVISION 14.0 DATED DEC.2008
- PART MUST CONFORM TO SAE/USCAR-2 REV 5 FOR COMPONENT TEMPERATURE CLASS 3, FOR PERFORMANCE CRITERIA & EXCEPTIONS
- SEE FCI DVP&R DOCUMENT 08-005, 08-051
- MAXIMUM INSERTION FORCE FULLY POPULATED WITH Au TERMINALS: 21.03 N
- ALL PLASTIC PARTS MUST HAVE MATERIAL IDENTIFICATION SYMBOLS CLEARLY MARKED, WHEREVER PACKAGE SIZE PERMITS.
- FORD MOTOR COMPANY APPROVAL REQUIRED FOR ALL SOURCING AND TOOLING OF THIS PART.
- FOR ENGINEERING APPROVED SOURCE SEE ENGINEERING RELEASE.
- ENGINEERING APPROVAL OF SAMPLE FROM EACH SUPPLIER IS REQUIRED PRIOR TO AUTHORIZATION OF PART PRODUCTION.
- CHANGES IN DESIGN COMPOSITION OR PROCESSING FROM THE PART PREVIOUSLY APPROVED FOR PART PRODUCTION REQUIRES PRIOR ENGINEERING APPROVAL.
- GENERAL TOLERANCES: ±0.3 ALL ONE PLACE DIMENSIONS, ±0.10 ALL TWO PLACE DIMENSIONS, ±3° ALL ANGULAR TOLERANCES
- PARTS ARE TO BE FREE OF SCRATCHES, DISCOLORATION, SALT RESIDUE OR OTHER IMPERFECTIONS THAT MAY AFFECT FUNCTION OR FIT OF PART
- DRAWING CONFORMS TO AVP-(T401/T406) -001 REVISION C DATED 08-AUG-03
- HEADER INTERFACE GEOMETRY SHOWN ON SHEET 2.
- FOR HEADER BLADE INFORMATION SEE EWCAP DRAWING EWCAP-001.



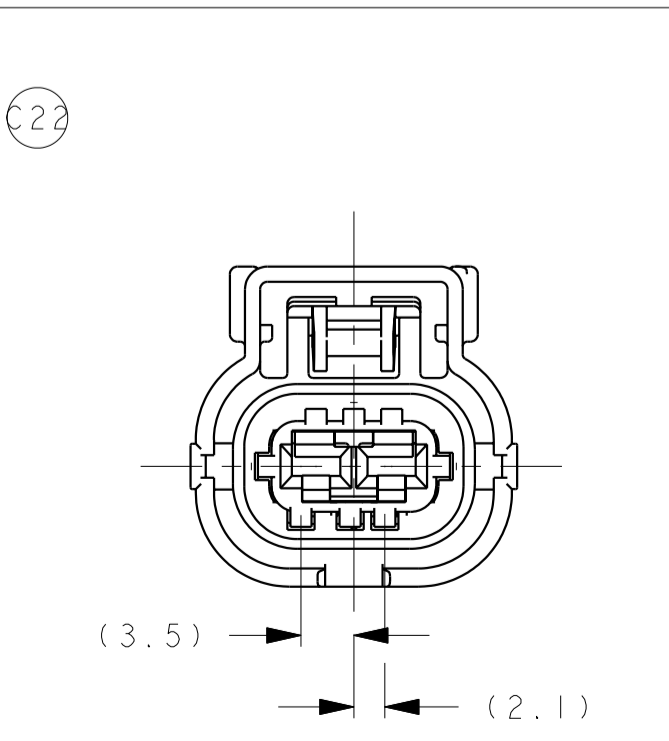
KEY A (8U5T-14A464-FAC)



KEY B (8U5T-14A464-MAC)

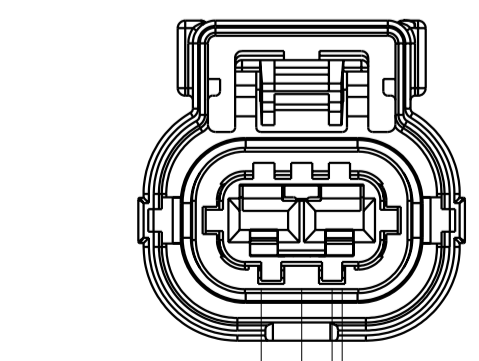


KEY C



KEY D

THIS CONNECTOR IS A NON-STANDARD VARIANT OF KEY B AND IS INTENDED FOR USE ONLY WITH ONE SPECIFIC NON-STANDARD INTERFACE AND SHOULD NOT BE USED IN ANY OTHER APPLICATION



KEY B (Special) SCALE 2.000 (C16)

LTRS	REVISIONS		
ORIGINATOR	CHECKER	ENGR APP	MATL APP
A	RELEASE	8U5T-14A464-FAA AND 8U5T-14A464-MAA FOR PRODUCTION AUTHORITY	
ARCHIVED DATE: AELE-E-11786306-38 (*) * CAD: Y			
CARRER	KIRZHNER	SPADONI	
A1	WAS	8U5T-14474-GA	
A2	WAS	8U5T-14474-HA	
ARCHIVED DATE: AELE-E-11786306-061 (*) * CAD: Y			
CARRER	RAUCHMAN	SPADONI	
A3	WAS	8U5T-14474-JA	
A4	WAS	8U5T-14474-KA	
ARCHIVED DATE: AELE-E-11786306-062 (*) * CAD: Y			
CARRER	RAUCHMAN	SPADONI	
A5	REVISED	KEY WAY CALL OUT	
ARCHIVED DATE: AELE-E-11786306-074 (*) * CAD: Y			
CARRER	RAUCHMAN	HOLCOMBE	
REMOVED	8U5T-14A464-FAA		
REMOVED	8U5T-14A464-MAA		
RELEASED	8U5T-14A464-FAB		
RELEASED	8U5T-14A464-MAB		
B1	WAS	30.05	
B2	WAS	48.55	
B3	WAS	(25.60)	
B4	WAS	19.45	
B5	WAS	28.00	
B6	UPDATED	NOTE 2	
B7	REMOVED	NOTE	
B8	WAS	54001876	
B9	WAS	54001446	
B10	MODIFIED	CAVITY NUMBER SEQUENCE	
B11	RELOCATED	INTERFACE KEY VIEWS & SCALE WAS 4:1	
ARCHIVED DATE: AELE-E-11786306-077 (*) * CAD: Y			
BUTCHER	RAUCHMAN	HOLCOMBE	
REMOVED	8U5T-14A464-FAB		
REMOVED	8U5T-14A464-MAB		
RELEASED	8U5T-14A464-FAC		
RELEASED	8U5T-14A464-MAC		
C1	ADDED	DIM (16.70)	
C2	ADDED	DIM (2X 5.00)	
C3	REMOVED	VIEW SECTION C-C	
C4	UPDATED	DIM 3.90±0.15	
C5	ADDED	VIEW	
C6	UPDATED	NOTE 2	
C7	UPDATED	TITLE BLOCK	
C8	UPDATED	FCI ASSEMBLY NUMBERS	
C9	WAS	Ø26.2	
C10	ADDED	P/N FOR HOUSING WITH LOCK RAMP	
C11	UPDATED	INTERFACE DIMENSIONS	
DATE: 20090323			
AELE-E-11786306-094			
RRR	BUTCHER		
C12	INTERFACE	VIEWS REDEFINED AND MOVED TO SHT 2	
C13	ADDED	NOTES 13 AND 14	
C14	DIM (17.05)	WAS (16.70)	
C15	UPDATED	APPLICABLE COMPONENTS TABLE	
DATE: 20090518			
AELE-E-11786306-099			
BUTCHER	RAUCHMAN		
RELEASED	AU5T-14A464-TCA		
C16	ADDED	VIEW FOR KEY Bs (SPECIAL)	
C17	REVISED	DRAWING SIZE & LAYOUT SHT1	
C18	REVISED	DRAWING SIZE & LAYOUT SHT2	
C19	ADDED	AU5T-14A464-TCA TO BOM	
DATE: 20091030			
AELE-E-11786306-114			
HOLUB	RAUCHMAN		
C20	REMOVED	NOTE #10 - REORDERED NOTES	
C21	REMOVED	17.66, 3.90 AND 16.00	
C22	CONVERTED	KEYING DIMENSIONS TO REF.	
C23	ADDED	21.16±0.30 AND 21.60±0.30	
DATE: 20091113			
AELE-E-11786306-111			
HOLUB	RAUCHMAN		

REFERENCE FCI - AUTOMOTIVE (7362) FOR INFORMATION CONTACT: FCI - AUTOMOTIVE (7362)			
PART MUST COMPLY WITH MATERIAL SPECIFICATION WSS-M99P9999-A1 TO HELP SAFEGUARD HEALTH, SAFETY AND THE ENVIRONMENT.			
DRAFTED IN ACCORDANCE WITH FAO ENGINEERING DRAFTING STANDARD CURRENT AT INITIAL RELEASE			3 RD ANGLE PROJ DIMENSIONS IN MILLIMETERS
CAD TYPE	CAD LOC.	CAD FILE	EM IS MASTER
X-PROE	N/A	PCC0531107.drw	
OPER. NO.	UNIT	DRAWING	8U5T-14A464-FAC
DESIGN CARRER	DETAIL	TITLE	SHT 1 OF 2
CHECKED KIRZHNER	SAFETY	SLV ASY WIR CONN FEM	
SCALE	DATE	DIVISION	
2:1	8-22-07	PLANT	

DRW SIZE A1/D

# Mouser Electronics

Authorized Distributor

Click to View Pricing, Inventory, Delivery & Lifecycle Information:

[Aptiv:](#)

[F676000](#) [54001448-L](#) [F576000](#) [F119300](#) [F119300-B](#)