

24V & 48V Input Full brick DC-DC Converters

Features

- ◆ 12V output for driving non-isolated converters
- ◆ Safety Approved
- ◆ Up to 80A output current (48V models)
- ◆ Full power at 100°C baseplate
- ◆ Opto Isolated Remote On / Off
- ◆ Wide Adjustable Output Range
- ◆ Parallel Pin
- ◆ ASIC Design
- ◆ No potting materials



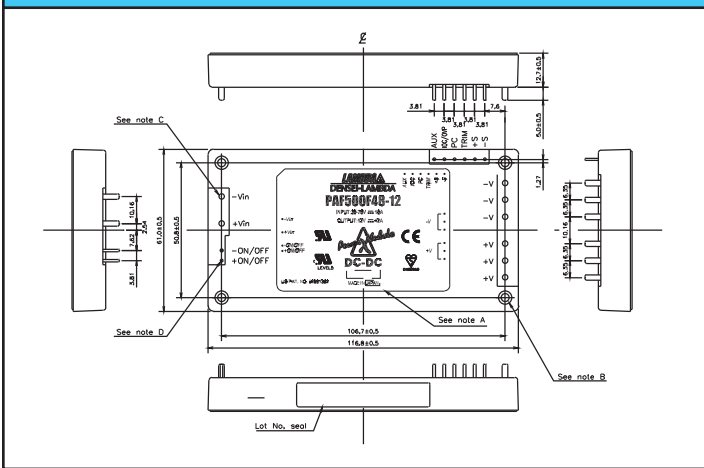
Key Market Segments & Applications



Specifications		PAF500F48-3.3	PAF500F48-5	PAF500F24-12 PAF500F48-12	PAF500F24-28 PAF500F48-28
Model					
Nominal Output Voltage	VDC	3.3	5	12	28
Output Current (Max)	A	80	80	42	18
Max Output Power	W	264	400	504	504
Efficiency (Typ)	%	78	83	89	90
Input Voltage range	VDC	36-76		19-36 or 36-76	18-36 or 36-76
Input Current (Typ) (24V/48V)	A	7.3	10.4	24 / 12.2	23.8 / 12.1
Output Voltage Accuracy	%	±1			
Output Voltage Adjustment	VDC	2 - 4	3 - 6	7.2 - 13.2	16.8 - 30.8
Max Ripple & Noise	mV	100	100	200	280
Max Line Regulation	mV	10	10	24	56
Max Load Regulation	mV	10	10	24	56
Overcurrent Protection	%	105 - 140%			
Overvoltage Protection	%	130-160	125-145	115-135	115-135
Signals & Control	-	Remote sense, remote On/Off, Parallel Pin, DC Good (12, 28V models), Adjustable OVP (3.3, 5V models), 7-10V Auxiliary voltage			
Operating Temperature	-	-40°C to +100°C baseplate			
Cooling	-	Conduction (See Installation Manual for heatsink selection)			
Isolation Voltage	VDC	Input - Baseplate 1500V, Input - Output 1500V, Output-Baseplate 500V			
Shock	-	196.1m/s ²			
Vibration		Non Operating, 10-55Hz (sweep for 1 min.)			
Amplitude		0.825mm constant (Max 49m/s ²) X, Y, Z 1 hour each			
Safety Agency Approvals	-	UL60950-1, CSA60950-1, EN60950-1, CE LVD			
Weight (Typ)	g	250			
Size (WxHxD)	in(mm)	2.4x0.5x4.6 (61x12.7x116.8) See outline drawing			
Warranty	-	2 years			

Note: See Installation Manual for full details, test methods of parameters and application notes.

PAF Outline Drawing



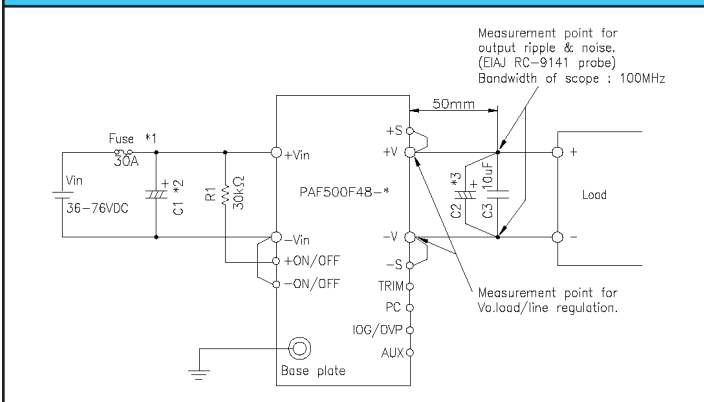
Pinout

Pin Description	Function
-Vin	Negative Input Terminal
+Vin	Positive Input Terminal
- ON/OFF	Remote On/Off negative terminal
+ON/OFF	Remote On/Off positive terminal
+V	Positive Output Terminal
-V	Negative Output Terminal
AUX	7-10V Aux voltage
IOG/OVP	DC Good / OVP adjustment
PC	Parallel control connection
TRIM	Output adjustment Trim pin
+S	Positive Remote sense
-S	Negative Remote sense

Other DC-DC Products

PAF	Full Brick 400-700W DC-DC
PAH	Half brick DC-DC
PAQ	Quarter brick DC-DC
PX	10-60W, 12-48V DC-DC

Connection Example



Heatsink Table

Heatsink	Size (mm)	Thermal Resistance
HAF-10L	116.8 x 25.4 x 61	2.2°C/W
HAF-15L	116.8 x 38.1 x 61	1.9°C/W
HAF-15T	116.8 x 38.1 x 61	1.5°C/W

Options

Suffix	Description
Blank	M3 tapped inserts (4)
/T	3.3mm non-threaded inserts (4)

For Additional Information, please visit
us.tdk-lambda.com/lp/products/paf-series.htm



Mouser Electronics

Authorized Distributor

Click to View Pricing, Inventory, Delivery & Lifecycle Information:

[TDK-Lambda:](#)

[PAF500F24-12](#) [PAF500F24-12/T](#) [PAF500F48-12/T](#) [PAF500F48-28/T](#) [PAF500F48-3.3/T](#) [PAF500F48-5](#)
[PAF500F48-12](#) [PAF500F24-28](#) [PAF500F48-28](#) [PAF500F48-3.3](#) [PAF500F48-5/T](#) [PAF500F24-28/T](#)