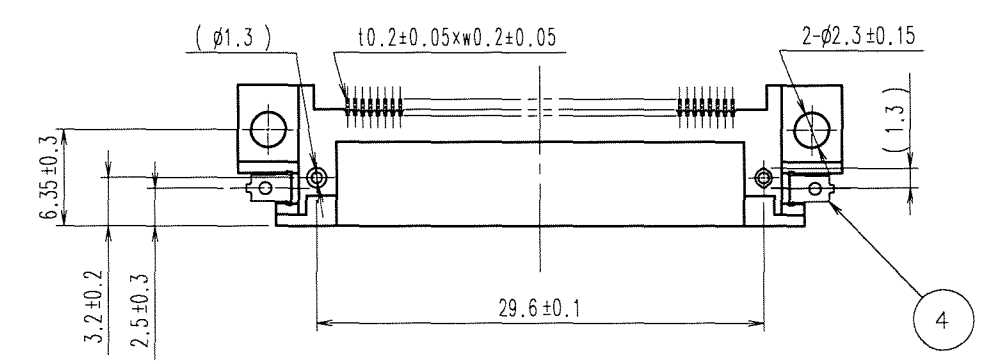
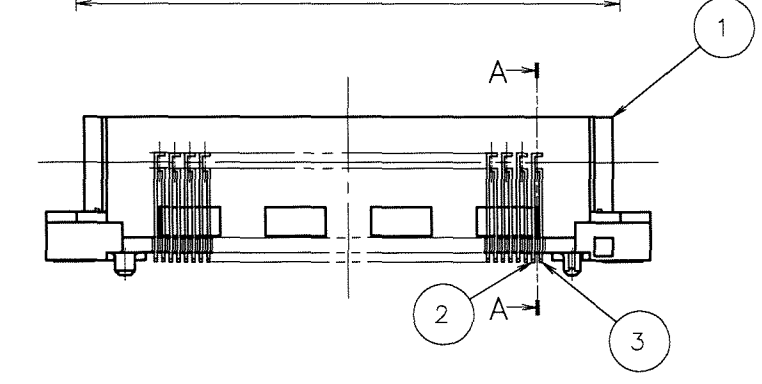
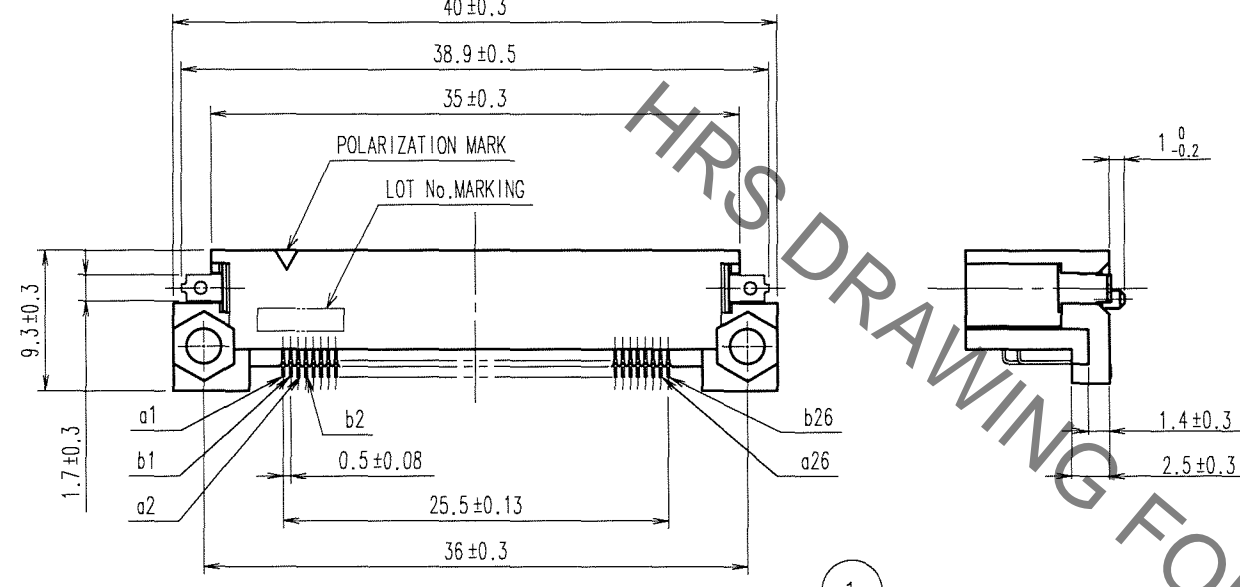
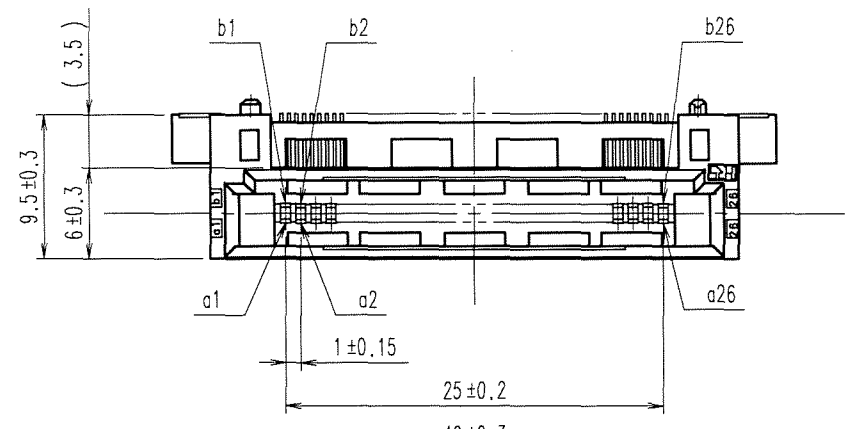
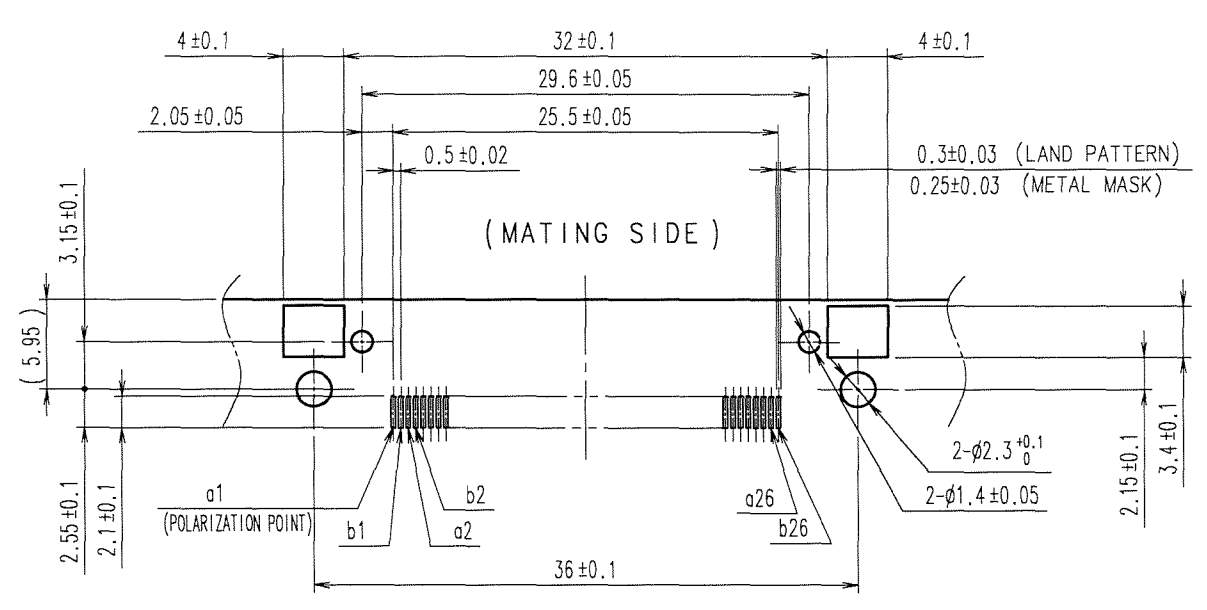


Aug.1.2020 Copyright 2020 HIROSE ELECTRIC CO., LTD. All Rights Reserved.
In case of consideration for using Automotive equipment / device which demand high reliability, kindly contact our sales window correspondents.

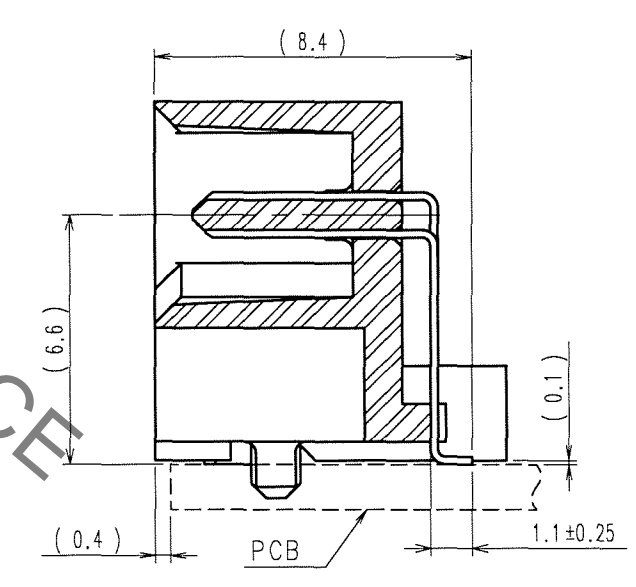
COUNT	DESCRIPTION OF REVISIONS	BY	CHKD	DATE	COUNT	DESCRIPTION OF REVISIONS	BY	CHKD	DATE
△					△				
△					△				
△					△				



RECOMMENDED P.C.B. LAND PATTERN (MOUNTING SIDE)



A-A (5:1)



NOTE 1 LEAD CO-PLANARITY INCLUDING REINFORCED METAL FITTINGS TO BE 0.1 MAX.
2 NOTE THAT THE REFERENCE TIGHTENING TORQUE IS 0.15 N·m.
3 THE DIMENSIONS IN PARENTHESES ARE FOR REFERENCE.

4	BRASS	TIN-PLATING	2,3	BRASS	CONTACT AREA : GOLD 0.1μm min. LEAD AREA : TIN-PLATING 1μm min. UNDER PLATING : NICKEL 1μm min.
1	POLYAMIDE	BEIGE UL94V-0			
NO.	MATERIAL	FINISH, REMARKS	NO.	MATERIAL	FINISH, REMARKS
CODE NO. (OLD) CL		DRAWN K.DOI '06.09.30	DESIGNED K. Doi '06.09.30	CHECKED K. Ogawa '06.10.04	APPROVED H. Okawa '06.10.04
SCALE 2 : 1		DRAWING NO. EDC3-151389-21		PART NO. FX5-52P-SH3(71)	
UNITS mm		HRS HIROSE ELECTRIC CO., LTD.		CODE NO. CL575-0046-5-71	

TO