

DO NOT SCALE FROM THIS PRINT

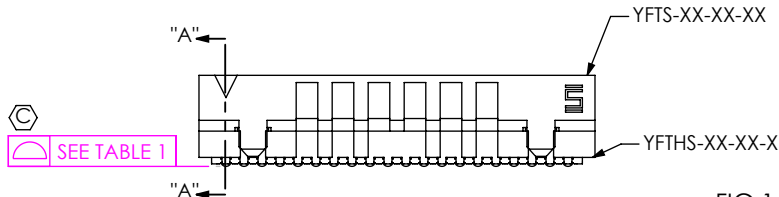
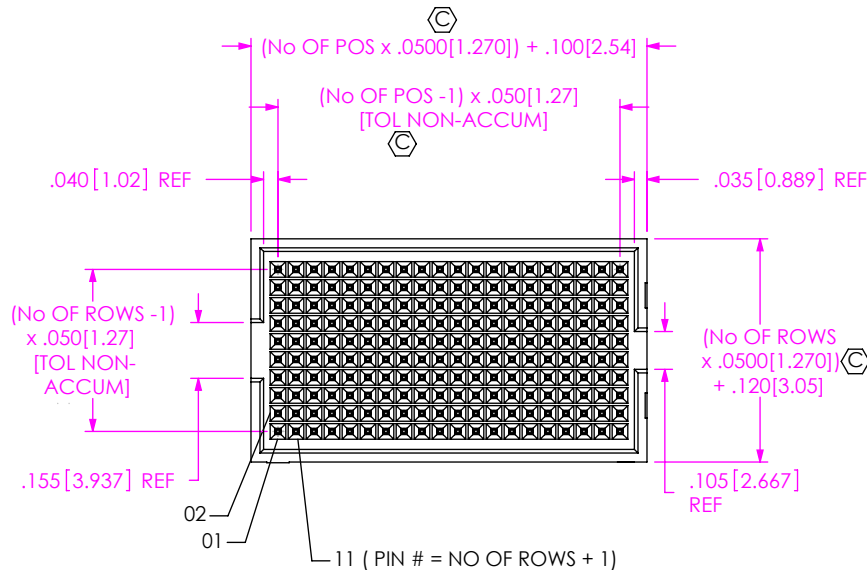
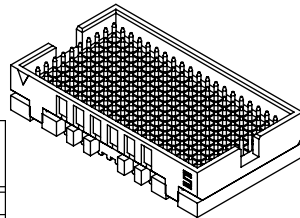


FIG 1

YFW-20-07-X-10-SB SHOWN [STACK HEIGHT -09 & -12 SIMILAR]



YFW-XX-XX-X-XX-XSB-XX

No OF POSITIONS
-20 THRU -50
(MULTIPLES OF 10 ONLY)

MATED STACK HEIGHT w/ YFS

- 07: 7mm
- 09: 9mm
- 12: 12mm
- 19: 19mm (SEE FIG. 2)
- 25: 25mm (SEE FIG. 2)

PLATING SPECIFICATION

- H: HEAVY GOLD (USE T-1R2X-XXB-H-1)
- E: EXTRA GOLD (USE T-1R2X-XXB-E-1)

OPTION

- ** -K: KAPTON PAD (SEE FIG 3) (AVAILABLE ON -07, -09 & -12 MATED STACKS ONLY)
- TR: TAPE & REEL [STACK HEIGHT -07 & -09: ALL POSITIONS -12: POSITIONS UP TO 40x10 -19 & -25: NOT AVAILABLE]
- P: PICK AND PLACE PAD (SEE FIG 4)

SOLDER BALLS

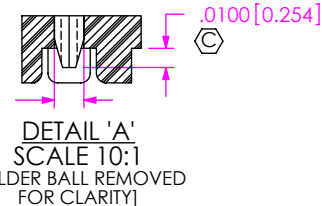
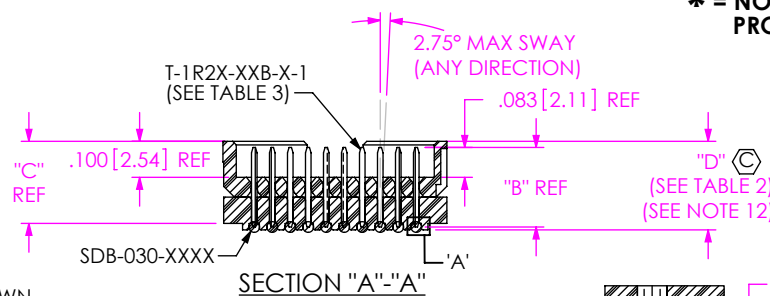
- SB: SOLDER BALLS (USE SDB-030-6337)
- * -MSB: MODIFIED SOLDER BALLS- Pb FREE (USE SDB-030-9653)

ROW SPECIFICATION

- 05: FIVE ROWS
- 08: EIGHT ROWS (AVAILABLE ON -07, -09 & -12 MATED STACKS ONLY)
- 10: TEN ROWS

**** DO NOT DESIGN IN FOR 10-ROW VERSION. ONLY EXISTING CUSTOMERS, AS OF 2/10/06, WILL BE SUPPORTED. -P OPTION SHOULD BE USED FOR 10-ROW VERSION.**

*** = NOT RELEASE FOR PRODUCTION.**



No OF POS	ROW SPEC	COPLANARITY
-20	-05	.004[.10]
-30	-05	.006[.15]
-20 & -30	-08, -10	.006[.15]
-40	-05, -08, -10	.008[.20]
-50	-05	.008[.20]
-50	-08, -10	.010[.25]

STACK HEIGHT	"A" REF	"B" REF	"C"	"D"	MATED HEIGHT w / YFS
-07	.258[6.55]	.221[5.61]	.228[5.79]	.246[6.25]	.276[7.00]
-09	.335[8.51]	.299[7.59]	.306[7.77]	.324[8.23]	.354[9.00]
-12	.453[11.51]	.417[10.59]	.424[10.77]	.442[11.23]	.472[12.00]
-19	.728[18.49]	.692[17.58]	.699[17.75]	.717 ^{+0.005} _{-.008} [18.21]	.748 ^{+0.13} _{-.20} [19.00]
-25	.964[24.49]	.928[23.57]	.935[23.75]	.953 ^{+0.005} _{-.008} [24.21]	.984 ^{+0.13} _{-.20} [25.00]

STACK HEIGHT	TERMINAL	USE YFTHS	USE YFTM	USE YFTHS
-07	T-1R24-07B-X-1	YFTHS-XX-01-XX	N/A	YFTHS-XX-XX-X
-09	T-1R24-09B-X-1	YFTHS-XX-02-XX	N/A	YFTHS-XX-XX-X
-12	T-1R27-12B-X-1	YFTHS-XX-03-XX	N/A	YFTHS-XX-XX-X
-19	T-1R27-19B-X-1	YFTHS-XX-01-XX	YFTM-XX-19-XX	YFTHS-XX-XX-X
-25	T-1R27-25B-X-1	YFTHS-XX-01-XX	YFTM-XX-25-XX	YFTHS-XX-XX-X

ROW	USE YFTHS	USE YFTM	USE YFTHS
-05	YFTHS-XX-XX-05	YFTM-XX-XX-05	YFTHS-XX-05-X
-08	YFTHS-XX-XX-08	-----	YFTHS-XX-08-X
-10	YFTHS-XX-XX-10	YFTM-XX-XX-10	YFTHS-XX-10-X

NOTES:

1. Ⓢ REPRESENTS A CRITICAL DIMENSION.
2. MAXIMUM BURR ALLOWANCE: .0015[0.038]
3. MINIMUM PUSHOUT FORCE; PRE-PROCESS: 8 OZ. POST-PROCESS: 5 OZ
4. MAXIMUM ALLOWABLE BOW; TOP/BOTTOM: .006[0.15], SIDE/SIDE: .003[0.08]
5. ALL DIMS TO BE SYMMETRICAL ABOUT CENTERLINE WITHIN ±.002[0.05].
6. BODY RETENTION BETWEEN WELDED BODIES TO BE 4 LBS MINIMUM TOTAL.
7. MAXIMUM WELD FLASH: .020[0.51]
8. -H PLATING MAY BE SUBSTITUTED FOR -G PLATING.
9. NOTE DELETED.
10. TRAY PACKAGING CAN BE SUBSTITUTED FOR TUBES.
11. MAXIMUM VARIATION BETWEEN SOLDERBALLS: .0040[0.102]
12. CHECK DIMENSION ON ALL 4 CORNERS.

UNLESS OTHERWISE SPECIFIED, DIMENSIONS ARE IN INCHES.

TOLERANCES ARE:

- DECIMALS .XX: ±.01[0.3]
- .XXX: ±.005[0.13]
- .XXXX: ±.0020[0.051]
- ANGLES 2°

PROPRIETARY NOTE
THIS DOCUMENT CONTAINS CONFIDENTIAL AND PROPRIETARY INFORMATION AND ALL DESIGN, MANUFACTURING, REPRODUCTION, USE, PATENT RIGHTS AND SALES RIGHTS ARE EXPRESSLY RESERVED BY SAMTEC, INC. THIS DOCUMENT SHALL NOT BE DISCLOSED, IN WHOLE OR PART, TO ANY UNAUTHORIZED PERSON OR ENTITY NOR REPRODUCED, TRANSFERRED OR INCORPORATED IN ANY OTHER PROJECT IN ANY MANNER WITHOUT THE EXPRESS WRITTEN CONSENT OF SAMTEC, INC.

MATERIAL: DO NOT SCALE DRAWING
INSULATOR: LCP, COLOR: BLACK
TERMINAL: BRASS
SOLDER BALL: 63% TIN/ 37% LEAD

SHEET SCALE: 1.875:1

DESCRIPTION:
Flex, Y, Z, .050 CENTERLINE TERMINAL ASSEMBLY

DWG. NO.
YFW-XX-XX-X-XX-XSB-XX

BY: DEAN P 5/11/2001 **SHEET 1 OF 4**



520 PARK EAST BLVD, NEW ALBANY, IN 47150
PHONE: 812-944-6733 FAX: 812-948-5047
e-Mail: info@SAMTEC.com code: 55322

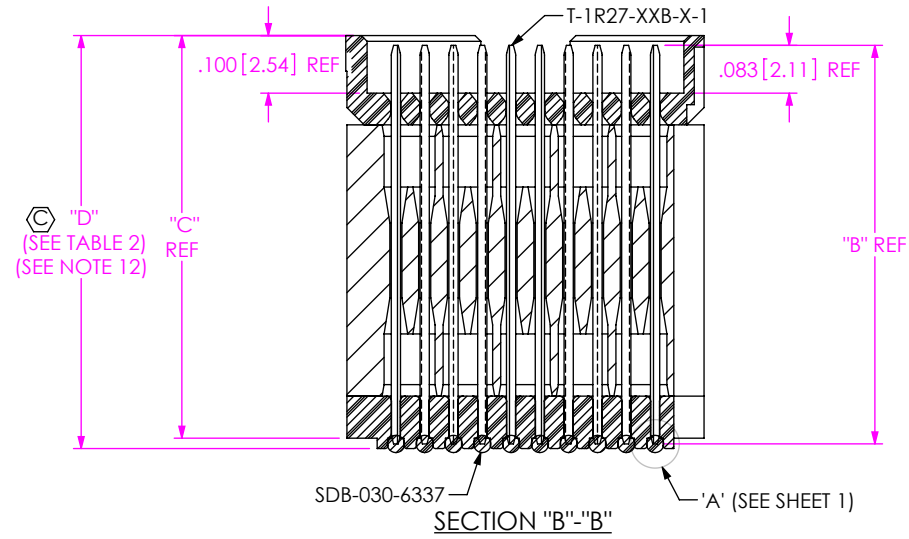
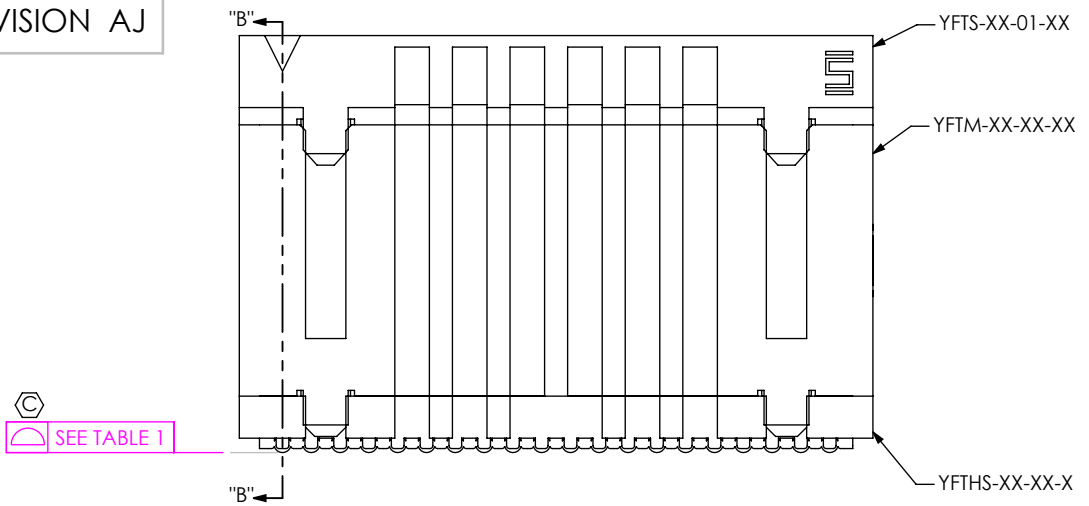
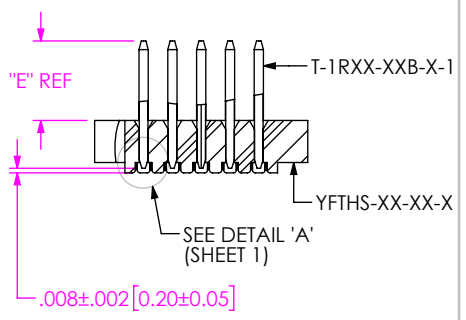
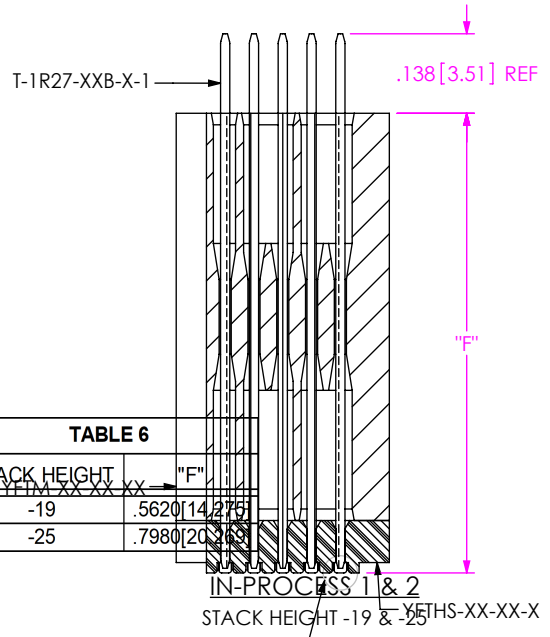


FIG 2
 YFW-20-19-X-10-SB SHOWN
 [STACK HEIGHT -25 SIMILAR]
 (DIFFERENT AS SHOWN, OTHERWISE SAME AS FIG 1)

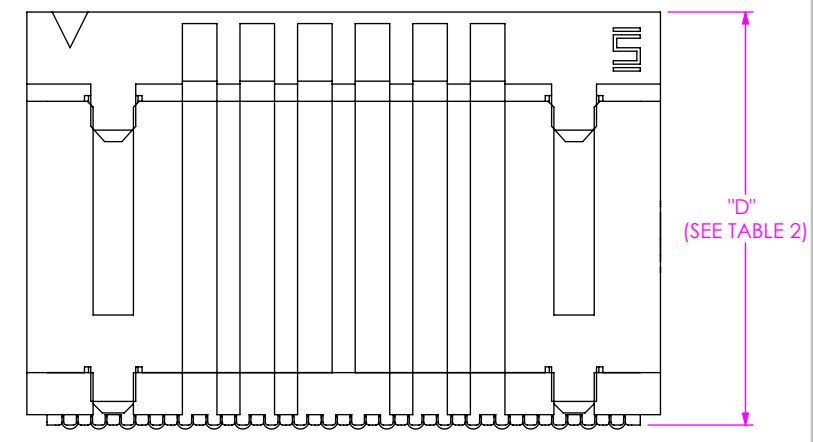


STACK HEIGHT	"E"
-07	.138[3.51]
-09	.216[5.49]
-12	.334[8.48]

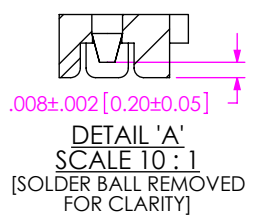


STACK HEIGHT	"F"
-19	.5620[14.276]
-25	.7980[20.265]

SEE IN-PROCESS 4



IN-PROCESS 3
 STACK HEIGHT -19 & -25



IN-PROCESS 4
 RE-PRESS
 STACK HEIGHT -19 & -25

PROPRIETARY NOTE
 THIS DOCUMENT CONTAINS CONFIDENTIAL AND PROPRIETARY INFORMATION AND ALL DESIGN, MANUFACTURING, REPRODUCTION, USE, PATENT RIGHTS AND SALES RIGHTS ARE EXPRESSLY RESERVED BY SAMTEC, INC. THIS DOCUMENT SHALL NOT BE DISCLOSED, IN WHOLE OR PART, TO ANY UNAUTHORIZED PERSON OR ENTITY NOR REPRODUCED, TRANSFERRED OR INCORPORATED IN ANY OTHER PROJECT IN ANY MANNER WITHOUT THE EXPRESS WRITTEN CONSENT OF SAMTEC, INC.

DO NOT SCALE DRAWING
 SHEET SCALE: 1.875:1



520 PARK EAST BLVD, NEW ALBANY, IN 47150
 PHONE: 812-944-6733 FAX: 812-948-5047
 e-Mail: info@SAMTEC.com code: 55322

DESCRIPTION:
 FleX, Y, Z, .050 CENTERLINE TERMINAL ASSEMBLY
 DWG. NO.

YFW-XX-XX-X-XX-XSB-XX

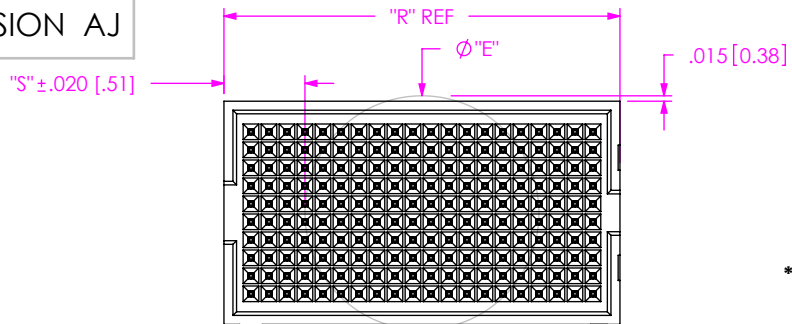
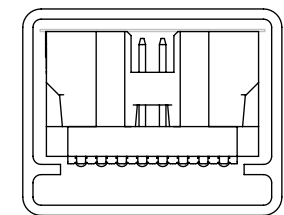


FIG 3
-K: PAD OPTION
YFW-20-XX-X-10-SB-K SHOWN
[PAD = .005 THICK]

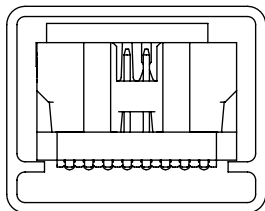
ROW OPTION	"E"	KAPTON TAPE
-05	.404 [10.25]	K-DOT-.404-.500-.005
-08	.550 [13.97]	K-850-650
-10**	.650 [16.50]	K-1000-800

** DO NOT DESIGN IN FOR 10-ROW VERSION. ONLY EXISTING CUSTOMERS, AS OF 2/10/06, WILL BE SUPPORTED. -P OPTION SHOULD BE USED FOR 10-ROW VERSION.

"R" = (No OF POSITIONS x .0500[1.270]) + .100[2.54]
"S" = ("R" - "E" / 2)



-08 ROW
YFW-XX-09-X-08-SB-K SHOWN

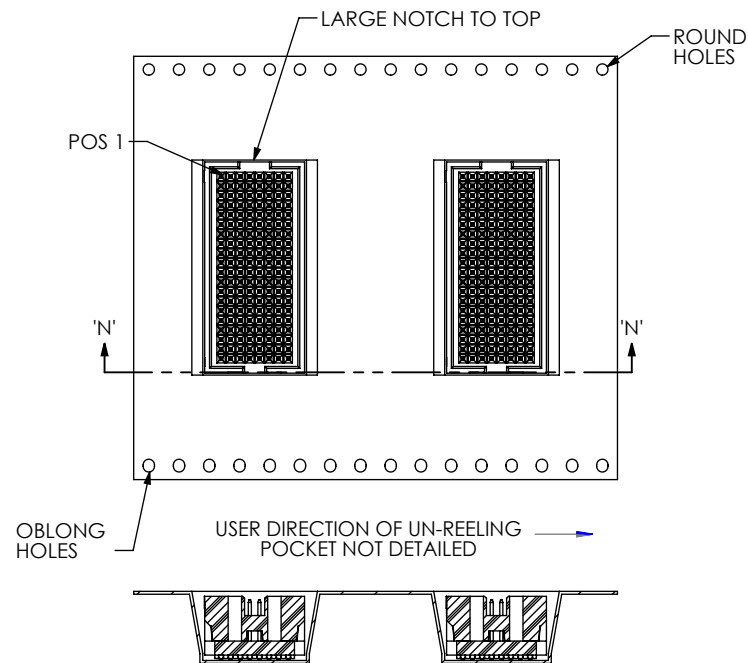


-08 ROW
YFW-XX-09-X-08-SB-P SHOWN

PACKAGING TUBE
(SEE NOTE 10)

(PARTS TO HAVE POSITION #1 LOADED IN SAME DIRECTION AS ARROW ON TUBE)

ROW	STACK HEIGHT	TUBE W/ NONE, -K	TUBE W/ -P	PLUG
-05	-07	PT-1-24-07F-109	PT-YFW-07F-P	TP-29
-05	-09	PT-1-24-09F-109	PT-YFW-09F-P	TP-29
-05	-12	PT-YFW-12F-P	PT-YFW-12F-P	TP-13
-05	-19	PT-1-24-19F-109	PT-1-24-01-131	TP-13
-05	-25	PT-1-24-25F-109	PT-YFW-25F-P	TP-29
-08	-07	PT-YFW-07E-P	PT-YFW-07E-P	TP-13
-08	-09	PT-1-24-09E-109	PT-YFW-09E-P	TP-29
-08	-12	PT-1-24-12E-109	PT-YFW-12E-P	TP-29
-10	-07	PT-1-24-07T-109	PT-1-24-07T-109	TP-13
-10	-09	PT-1-24-09T-109	PT-YFW-09T-P	TP-13
-10	-12	PT-1-24-12T-109	PT-YFW-12T-P	TP-28
-10	-19	PT-1-24-19T-109	PT-YFW-19T-P	TP-26
-10	-25	PT-1-24-25T-109	PT-YFW-25T-P	TP-28



SECTION 'N'-'N'
SCALE 1 : 1

TAPE AND REEL VIEW

F:\DWG\MISC\MKTG\YFW-XX-XX-X-XX-XSB-XX-MKT.SLDDRW

PROPRIETARY NOTE
THIS DOCUMENT CONTAINS CONFIDENTIAL AND PROPRIETARY INFORMATION AND ALL DESIGN, MANUFACTURING, REPRODUCTION, USE, PATENT RIGHTS AND SALES RIGHTS ARE EXPRESSLY RESERVED BY SAMTEC, INC. THIS DOCUMENT SHALL NOT BE DISCLOSED, IN WHOLE OR PART, TO ANY UNAUTHORIZED PERSON OR ENTITY NOR REPRODUCED, TRANSFERRED OR INCORPORATED IN ANY OTHER PROJECT IN ANY MANNER WITHOUT THE EXPRESS WRITTEN CONSENT OF SAMTEC, INC.

DO NOT SCALE DRAWING

SHEET SCALE: 1.875:1



520 PARK EAST BLVD, NEW ALBANY, IN 47150
PHONE: 812-944-6733 FAX: 812-948-5047
e-Mail: info@SAMTEC.com code: 55322

DESCRIPTION:
Flex, Y, Z, .050 CENTERLINE TERMINAL ASSEMBLY

DWG. NO. YFW-XX-XX-X-XX-XSB-XX

BY: DEAN P 5/11/2001 SHEET 3 OF 4

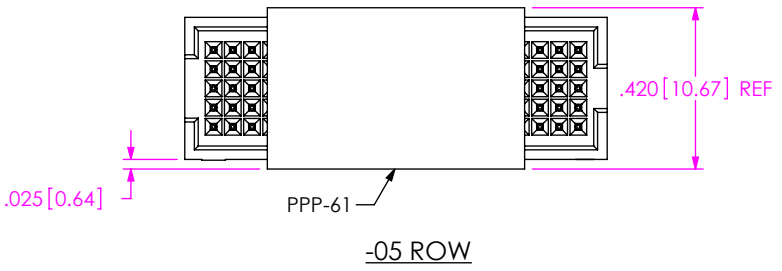
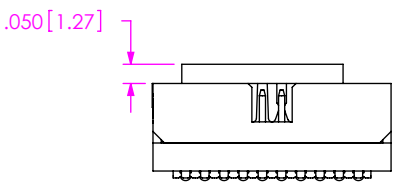
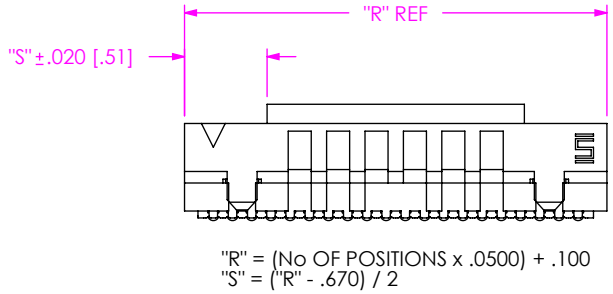
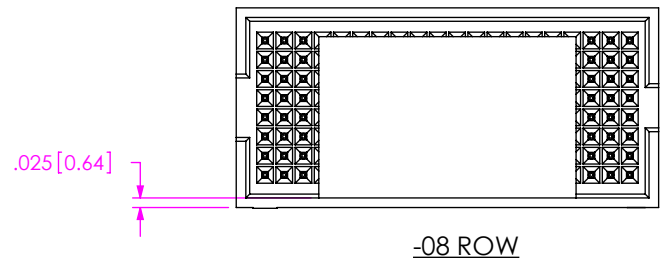
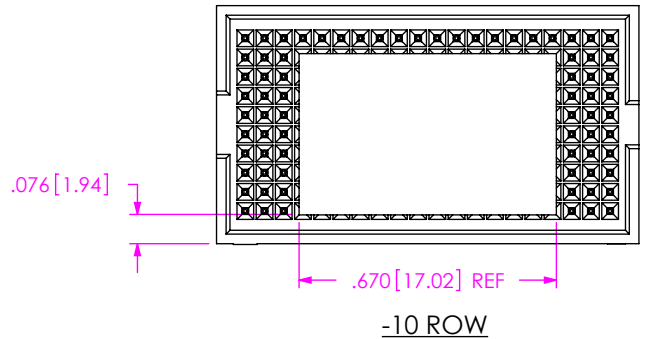


FIG 4
 -P: PICK AND PLACE OPTION

PROPRIETARY NOTE
 THIS DOCUMENT CONTAINS CONFIDENTIAL AND PROPRIETARY INFORMATION AND ALL DESIGN, MANUFACTURING, REPRODUCTION, USE, PATENT RIGHTS AND SALES RIGHTS ARE EXPRESSLY RESERVED BY SAMTEC, INC. THIS DOCUMENT SHALL NOT BE DISCLOSED, IN WHOLE OR PART, TO ANY UNAUTHORIZED PERSON OR ENTITY NOR REPRODUCED, TRANSFERRED OR INCORPORATED IN ANY OTHER PROJECT IN ANY MANNER WITHOUT THE EXPRESS WRITTEN CONSENT OF SAMTEC, INC.

DO NOT SCALE DRAWING
 SHEET SCALE: 2:1



520 PARK EAST BLVD, NEW ALBANY, IN 47150
 PHONE: 812-944-6733 FAX: 812-948-5047
 e-Mail: info@SAMTEC.com code: 55322

DESCRIPTION:
 FleX, Y, Z, .050 CENTERLINE TERMINAL ASSEMBLY

DWG. NO.
YFW-XX-XX-X-XX-XSB-XX

BY: DEAN P 5/11/2001 SHEET 4 OF 4