



OBSAI RP3 IP Core

User's Guide

Introduction

This document provides technical information about the Lattice Open Base Station Architecture Initiative Reference Point 3 Specification (OBSAI RP3) IP core. This IP core, together with SERDES and Physical Coding Sub-layer (PCS) functionality integrated in the LatticeSC™, LatticeSCM™, and LatticeECP2M™ FPGAs, implements the physical and data link layers of the OBSAI RP3 specification and can be used in applications connecting wireless baseband and RF modules.

The OBSAI RP3 IP core comes with the following documentation and files:

- Data sheet
- Netlist/database (.ngo format)
- Behavioral RTL simulation model
- Source files for instantiating and evaluating the core

The OBSAI RP3 IP core supports Lattice's IP hardware evaluation capability, which makes it possible to create versions of the IP core that operate in hardware for a limited period of time (approximately one hour) without requiring the purchase on an IP license. It may also be used to evaluate the core in hardware in user-defined designs. Details for using the hardware evaluation capability are described in the Hardware Evaluation section of this document.

In the following text, the words transmit and receive refer to the direction of data flow with respect to the boundary of the device on the external OBSAI RP3 interface.

Features

- Supports the physical link layer of the OBSAI RP3 specification
- Supports the data link layer of the OBSAI RP3 specification
- Supports the three standard bit rates of the OBSAI RP3 specification (768 Mbps, 1536 Mbps, and 3072 Mbps)
- Supports the optional 8-byte maximum for the receiver offset window.
- OBSAI data link parameter values specified at core generation time include:
 - Number of bytes per frame (FRM_BYTES = (even values of 308 to 79686912)
 - Number of Message Groups in Master Frame (RATE_INDEX*N_MG = 4 to 16383)
 - Number of Messages in Message Group (M_MG = 4 to 255)
 - Number of IDLE bytes at end of Message Group (K_MG = 1 to 19)
 - Index that determines line rate (RATE_INDEX = 1, 2, 4)
 - Number of bytes in code violation check block (0 < BLOCK_SIZE < 65536)
 - Number of consecutive valid blocks to achieve byte synchronization (0 < SYNC_T < 65536)
 - Number of consecutive invalid blocks to lose byte synchronization (0 < UNSYNC_T < 65536)
 - Number of valid message groups to achieve frame synchronization (0 < FRAME_SYNC_T < 65536)
 - Number of invalid message groups to lose frame synchronization (0 < FRAME_UNSYNC_T < 65536)

New in Version 3.0 (see Addendum for details):

- Support for Transport layer multiplexing/demultiplexing
- RP3-01 Messaging support: Clock Burst, RTT Measurement, Virtual Hardware Reset
- Ethernet messaging

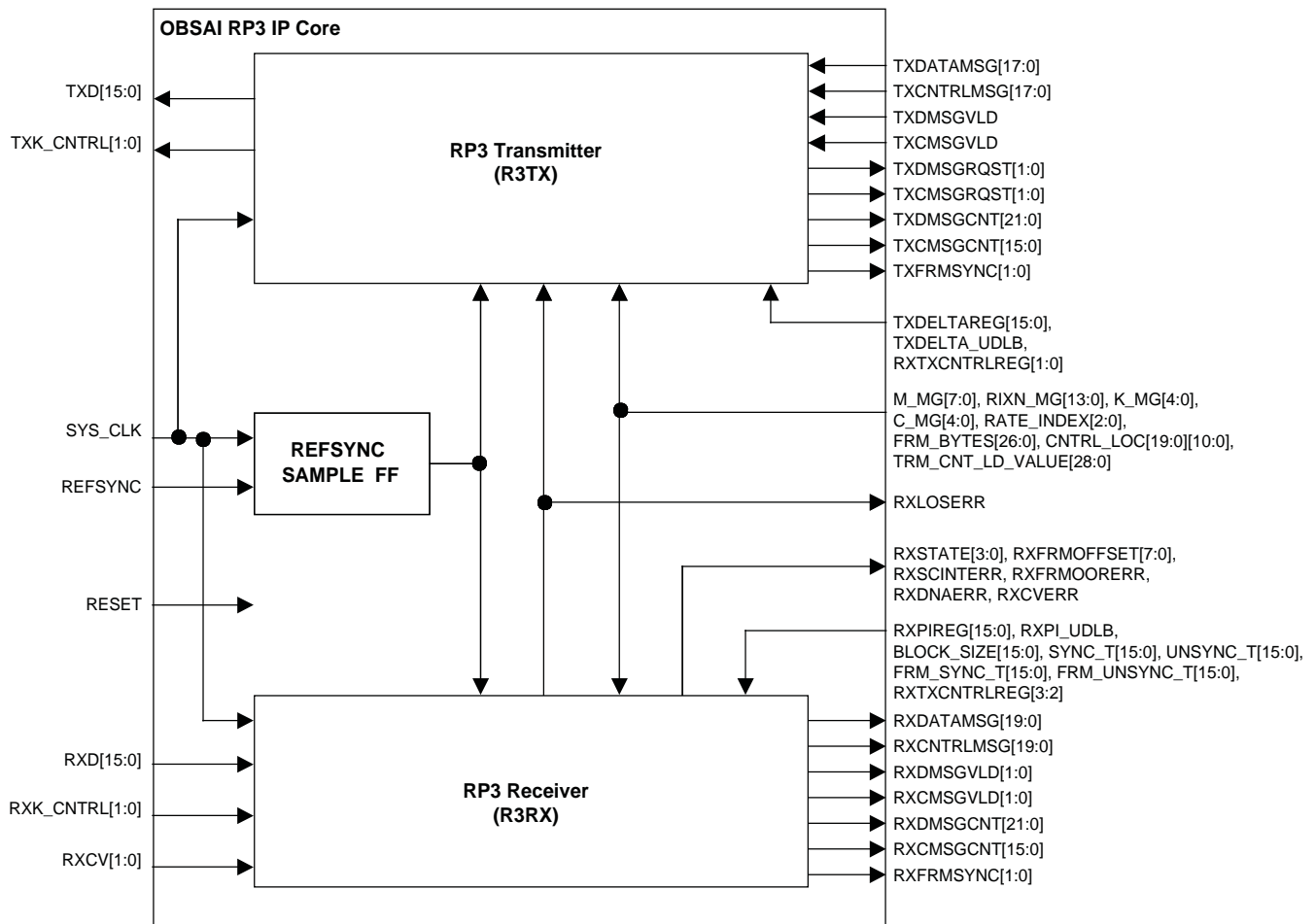
General Description

Figure 1 shows a block diagram of the OBSAI RP3 IP core. The OBSAI RP3 IP core, together with SERDES and Physical Coding Sublayer (PCS) functions integrated in the LatticeSC/M or LatticeECP2M series FPGA, implements the physical and data link layers of the OBSAI RP3 specification.

Figure 2 shows a system-level block diagram of the OBSAI RP3 IP core instantiated in a LatticeSC/M, or LatticeECP2M series FPGA. As indicated in Figure 2, additional IP cores may be instantiated to support multiple RP3 data links.

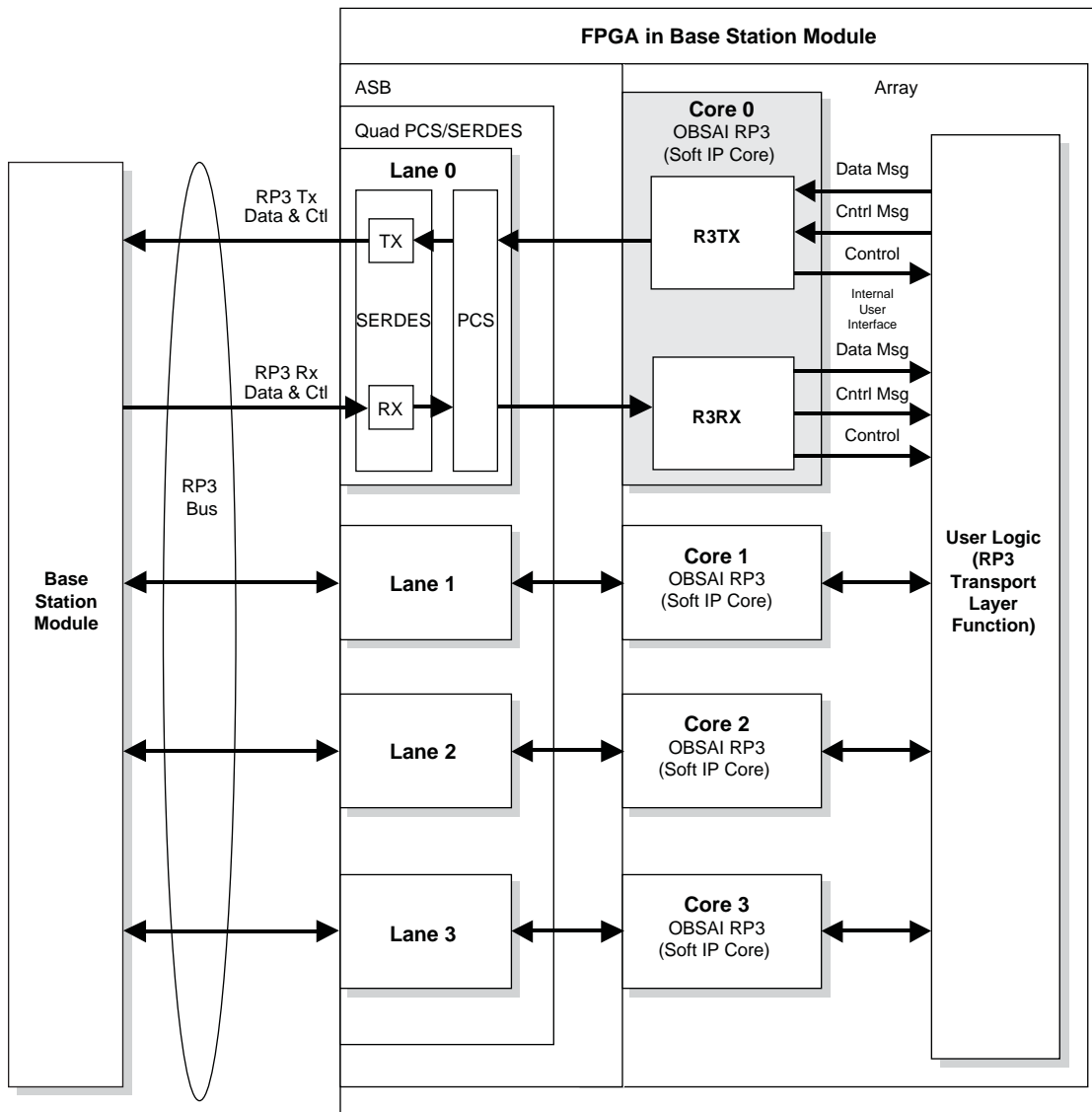
Core Block Diagram

Figure 1. OBSAI RP3 IP Core Block Diagram



System-Level Block Diagram

Figure 2. OBSAI RP3 IP Core System-Level Block Diagram



Core Signal Descriptions

Table 1. OBSAI RP3 I/O Signal List

Signal Name	Direction	Description
External RP3 Line Side Signals		
RXD[15:0]	Input	Data byte received from PCS/SERDES block
RXK_CNTRL[1:0]	Input	Data code-group or special code-group indicator received from PCS/SERDES block (0 = data code-group, 1 = special code-group)
RXCV[1:0]	Input	Code-group violation indicator received from PCS/SERDES block High-speed Data Output Positive - Quad SERDES high speed outputs
TXD[15:0]	Output	Data word sent to PCS/SERDES block
TXK_CNTRL[1:0]	Output	Data code-group or special code-group indicator sent to PCS/SERDES block (0 = data code-group, 1 = special code-group)
Internal User Interface Signals		
R3RX Related Signals Unique to Each Receiver		
RXPIREG[15:0]	Input	Receive PI – This is the amount of delay from the frame tick to the transmitted frame boundary. Value of RXPI is given in byte-clock ticks.
RXPI_UDLB	Input	Receive PI Update Low Byte – A pulse on this lead indicates that input RXPIREG[3:0] has been updated. This sends the receive state machine to the UNSYNC state.
RXDATAMSG[19:0]	Output	Receive Data Message – user-side data message received from RP3 link.[15:0] = Receive Data Message data,[16], [18] = Receive K_Control - Indicates whether the current data message byte is data or K-control.[17], [19] = Receive Code Violation - Indicates a 10B code violation on the associated data and control.
RXCNTLMSG[19:0]	Output	Receive Control Message – user-side control message received from RP3 link.[15:0] = Receive Control Message data,[16], [18] = Receive K_Control - Indicates whether the current control message byte is data or K-control.[17], [19] = Receive Code Violation - Indicates a 10B code violation on the associated data and control.
RXDMSGVLD[1:0]	Output	Receive Data Message Valid – Indicates that output RXDATAMSG[19:0] contains a valid incoming data message identified by output RXDMSGCNT[19:0]. A '1' on Bit 0 indicates the message begins with the high byte (transmitted first), a '1' on Bit 1 indicates a low byte message start.
RXCMSGVLD[1:0]	Output	Receive Control Message Valid – Indicates that output RXCNTLMSG[19:0] contains a valid incoming data message identified by output RXCMSGCNT[31:0]. A '1' on Bit 0 indicates the message begins with the high byte (transmitted first), a '1' on Bit 1 indicates a low byte message start.
RXDMSGCNT[21:0]	Output	Receive Data Message Count – Identifies the data message to which the data currently being driven out on RXDATAMSG[31:0] belongs. Takes values from 0 up to $((M_MG - 1) * RATE_INDEX * N_MG) - 1$.
RXCMSGCNT[15:0]	Output	Receive Control Message Count – Identifies the control message to which the data currently being driven out on RXCNTLMSG[31:0] belongs. Takes values from 0 up to $(RATE_INDEX * N_MG) - 1$.
RXFRMSYNC[1:0]	Output	Receive Frame Sync – Clock wide pulse that marks the received frame boundary (first clock cycle of frame). A '1' on Bit 0 indicates the frame begins with the high byte (transmitted first), a '1' on Bit 1 indicates a low byte frame start.
RXSTATE[3:0]	Output	Receive State – Indicates which of its possible states the receive state machine is in. This is a one-hot state machine with the following state values: UNSYNC = 0x8, WAIT_FOR_K28.7_IDLE = 0x4, WAIT_FOR_FRAME_SYNC_T = 0x2, FRAME_SYNC = 0x1
RXSCINTERR	Output	Receive State Change Interrupt – Four clock wide pulse that indicates the receive state machine has had a change of state.
RXFRMOORERR	Output	Receive Master Frame Out-Of-Range – This error is indicated when received Master Frame is detected outside the allowed 5-byte wide window. Value '0' indicates offset within the allowed range while '1' indicates out-of-range situation.
RXDNAERR	Output	Receive Data Not Aligned Error – This error indicates that the receiver cannot align data in state WAIT_FOR_K28.7_IDLE due to out of range K28.7 IDLE.

Table 1. OBSAI RP3 I/O Signal List (Continued)

Signal Name	Direction	Description
RXCVERR	Output	Receive Code Violation Error – Indicates that one of the received 10B codes was invalid.
RXLOSERR	Output	Receive Loss-of-Signal Error – Indicates that the receive state machine is in the UNSYNC state.
RXFRMOFFSET[7:0]	Output	Receive Master Frame Offset – This output contains a count of how long after the frame tick plus PI the receive frame boundary occurs. If the offset exceeds 255 a value of 255 is returned.
R3TX Related Signals Unique to Each Transmitter		
TXDATAMSG[17:0]	Input	Transmit Data Message – user-side data message transmitted to RP3 link (2 bytes wide). ([15:0] = Transmit Data, [16,17] = Transmit k-cntrl)
TXCNTRLMSG[17:0]	Input	Transmit Control Message – user-side control message transmitted to RP3 link (2 bytes wide). ([15:0] = Transmit Data, [16,17] = Transmit k-cntrl)
TXDMSGVLD	Input	Transmit Data Message Valid – Indicates that Input TXDATAMSG[15:0] contains a valid outgoing data message.
TXCMSGVLD	Input	Transmit Control Message Valid – Indicates that Input TXCNTRLMSG[15:0] contains a valid outgoing control message.
RXTXCNTLREG[3:0]	Input	Receive Transmit Control Register – [0] Transmit Enable - This bit enables or disables the transmitter (0=disable, 1=enable). [1] Loss Of Signal Enable - This bit enables or disables the impact of receive signal LOS on transmitter state machine (0=disable, 1=enable). [2] Pass receive messages - This bit is used to allow messages to be passed to the transport layer regardless of the offset (0=pass if within max_offset window, 1= pass always). [3] Receive max_offset window - This bit selects the max_offset value for the receiver (0=4 bytes, 1=8 bytes).
TXDELTAREG[15:0]	Input	Transmit DELTA – This parameter specifies the amount of delay from the frame tick to the expected boundary of the received frame. Value of TXDELTA is given in byte-clock ticks.
TXDELTA_UDLB	Input	Transmit DELTA Update Low Byte – A pulse on this lead indicates that TXDELTAREG has been updated. This sends the transmit state machine from the IDLE state to the FRAME_TX state.
TXDMSGCNT[21:0]	Output	Transmit Data Message Count – Identifies the data message byte that is currently being requested by TXDMSGGRQST[3:0]. Takes values from 0 up to M_MG*N_MG-1.
TXCMSGCNT[15:0]	Output	Transmit Control Message Count – Identifies the control message byte that is currently being requested by TXCMSGRQST[3:0]. Takes values from 0 up to (N_MG*4) - 1.
TXDMSGRQST[1:0]	Output	Transmit Data Message Request – Requests the data message (to be supplied on input TXDATAMSG[15:0]) identified by output TXDMSGCNT[21:0]. A '1' on Bit 0 requests the message begin with the high byte (transmitted first), a '1' on Bit 1 requests a low byte message start.
TXCMSGRQST[1:0]	Output	Transmit Control Message Request – Requests the control message (to be supplied on input TXCNTRLMSG[15:0]) identified by output TXCMSGCNT[15:0]. A '1' on Bit 0 requests the message begin with the high byte (transmitted first), a '1' on Bit 1 requests a low byte message start.
TXFRMSYNC[1:0]	Output	Transmit Frame Sync – Clock wide pulse that marks the transmit frame boundary (first clock cycle of frame). A '1' on Bit 0 indicates the frame begins with the high byte, a '1' on Bit 1 indicates a low byte frame start.
OBSAI RP3 Related Signals Common to all Receivers and Transmitters		
SYS_CLK	Input	IP Core System Clock (38.4 MHz, 76.8 MHz, or 153.6 MHz)
RSTN	Input	IP Core Reset (active low).
REFSYNC	Input	Reference Sync – Sync signal distributed from the centralized BTS system.

Parameter Descriptions

The synthesis affecting parameters are shown in Table 2.

Table 2. OBSAI RP3 Core Configuration Parameters

Parameter	Value Range	Description
OFFSET_8	0 or 1	Determines whether the optional receiver MAX_OFFSET of 8 will be supported.
RATE_INDEX	Multiplier on base rate of 768 Mbps to set line rate	1,2, or 4
M_MG	Number of messages in message group	4 to 255
N_MG	Number of message groups in master frame for line rate 768 Mbps	4 to 16383/RATE_INDEX
K_MG	Number of idles at end of message group	1 to 19
BLOCK_SIZE	Number of bytes in code violation check block	1 to 65535
SYNC_T	Number of consecutive valid blocks to achieve byte synchronization	1 to 65535
UNSYNC_T	Number of consecutive invalid blocks to lose byte synchronization	1 to 65535
FRAME_SYNC_T	Number of consecutive valid message groups to achieve frame synchronization	1 to 65535
FRAME_UNSYNC_T	Number of consecutive invalid message groups to lose frame synchronization	1 to 65535

Note: This design supports even numbers of frame bytes only. $RATE_INDEX * N_MG_VALUE * ((M_MG_VALUE * 19) + K_MG_VALUE)$ must produce an even number.

Interface Timing and Electrical Specifications

Please see the LatticeSC/M or LatticeECP2M Family Data Sheet for detailed SERDES and FPGA interface timing and electrical specifications.

Functional Description

The OBSAI RP3 IP core is made up of two different blocks referred to as the Transmitter (R3TX) and the Receiver (R3RX). One side of these blocks interfaces to the PCS/SERDES module of the LatticeSC/M, or LatticeECP2M FPGA ASB. The other side interfaces to the user logic that implements the transport layer of the RP3 protocol.

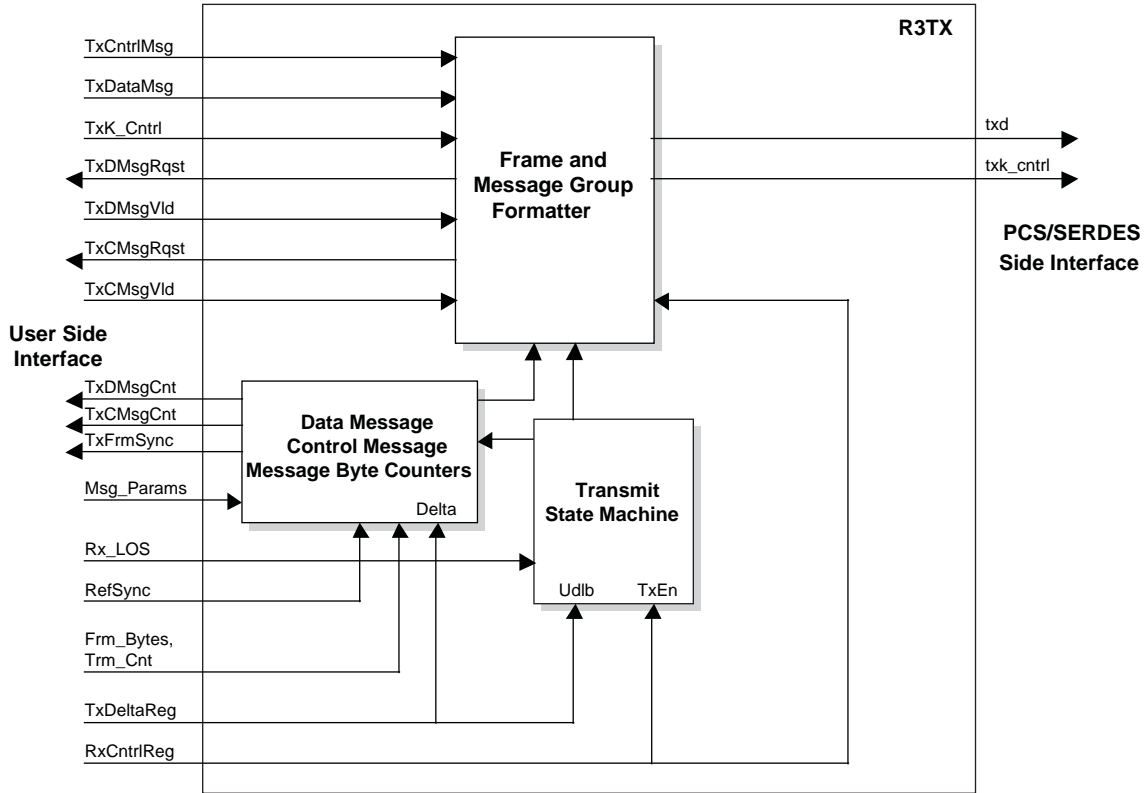
As indicated in Figure 2, the OBSAI RP3 IP core is expected to be used in conjunction with additional user-side logic that interfaces to the IP core via a 16-bit data message bus, a 16-bit control message bus, and some miscellaneous control bits in both the transmit and the receive directions.

Data Flow

Transmit Direction

The transmit path, shown in Figure 3, is the path from internal user logic towards the PCS/SERDES interface. In this direction, the RP3 Transmitter (R3TX) multiplexes the data messages and control messages received from the Transport Layer in the user's logic on a per-message basis onto the 16-bit wide data and 2-bit wide control interface to the PCS/SERDES of the LatticeSC/M or LatticeECP2M FPGA. The PCS/SERDES converts this 16-bit wide data and 2-bit wide control into 10-bit codes that are then sent out on the RP3 line.

Figure 3. R3TX Path

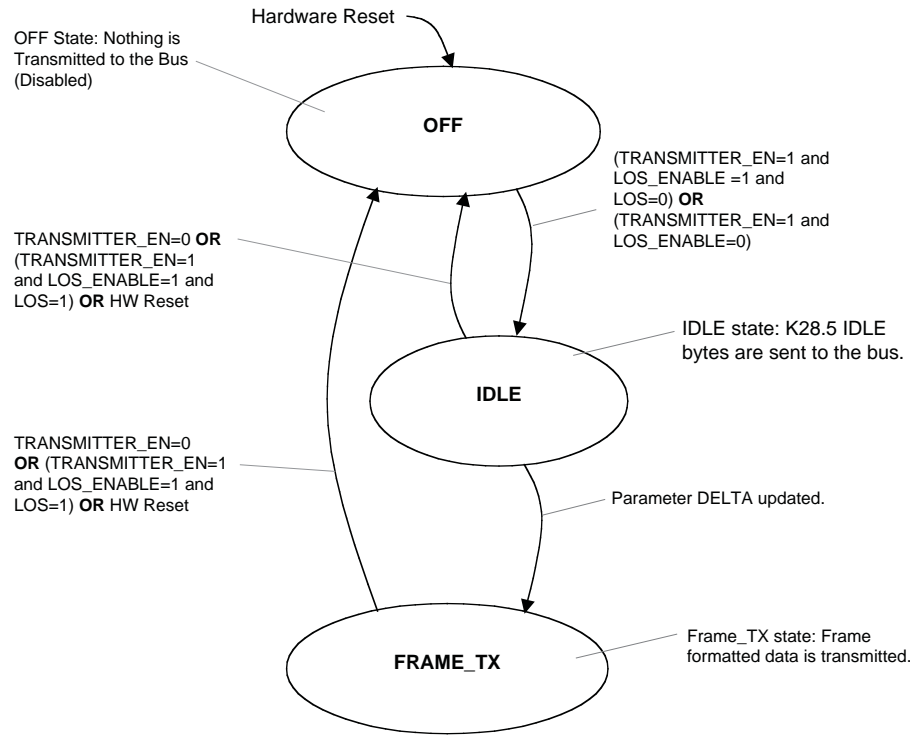


The R3TX uses the Bus Frame Tick (RefSync) received from the Control and Clock Module (CCM) through a primary input on the LatticeSC/M or LatticeECP2M FPGA to synchronize the byte and message counters to those in other base station modules. At a particular node all receivers need to be receiving the Master Frame boundary at the same time. To allow for differences in delay from transmitters to receivers, a programmable variable (DELTA) is given to each transmitter during initialization by writing the corresponding register in the register module of the top level template. This variable is used to set the delay from the Bus Frame Tick to the Master Frame boundary for that particular transmitter. The value of this parameter can be either positive or negative.

The byte and message counters are used to generate message identification numbers and requests to the transport layer in the user logic. The user logic uses the counter values and the requests to supply messages at the proper time and in the proper sequence.

The transmitter state machine specified in the OBSAI RP3 Specification is shown in Figure 4. The operation of the transmitter in the OBSAI RP3 IP core conforms to this state diagram.

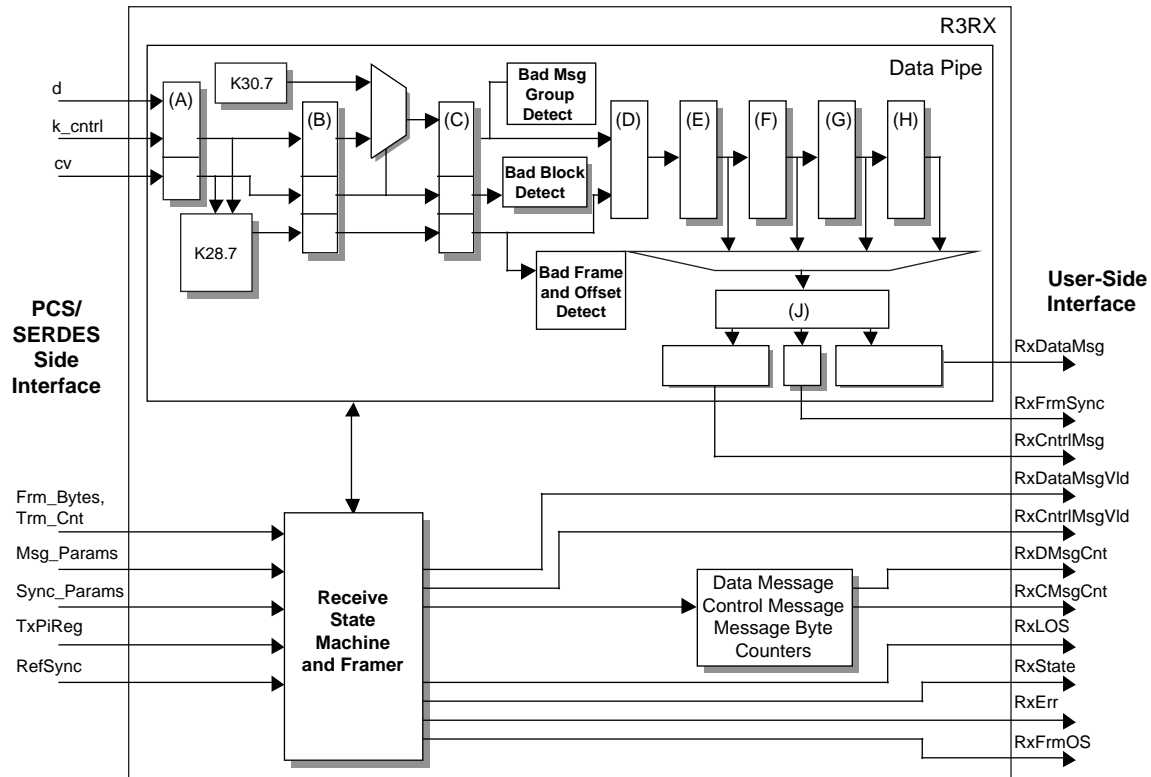
Figure 4. Transmitter State Diagram



Receive Direction

The receive path, shown in Figure 5, is the path from the PCS/SERDES interface towards the internal user logic. In this direction, the RP3 receiver (R3RX) demultiplexes the data messages and control messages received from the RP3 line through the PCS/SERDES of the LatticeSC/M or LatticeECP2M FPGA and passes them on to the user's logic. The PCS/SERDES converts the RP3 line serial 10-bit code to the 16-bit wide data and 2-bit wide control that is sent to the R3RX.

Figure 5. R3RX Path



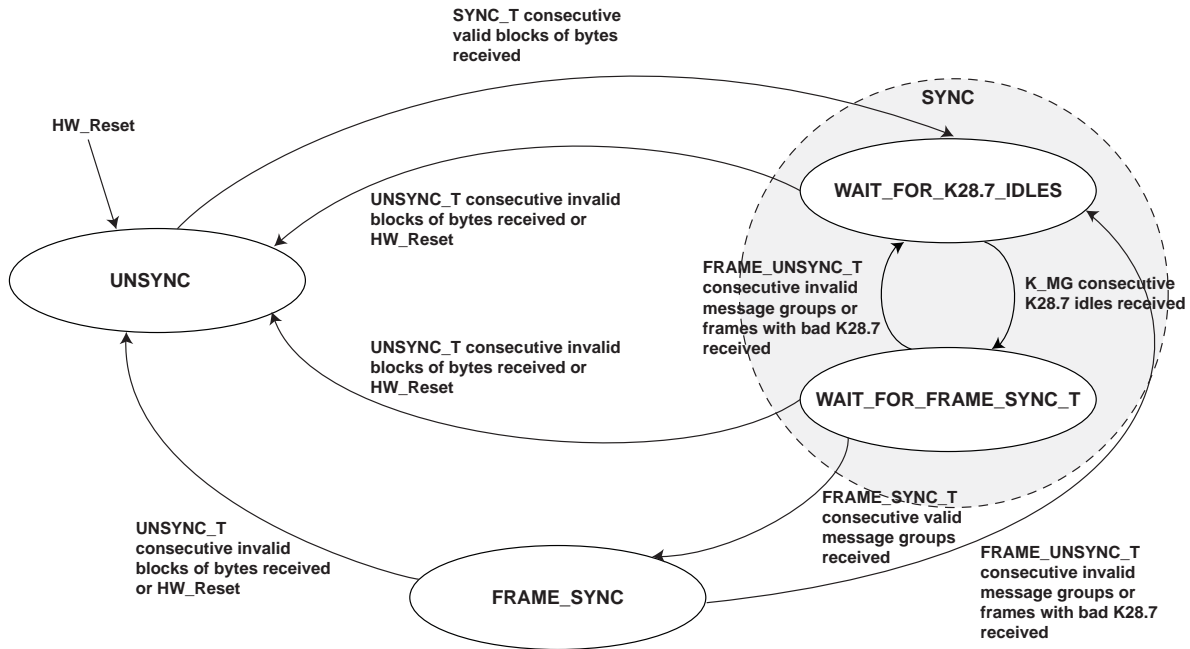
The inputs from the PCS/SERDES are latched and then the K28.7 detect circuit looks for a 0xFC on the data, a 0x1 on k_control, and a 0x0 on the Code Violation rail. This circuit passes a one to the next data pipe stage when this pattern is detected, otherwise it passes a zero. At the next stage the Code Violation rail is used to select incoming data and control or K30.7 and k_control of one. If the Code Violation rail has a one on it the data is forced to 0xFE and the k_control is forced to one, otherwise it passes the incoming data and control. The result of this action is to replace all incoming bytes that were derived from an invalid 10-bit code with a K30.7 as required by the RP3 Specification.

At the next data pipe stage there are three detectors:

- The first of these detectors looks for consecutive bad blocks and consecutive good blocks. A block consists of BLOCK_SIZE (stored in one of the accessible registers) bytes. If a block contains any byte with a code violation it is marked bad, otherwise it is marked good. Consecutive bad blocks are counted and consecutive good blocks are counted.
- The second of these detectors looks for consecutive bad messages and consecutive good messages. A message group is marked good if the first (M_MG)*19 bytes are data or K30.7 and the last K_MG bytes are K28.5, K28.7, or K30.7, otherwise it is marked bad. Consecutive bad message groups are counted and consecutive good message groups are counted.
- The third of these detectors looks for consecutive frames with bad K28.7 at the Master Frame boundary. A frame is considered to have good K28.7 if all K_MG bytes that are expected to have K28.7 correctly have it, otherwise the frame is considered bad. Consecutive frames with bad K28.7 are counted. These counts are used by the Receive State Machine to synchronize to the incoming bytes.

The Receive State Machine diagram is shown in Figure 6. This figure is taken from the RP3 Specification. A modification has been made that forces the state machine to re-acquire frame synchronization if K28.7 no longer occurs in the proper place for FRAME_UNSYNC_T frames.

Figure 6. Receiver State Diagram



Start-Up Procedures

R3TX

Following reset, the R3TX transmit state machine is in the OFF state where it sends continuous K30.7 to the PCS/SERDES module. When the transmitter is turned on, by writing the transmit control register to enable the transmitter and having the LOS signal active if the LOS_EN bit was written to active, the transmit state machine goes to the IDLE state and K28.5 is sent to the PCS/SERDES. When the DELTA parameter register is updated the transmit state machine goes to the FRAME_TX state and starts to transmit frame formatted data

R3RX

Following reset, the R3RX receive state machine is in the UNSYNC state where no data is passed to the user. The incoming blocks of data are checked for validity. When SYNC_T consecutive blocks of bytes are valid, the receive state machine goes to the WAIT_FOR_K28.7_IDLES state. When K_MG consecutive K28.7 idles have been received, the receive state machine goes to the WAIT_FOR_FRAME_SYNC_T state. When FRAME_SYNC_T consecutive valid message groups have been received, the receive state machine goes to the FRAME_SYNC state. In this state, received messages are passed to the user.

User Interface Timing Diagrams

This section provides interface timing diagrams for the user-side interface, conveying general behavior as well as the active edges for transfer and sampling. All messages are 19 bytes in length and contain the associated message counter contents. The frame used for these diagrams has the following parameters: M_MG =5, N_MG= 4, K_MG = 5, and RATE_INDEX = 1.

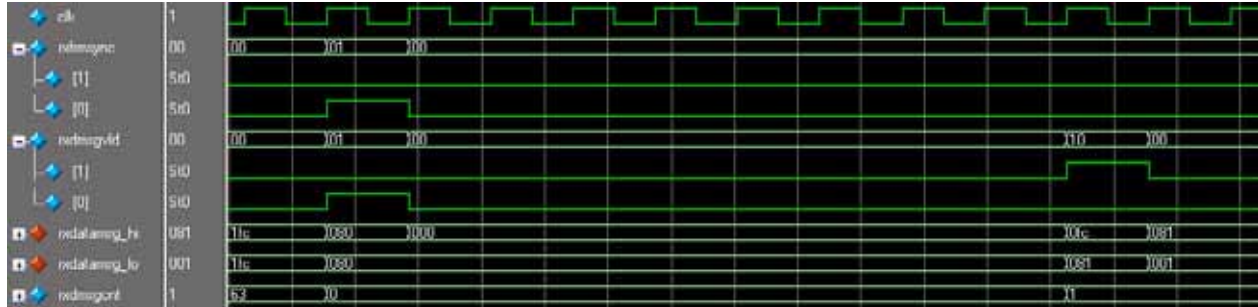
R3RX Receive User Message Interface

Data messages are passed from the core to the user in data bus RXDATAMSG[19:0]. The high byte (RXDATAMSG[15:8]) contains the first byte received by the core on the line side interface and the low byte (RXDATAMSG[7:0]) contains the second byte received. RXDATAMSG[19:18] contains the control (code violation and k_control) associated with the high byte and RXDATAMSG[17:16] contains the control (code violation and k_control) associated with the low byte. The two bit control output RXDMSGVLD is used to indicate the validity and starting byte of the message. RXDMSGVLD[0] lasts for one clock and indicates a valid message beginning with the high byte. RXDMSGVLD[1] lasts for one clock and indicates a valid message beginning with the low byte. The 21-

bit output RXDMSGCNT indicates the number of the current data message. This output is updated when RXDMSGVLD[1:0] goes active.

Figure 7 shows the first data message in a frame. RXFRMSYNC[0] indicates a new frame beginning with on the high byte. RXDMSGVLD[0] indicates a message starting with the high byte, followed by the remainder of the 19-byte message. The subsequent message begins on the low byte.

Figure 7. R3RX User Data Message Interface (Message Starts in Low Byte)



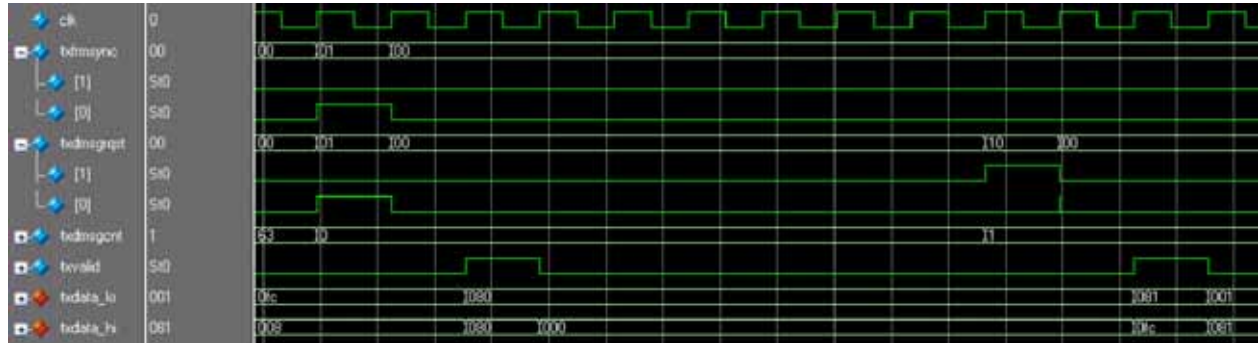
Similarly, control messages are passed from the core to the user in data bus RXCNTRLMSG[19:0]. The high byte (RXCNTRLMSG[15:8]) contains the first byte received by the core on the line side interface and the low byte (RXCNTRLMSG[7:0]) contains the second byte received. RXCNTRLMSG[19:18] contains the control (code violation and k_control) associated with the high byte and RXCNTRLMSG[17:16] contains the control (code violation and k_control) associated with the low byte. The 2-bit control output RXCMMSGVLD is used to indicate the validity and starting byte of the message.

R3TX Transmit User Message Interface

Data messages are passed from the user to the core in data bus TXDATAMSG[17:0]. The high byte (TXDATAMSG[15:8]) contains the first byte that will eventually be transmitted by the core on the line side interface and the low byte (TXDATAMSG[7:0]) contains the second byte that will eventually be transmitted. TXDATAMSG[17] contains the control (k_control) associated with the high byte and TXDATAMSG[16] contains the control (k_control) associated with the low byte. The two bit control core output TXDMSGRQST is used by the core to request a data message from the user. TXDMSGRSQT[0] lasts for one clock and indicates the request of a data message that begins with the high byte. TXDMSGRSQT[1] lasts for one clock and indicates the request of a data message that begins with the low byte. The 21-bit core output TXDMSGCNT indicates the number of the current data message. This core output is updated when TXDMSGRQST[1:0] goes active. The start of the data message must be provided by the user on the second clock after the request from the core. The user asserts the core input TXVALID to indicate that a valid message is being provided. If no message is available this input is kept low.

Figure 8 shows the first data message in a frame. TXFRMSYNC[0] indicates a new frame beginning with on the high byte. TXDMSGRQST[0] requests a message starting with a high byte. The user logic responds two clock cycles later by asserting TXDATA with TXDATA_HI/LO, followed by the remainder of the 19-byte message. The subsequent message begins on the low byte.

Figure 8. R3TX User Data Message Interface (Message Starts in Low Byte)



Synchronization

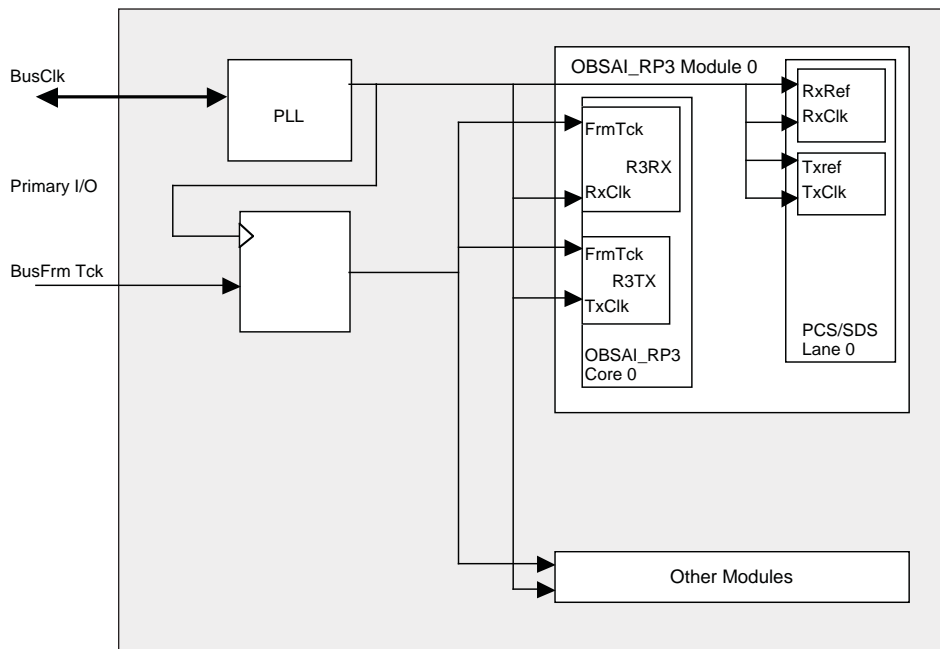
A single common PLL (instantiated by the user) provides the system (38.4 MHz, 76.8 MHz, or 153.6 MHz) clock for all the IP core modules that are implemented in a single LatticeSC/M or LatticeECP2M FPGA. This system clock is used as the clock for all of the R3TX transmitters, all of the R3RX receivers, the transmit clock for each PCS lane, the receive clock for each PCS lane, the reference clock for each SERDES transmit PLL, the reference clock for each SERDES receive PLL, and any user logic that interfaces to the IP cores. A reference clock is distributed to this device from the centralized BTS system clock. This reference clock is used as a reference for the common PLL. The possible frequencies for the OBSAI RP3 IP system clock are shown in Table 3. This clocking arrangement is shown in Figure 9.

Each lane of the PCS block provides a FIFO at the interface to the FPGA logic for each direction. These FIFOs are used to transfer data from the external FPGA system clock to the PCS internal transmit clock in the transmit direction and from the PCS internal receive clock to the external FPGA system clock in the receive direction.

Table 3. OBSAI RP3 IP System Clock

Line Rate Index (i)	Line Rate	System Clock Frequency
1	768 Mbps	38.4
2	1.536 Gbps	76.8
4	3.072 Gbps	153.6

Figure 9. OBSAI RP3 Clocking Scheme



Core Generation

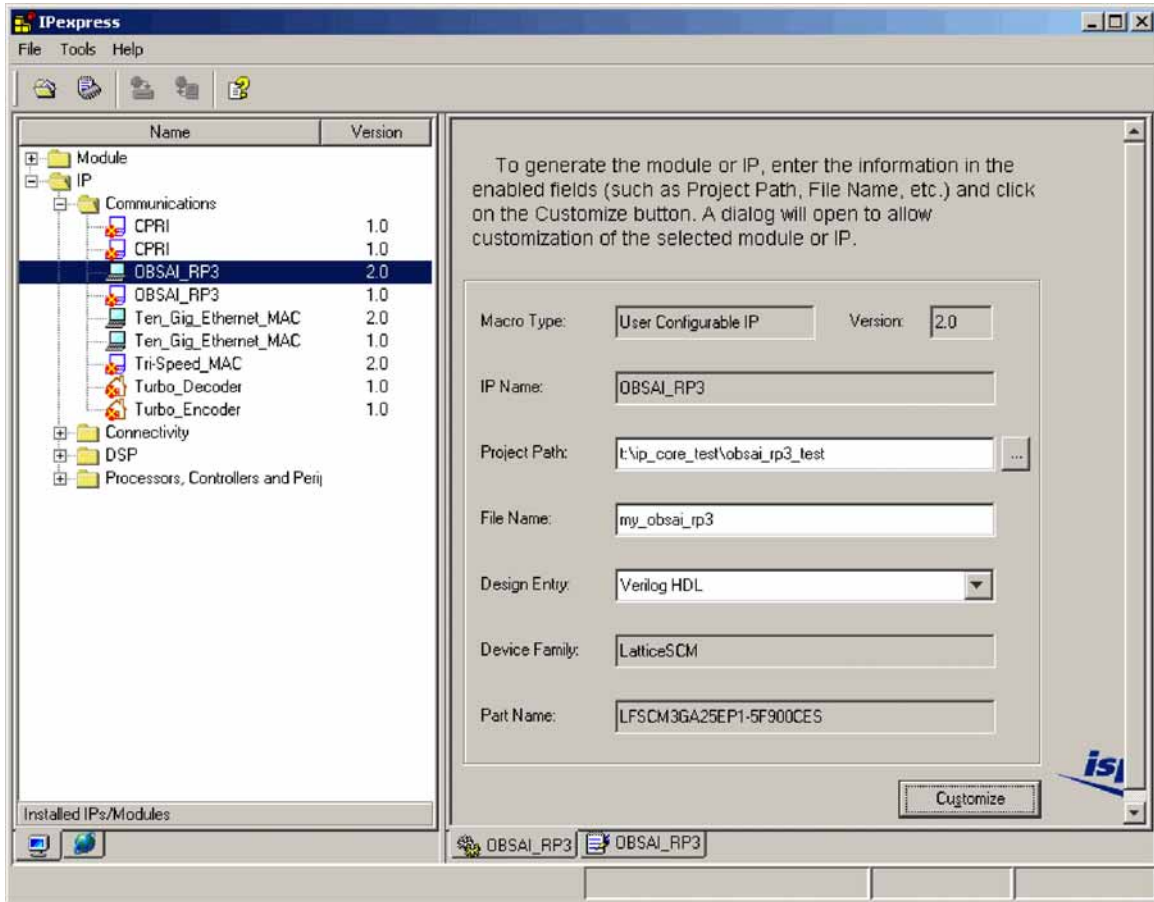
The OBSAI RP3 IP core is available for download from the Lattice website (www.latticesemi.com). The IP files are automatically installed using ispUPDATE technology in any user-specified directory.

The ispLEVER® IPexpress™ GUI window for the OBSAI RP3 core is shown in Figure 10. To generate a specific IP core configuration, the user must specify:

- **Project Path** – A path to the directory into which the generated IP files will be loaded.
- **File Name** – “username” designation given to the generated IP core and corresponding folders and files.
- **Design Entry Type** – Verilog HDL.
- **Device Family** – The device family to which the IP is to be targeted. Only families that support the particular core are listed.
- **Part Name** – Specific targeted part within the selected device family.

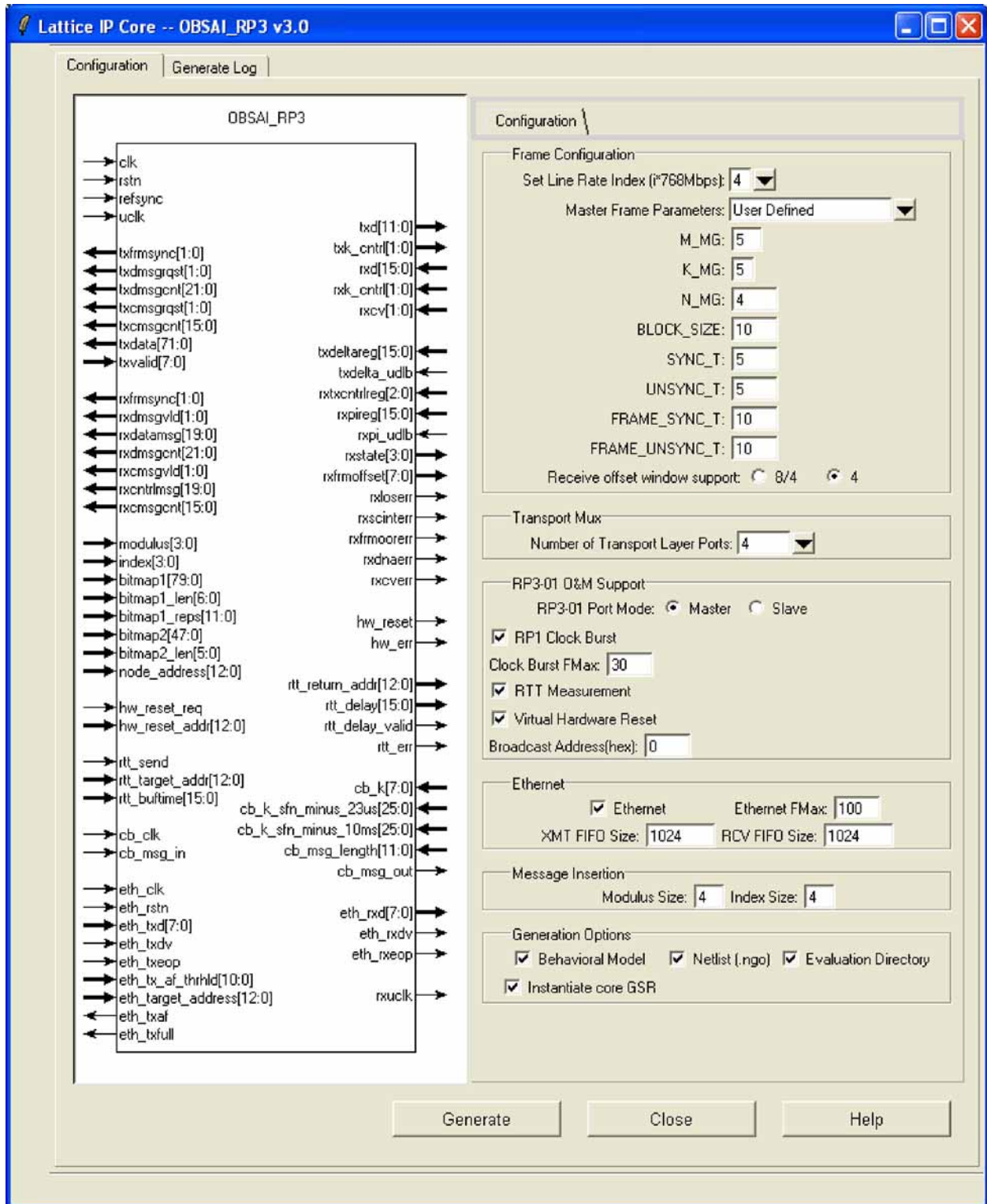
Note: If IPexpress is called from within an existing project, Project Path, Design Entry, Device Family and Part Name default to the specified project parameters. Please refer to the IPexpress software help for further information.

Figure 10. OBSAI RP3 IPexpress GUI Window



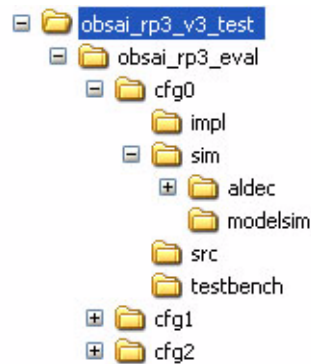
To create a custom configuration, click on the **Customize** button to display the OBSAI RP3 IP core Configuration GUI, shown in Figure 11. From this window, the user may select the desired OBSAI RP3 configuration parameters.

Figure 11. OBSAI RP3 IPexpress GUI Window



When the user clicks the **Generate** button, the IP core and parameter-configured supporting files are generated in the user's project directory. The directory structure of the generated files is shown in Figure 12. Note that the OBSAI RP3_eval directory and subtending directories are only generated if the "Evaluation Directory" generation option is selected.

Figure 12. OBSAI RP3 IP Core Generated Directory Structure



The following files are generated in the user's project directory (\obsai_rp3_v3_test in Figure 12):

- <username>.lpc – IP parameter file (may be directly modified by user).
- <username>.ngo – Synthesized IP core. Depending on the configuration of the core, additional supporting .ngo's may also be generated.
- <username>_bb.v – Black box module wrapper for synthesis.
- <username>_inst.v – Example of instantiation template to be included in a user's design.
- <username>_beh.v – Behavioral simulation model for IP core configuration username.

The \<obsai_rp3_eval> directory and subtending directories provide files supporting OBSAI RP3 core evaluation. The \<username> subfolder (\cfg0 in Figure 12) contains files/folders with content specific to the username configuration.

Implementation Evaluation

The generated OBSAI RP3 IP core package includes black-box (<username>_bb.v) and instance (<username>_inst.v) templates that can be used to instantiate the core in a top-level design.

The top-level file obsai_rp3_top.v allows the user to map, place and route a standalone core. The configuration-specific core, as specified by the user, is instantiated inside a ring of flip-flops to isolate I/O timing. This design is intended only to provide an accurate indication of the device utilization associated with the OBSAI RP3 core. Implementation of this top level is supported via the project file <username>_eval.syn located in <project_dir>\obsai_rp3_eval\<username>\impl.

To use this project file:

1. Open either Synplify® or Precision® RTL Synthesis
2. Execute the **obsai_rp3_top.tcl** script in the appropriate subdirectory under \<project_dir>\obsai_rp3_eval\<username>\impl. This will create a obsai_rp3_top.edf in the impl directory.
3. Select **Open Project** under the **File** tab in ispLEVER.
4. Browse to \<project_dir>\obsai_rp3_eval\<username>\impl in the **Open Project** dialog box.
5. Select and open <username>_eval.syn.

At this point, all of the files needed to support top-level synthesis and implementation will be imported to the project.

6. Set up the place and route options by right-clicking on **Place & Route Design** and select **Properties**.
7. Implement the complete design via the standard ispLEVER GUI flow.

Functional Simulation Evaluation

The functional simulation includes two behavioral models of the OBSAI RP3 IP core instantiated along with user-side driver/monitor modules. The user-specified core parameters are automatically set in the testbench. The top-level testbench supporting both ModelSim® and Aldec® Active-HDL® evaluation simulations is provided in `\<project_dir>\obsai_rp3_eval\<username>\testbench`. Users may run the evaluation simulation by doing the following:

1. Open ModelSim (or Active-HDL).
2. Change Directory to `\<project_dir>\obsai_rp3_eval\<username>\sim\modelsim`.
3. Execute the **obsai_rp3_eval.do script**. The simulation waveform results will be displayed in the Wave window. (For Active-HDL, the script is named **obsai_rp3_eval.tcl**)

The test sequence resets the core, waits for both master and slave receivers to achieve frame synchronization, then sends data messages, Ethernet messages, one clock burst message, one virtual hardware reset message, and one RTT measurement message.

The Lattice default parameters support significantly reduced simulation times as compared to parameter settings conforming to the OBSAI standard recommendations. The Lattice default parameters and typical parameters a user would likely specify (e.g. conforming to WCDMA recommendations) are shown in Table 4.

Table 4. OBSAI RP3 Parameters for Simulation

OBSAI Data Link Parameters	Lattice Default Values	WCDMA Recommended Values
M_MG	5	21
N_MG	4	1920
K_MG	5	1
RATE_INDEX	1	1,2,4
BLOCK_SIZE	40	400
SYNC_T	25	255
UNSYNC_T	25	255
FRAME_SYNC_T	20	1920
FRAME_UNSYNC_T	12	128

The Lattice default parameter values result in a master frame length of 400 bytes, and the evaluation simulation takes a few minutes. A typical OBSAI master frame is 768,000 bytes long; the evaluation simulation runs for several hours. Running reduced master frame lengths result in much shorter simulation duration, which may be desirable in evaluation mode.

Including the Core in a Top-Level Design

Verilog

The `obsai_rp3_top.v` file located in `\<project_dir>\obsai_rp3_eval\<username>\src` provides an example core instantiation (this is the file used for implementation evaluation). The text for the instantiation comes from the `<username>_inst.v` file in the project directory. Note that the core instance is configuration-specific; all the parameters have been resolved. Simply include the instantiation text verbatim in the parent module's description, and edit the connection list as required.

Lattice Semiconductor

For functional simulation, compile the configuration-specific behavioral model <username>_beh.v provided in the project directory.

For implementation, compile the black-box description <username>_bb.v, also provided in the project directory. The <username>.ngo and submodule .ngo's, required for map, place and route, are created in the project directory, as well.

VHDL

The corresponding files for including the core in a VHDL design are:

- <username>_inst.vhd, the instantiation template
- <username>_pkg.vhd, the component specification

The Verilog behavioral model <username>_beh.v may be used in a mixed-language simulation. A VHDL behavioral model is not provided.

Hardware Evaluation

Lattice's IP hardware evaluation capability makes it possible to create versions of IP cores that operate in hardware for a limited period of time (approximately one hour) without requiring the purchase on an IP license. The hardware evaluation capability is turned on by enabling the Hardware Evaluation option in the properties of the Build Database process in ispLEVER. When the Hardware Evaluation option is enabled, it is possible to generate a programming file that may be downloaded into the device. After initialization, the IP core will be operational for approximately one hour. After one hour, the IP core will stop working and it will be necessary to reprogram the device to re-enable operation. This hardware evaluation capability is only enabled if the core has not been licensed. During implementation, a license check is performed. If a license is not detected, a pop-up window will be displayed indicating a license failure. Click **OK** in the window and generation will proceed to completion with hardware evaluation enabled. If a license is detected, no pop-up window is displayed and core generation is completed with no restrictions.

References

The following documents provide more information on implementing this core:

- *ispLEVER Software User Manual*
- *ispLeverCORE™ IP Module Evaluation Tutorial* available on the Lattice website at www.latticesemi.com

Technical Support Assistance

Hotline: 1-800-LATTICE (North America)
 +1-503-268-8001 (Outside North America)
 e-mail: techsupport@latticesemi.com
 Internet:www.latticesemi.com

Revision History

Date	Version	Change Summary
April 2006	01.0	Initial release.
October 2006	01.1	Added appendix for LatticeECP2M device family.
June 2007	01.2	Enhancements to Synthesizing and Implementing the Core and Hardware Evaluation sections.
		Updated appendices.
June 2008	01.3	Included addendum describing transport layer mux and RP3-01 support.

Appendix for LatticeSC FPGAs

Table 5. Performance and Resource Utilization¹

Configuration				Utilization				Frequency (MHz)	
Master Frame Parameters	Line Rate Index	Transport Layer Ports	RP3-01 Support	Slices	LUTs	REGs	EBRs	Required	Achieves
WCDMA / GSM Edge	2 (1.5G)	1	No options selected	1047	1499	1162	0	76.8	191
WCDMA / GSM Edge	2 (1.5G)	1	Master with all options ²	2630	4174	2310	3	76.8	160
CDMA	4 (3G)	4	Slave with all options ²	4558	7516	3200	3	153.6	160

1. Performance and utilization characteristics using ispLEVER 7.1 software. When a different density, speed, or grade or a different software version, performance may vary.
2. RP3-01 options include: RP1 Clock Burst, RTT Measurement, Virtual Hardware Reset, Ethernet Message support capabilities with default parameter settings. Master and slave modes are Don't Cares when no RP3-01 options are selected.

Ordering Part Number

The Ordering Part Number (OPN) for the OBSAI_RP3 IP core targeting LatticeSC devices is OBSAI-RP3-SC-U3.

You can use the IPexpress software tool to help generate new configurations of this IP core. IPexpress is the Lattice IP configuration utility, and is included as a standard feature of the ispLEVER design tools. Details regarding the usage of IPexpress can be found in the IPexpress and ispLEVER help system. For more information on the ispLEVER design tools, visit the Lattice web site at: www.latticesemi.com/software.

Appendix for LatticeECP2M FPGAs

Table 6. Performance and Resource Utilization¹

Configuration				Utilization				Frequency (MHz)	
Master Frame Parameters	Line Rate Index	Transport Layer Ports	RP3-01 Support	Slices	LUTs	REGs	EBRs	Required	Achieves
WCDMA / GSM Edge	2 (1.5G)	1	No options selected	999	1364	1152	0	76.8	167
WCDMA / GSM Edge	2 (1.5G)	1	Master with all options ²	2543	3907	2442	3	76.8	128
CDMA	2 (3G)	2	Slave with all options ²	3523	5655	2580	3	76.8	106

1. Performance and utilization characteristics using ispLEVER 7.1 software. When a different density, speed, or grade or a different software version, performance may vary..
2. RP3-01 options include: RP1 Clock Burst, RTT Measurement, Virtual Hardware Reset, Ethernet Message support capabilities with default parameter settings. Master and slave modes are Don't Cares when no RP3-01 options are selected.

Ordering Part Number

The Ordering Part Number (OPN) for the OBSAI_RP3 IP core targeting LatticeECP2M devices is OBSAI-RP3-PM-U3.

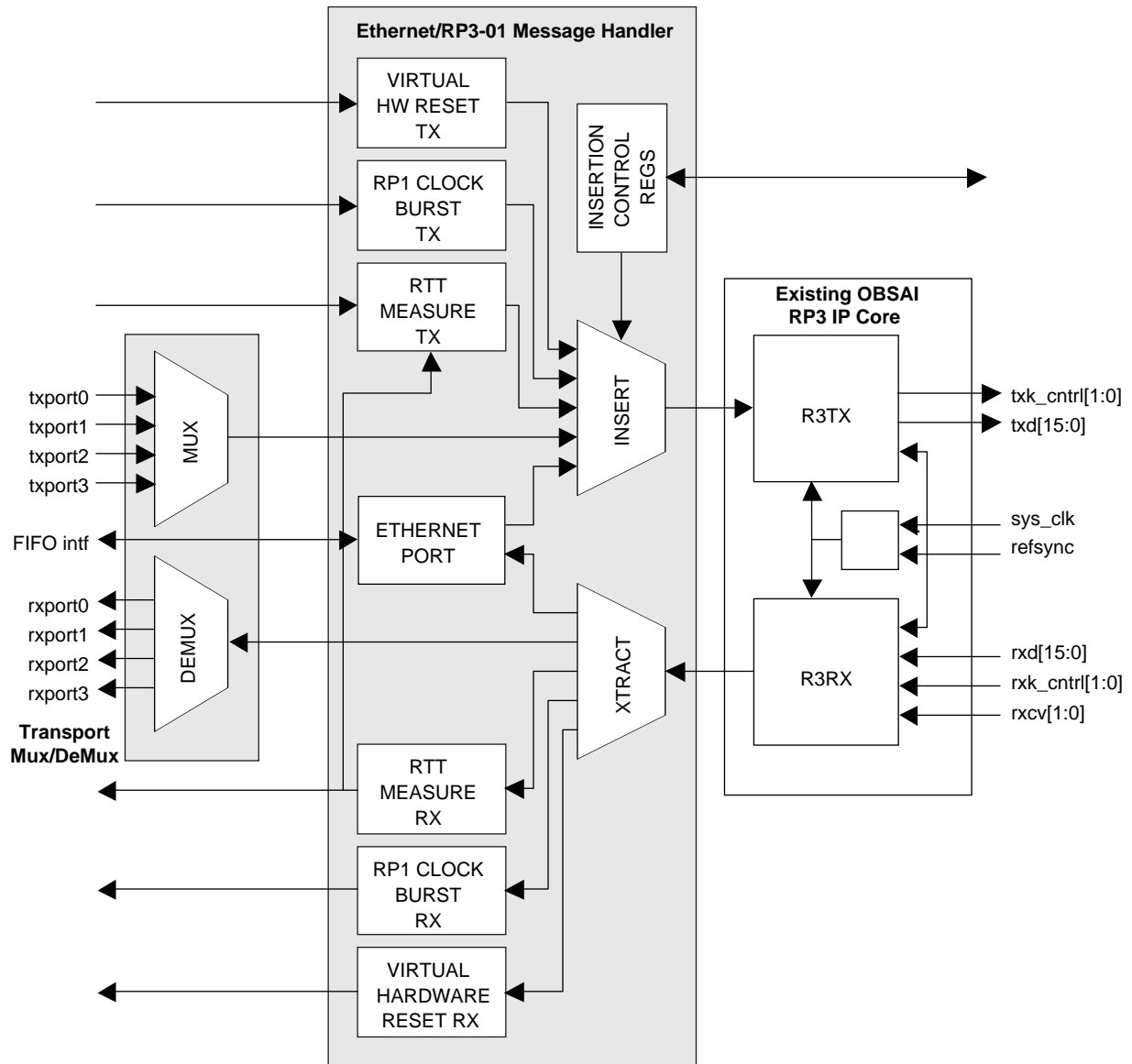
You can use the IPexpress software tool to help generate new configurations of this IP core. IPexpress is the Lattice IP configuration utility, and is included as a standard feature of the ispLEVER design tools. Details regarding the usage of IPexpress can be found in the IPexpress and ispLEVER help system. For more information on the ispLEVER design tools, visit the Lattice web site at: www.latticesemi.com/software.

Addendum - Transport Layer/RP3-01 Support in Version 3.0+

Functional Description

Beginning with version 3.0, the OBSAI RP3 core includes optional support for transport layer multiplexing/demultiplexing and RP3/RP3-01 Operation and Maintenance (O&M) messaging. The following block diagram shows the new logic in context:

Figure 13. OBSAI RP3 Core Additions for Mux/Demux and RP3-01



Transport Mux/DeMux

The Transport Mux module interleaves messages from two or four ports per section 4.3.4 of the OBSAI RP3 specification. The synthesis parameter RP3_PORTS determines the number of ports equipped (1, 2, or 4). The combination of RP3_PORTS and the RATE_INDEX input (1, 2, or 4, where the output data rate is RATE_INDEX* 768Mbps) determines the ports' input data rate (768 or 1536 Mbps). The Transport Demux module performs message de-interleaving.

Each RP3 port presents the same R3RX and R3TX interfaces as the base OBSAI RP3 core. In the transmit direction, unoccupied message slots (logic low on TXD/CMSGVLD) are replaced by empty messages (all ones).

Message Insertion/Extraction

ETHERNET and RP3-01 O&M messages are inserted into the transmit message stream following the message transmission rules described in section 4.4.3 of the OBSAI RP3 specification. Separate synthesis parameters (described below) optionally implement RP1 Frame Clock Burst, RTT measurement, Virtual Hardware Reset, and Ethernet message handling. The RP301_MASTER parameter determines whether the core is compiled as master or slave.

There are three types of ETHERNET and RP3-01 message insertion opportunities: normal message group control slots, modulo count slots, and dual-level bit-map specified slots (per OBSAI RP3 specification, section 4.4.3). For modulo count slots, the index and modulo are set via the INDEX and MODULUS inputs to the core. *Note: As of version 3.0 of the core, only control message and modulo count insertion have been implemented.*

Each of the implemented TX units sends a ready signal to the core's insertion unit, which looks at the ready signals in a fixed priority order, and selects the next message to insert into the next available time slot in the transmit stream. The priority order, from high to low, is as follows: Virtual Hardware Reset, Clock Burst, RTT Measurement, and Ethernet messaging.

Virtual Hardware Reset

Virtual Hardware Reset messages, defined in section 6.2.7 of the OBSAI RP3 specification, provide a way to request a reset of a remote unit. For cores configured as masters, asserting the HW_RESET_REQ input accompanied by a valid HW_RESET_ADDRESS value triggers the request message. In slave mode, a hardware reset message with the slave's address results in a single-clock-cycle active-high HW_RESET output.

RTT Measurement

RTT measurement messages are exchanged by adjacent nodes, either LC<->RU1 or RU_n<->RU_{n+1}. The master RTT Measure TX module is triggered by asserting the core's RTT_REQ input accompanied by a valid RTT_TARGET_ADDR value. The addressed slave node returns the message using the return address from the message, after setting the delta (1, 2) field (as specified in 6.2.6 of the OBSAI RP3 specification).

On receiving the returned RTT message, the master RTT Measure RX module asserts RTT_DELAY_VALID accompanied by RTT_RETURN_ADDR and RTT_DELAY. RTT_DELAY is computed by the master node by subtracting the buffering time field in the return message from the master's total round trip delay counter (which begins counting when the message is sent). *Note: the master node counter counts system clock cycles, so the slave nodes' buffering times should be in system clock cycle units, as well. The OBSAI spec calls for delays to be reported in increments of 614.4 MHz clock cycles, so a left-shift operation (by the user logic) is required to properly interpret the round trip delay value (shift by 4 for RATE_INDEX equals 4, by 8 for RATE_INDEX equals 2, and by 16 for RATE_INDEX equals 1).*

RP1 Clock Burst

The RP1 Clock Burst TX module accepts RP1 clock burst messages as defined in section 8.4 of the OBSAI RP1 specification, and creates RP3-01 clock burst messages per 6.2.3 of the RP3 specification.

The RP1 Clock Burst RX module receives the message and generates a RP1 clock burst message with a new system frame number at a time determined according to the specification. CB_MSG_IN is the input at the master, CB_MSG_OUT the output at the slave.

Section 8.4 of the OBSAI RP1 specification calls for clock burst messages to be transferred using a 30.72 MHz system clock, with each message bit being eight clock cycles in duration. The OBSAI RP3 core provides additional flexibility by using a separate clock signal CB_CLK for the message transfer. Message bits are one clock in duration, and the transfer is synchronous. There is no requirement for synchrony between CB_CLK and the primary core clock CLK.

Three input values are required for the slave's clock burst receiver: CB_K, CB_K_SFN_MINUS_23US, and CB_K_SFN_MINUS_10MS. They are calculated as follows:

- $CB_K = MASTER_FRAME_LENGTH / SYSTEM_FRAME_LENGTH$
- $CB_K_SFN_MINUS_23US = CB_K * SYSTEM_FRAME_LENGTH - CB_MESSAGE_LENGTH$
- $CB_K_SFN_MINUS_10MS = CB_K * SYSTEM_FRAME_LENGTH - MASTER_FRAME_LENGTH$

where:

- MASTER_FRAME_LENGTH is the number of SYS_CLK periods in a master frame (which is 10 milliseconds for standards-compliant configurations),
- SYSTEM_FRAME_LENGTH is the number of SYS_CLK periods in a system frame, and
- CB_MESSAGE_LENGTH = $90 * CB_CLK_PERIOD / SYS_CLK_PERIOD$.

Ethernet Messages

The Ethernet Port module sends/receives messages via a 16-bit FIFO interface. In the transmit direction, the FIFO_FULL output flag indicates that the transmit FIFO is unable to accept another message. Input ETH_TX_EOP is asserted by user logic to indicate end-of-packet in the transmit direction. Output ETH_RX_EOP identifies the final byte of a packet in the receive direction. In both directions, complete messages are assembled before being passed on. Ethernet data is transferred synchronously on the rising edge of the Ethernet interface clock ETH_CLK.

Additional Parameters

Table 7 details the new synthesis parameters required to support transport mux/demux and RP3-01 messaging.

Table 7. Additional Parameters

Parameter Name	Range	Description
RP3_PORTS	1,2 or 4	Number of ports equipped for transport mux/demux
MASTER	0 or 1	1 implements master behavior. otherwise slave (default is 0)
MODULUS_SIZE	1 and up	width of RP301 message insertion modulus
INDEX_SIZE	1 to MODULUS_SIZE	width of RP301 message insertion index value
VIRTUAL_HW_RESET	0 or 1	1 implements virtual hardware reset module (default is 0)
RTT_MEASUREMENT	0 or 1	1 implements RTT measurement module (default is 0)
CLOCK_BURST	0 or 1	1 implements RP3-01 clock burst module (default is 0)
ETHERNET_PORT	0 or 1	1 implements Ethernet port module (default is 0)
ETH_XFIFO_SIZE	0 and up	Must be at least as large as maximum packet size
ETH_RFIFO_SIZE	0 and up	Must be at least as large as maximum packet size

Additional I/Os

Table 8 details the new I/Os required to support transport mux/demux and RP3-01 messaging.

Table 8. Additional I/Os

Signal Name	I/O	Size	Description
Demultiplexed R3RX Signals (all other R3RX signals remain the same)			
RXDATAMSG	Out	RP3_PORTS*20	Receive data (concatenated sublinks)
RXCNTLMSG	Out	RP3_PORTS*20	Receive control (concatenated sublinks)
RXDMSGVLD	Out	RP3_PORTS*2	Receive data valid (concatenated)
RXCMSGVLD	Out	RP3_PORTS*2	Receive control valid (concatenated)
Pre-multiplexed R3TX Signals (all other R3TX signals remain the same)			
TXDATAMSG	In	RP3_PORTS*18	Transmit data (concatenated sublinks)
TXCNTLMSG	In	RP3_PORTS*18	Transmit control (concatenated)
TXDMSGVLD	In	RP3_PORTS	Transmit data message valids
TXCMSGVLD	In	RP3_PORTS	Transmit control message valids
RP3 Message Insertion Bitmap Access			
MODULUS	In	MODULUS_SIZE	RP3 modulus value
INDEX	In	INDEX_SIZE	RP3 bitmap register read address
RP3-01 Control Interfaces			
HW_RESET_REQ	In	1	Initiates hardware reset message (master only)
HW_RESET_ADDR	In	13	Address of slave node to be reset (master)
HW_RESET	Out	1	Hardware reset output (slave)
VHW_ERR	Out	1	Virtual hardware reset message error (slave)
RTT_SEND	In	1	Initiates RTT measurement sequence (master)
RTT_TARGET_ADDR	In	13	Address of target node (master)
RTT_BUFTIME	In	16	Buffering time for RTT measurement (slave)
RTT_DELAY	Out	16	Round trip delay value (master)
RTT_DELAY_VALID	Out	1	RTT measurement acknowledge (master)
RTT_RETURN_ADDR	Out	13	RTT measurement return address from slave (master)
RTT_ERR	Out	16	RTT message error flag (slave)
CB_CLK	In	1	Clock burst interface clock
CB_MSG_IN	In	1	Clock burst message input (master)
CB_MSG_OUT	Out	1	Clock burst message out (slave)
CB_K	In	8	Clock burst k-value (slave)
CB_K_SFN_MINUS_23US	In	26	Clock burst RRU buffering time (long)
CB_K_SFN_MINUS_10MS	In	26	Clock burst RRU buffering time (short)
CB_MSG_LENGTH	In	12	Clock burst message length
RP3-01 Ethernet Interface (MII)			
ETH_CLK	In	1	Ethernet interface clock
ETH_RSTN	In	1	Ethernet interface reset (active low)
ETH_TXD	In	8	Ethernet transmit data
ETH_TXDV	In	1	Ethernet transmit data valid
ETH_TXEOP	In	1	Ethernet transmit end-of-packet
ETH_TARGET_ADDRESS	In	13	Ethernet transmit target address
ETH_TXAF	Out	1	Ethernet transmit FIFO almost full
ETH_TXFULL	Out	1	Ethernet transmit FIFO full

Table 8. Additional I/Os (Continued)

Signal Name	I/O	Size	Description
ETH_RXD	Out	8	Ethernet receive data
ETH_RXDV	Out	1	Ethernet receive data valid
ETH_RXEOP	Out	1	Ethernet receive end-of-packet

Configuring RP3/RP3-01 Support

The configuration GUI now supports the transport mux and RP3/RP3-01 features of the core (Figure 11).

Number of Transport Layer Ports determines whether the mux/demux function is required, and, if so, how many ports are equipped.

RP3-01 Port Mode selects between Master and Slave configurations.

Checking the **RP1 Clock Burst** box enables Frame Clock Burst messaging. Clock Burst f_{MAX} sets the maximum frequency (in MHz) for the Clock burst interface.

Checking the **RTT Measurement** box adds RTT Measurement support.

Checking the **Virtual Hardware Reset** box enables RP3-01 virtual hardware reset handling.

Broadcast Address sets the address used for broadcast messages (clock burst transmit messages, address matching in the receive direction).

The **Ethernet checkbox** adds the Ethernet interface. Ethernet f_{MAX} sets the maximum frequency (in MHz) for the Ethernet interface. RCV and XMT FIFO sizes are in bytes.

The **Message Insertion** section provides an entry point for setting the sizes of the MODULUS and INDEX inputs.

Mouser Electronics

Authorized Distributor

Click to View Pricing, Inventory, Delivery & Lifecycle Information:

Lattice:

[OBSAI-RP3-PM-UT3](#) [OBSAI-RP3-SC-UT3](#)