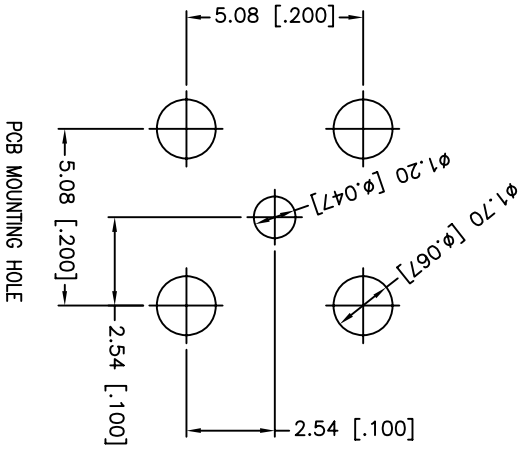
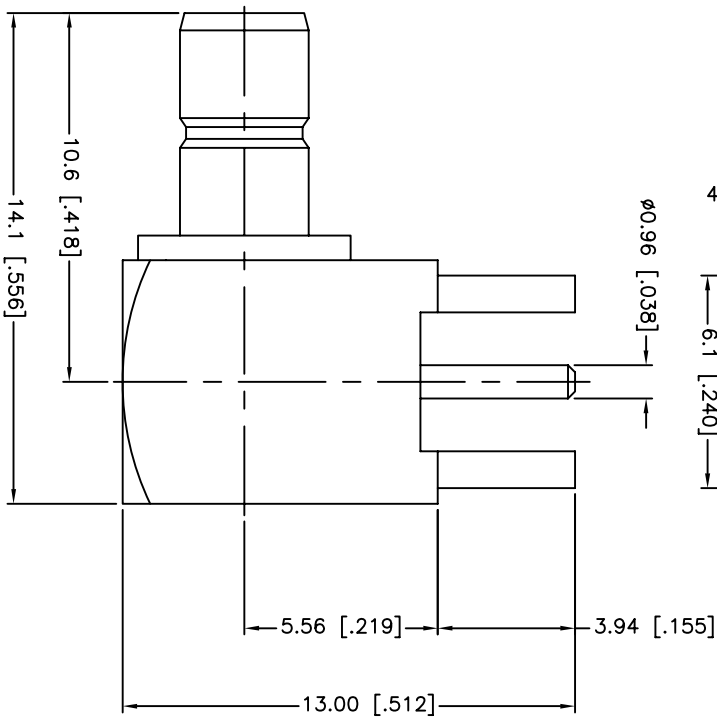
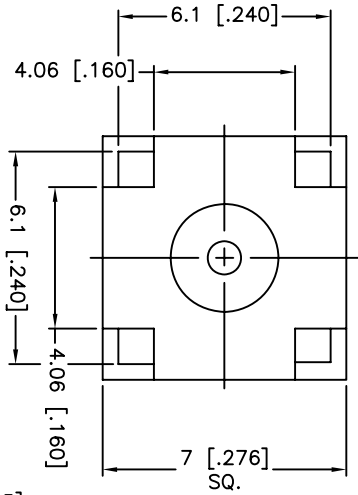


REV.	DATE	ECR NO.	DESCRIPTION
NC	04/15/10	XXXXXX	INITIAL RELEASE



QTY	FINISH	MATERIAL	DESCRIPTION
1	NICKEL	BRASS	HOUSING
1	NICKEL	BRASS	BODY
1	NATURAL	PTFE	INSULATOR
1	GOLD	BRASS	CONTACT PIN
1	NATURAL	PTFE	INSULATOR

APPROVALS	DATE
DRAWN C. WANG	04/15/10
CHECKED	
ISSUED	
SHEET 1 OF 1	

UNLESS OTHERWISE SPECIFIED DIMENSIONS ARE INCHES AND FOR CUSTOMER REFERENCE ONLY.
UNLESS OTHERWISE SPECIFIED DIMENSIONS ARE IN MILLIMETERS ARE:
0.5 - 8mm ± 0.20mm
8 - 30mm ± 0.40mm
30 - 120mm ± 0.50mm
UNLESS OTHERWISE SPECIFIED TOLERANCES FOR INCHES ARE:
.020 - .315 = ± 0.007"
.315 - 1.180 = ± 0.015"
1.180 - 4.724 = ± 0.020"
DO NOT SCALE DRAWING
CAD FILE C:/CONNEX/142144.DWG
DWG. NO. 142144.DWG
REV. NC
SIZE A
SCALE NA

Amphenol Connex

SMB R/A P.C. MOUNT JACK

142144

Mouser Electronics

Authorized Distributor

Click to View Pricing, Inventory, Delivery & Lifecycle Information:

[Amphenol:](#)

[142144](#)