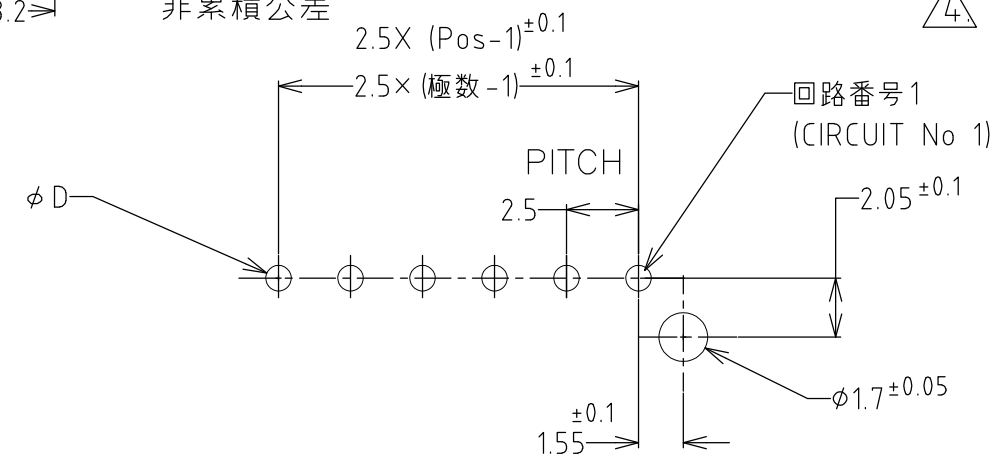
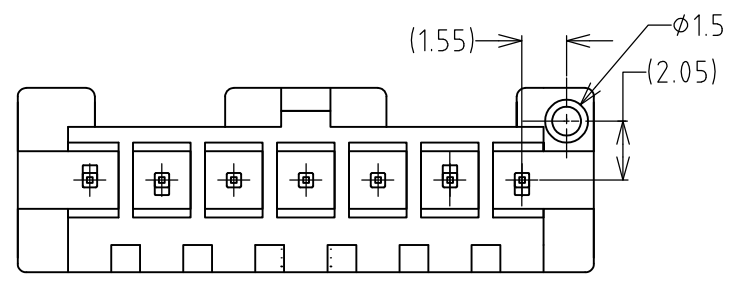
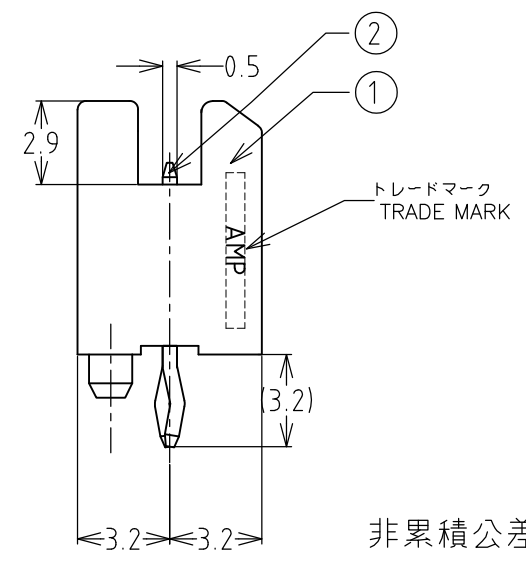
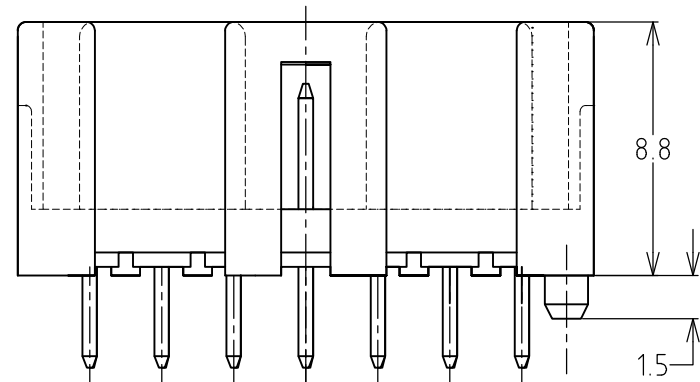
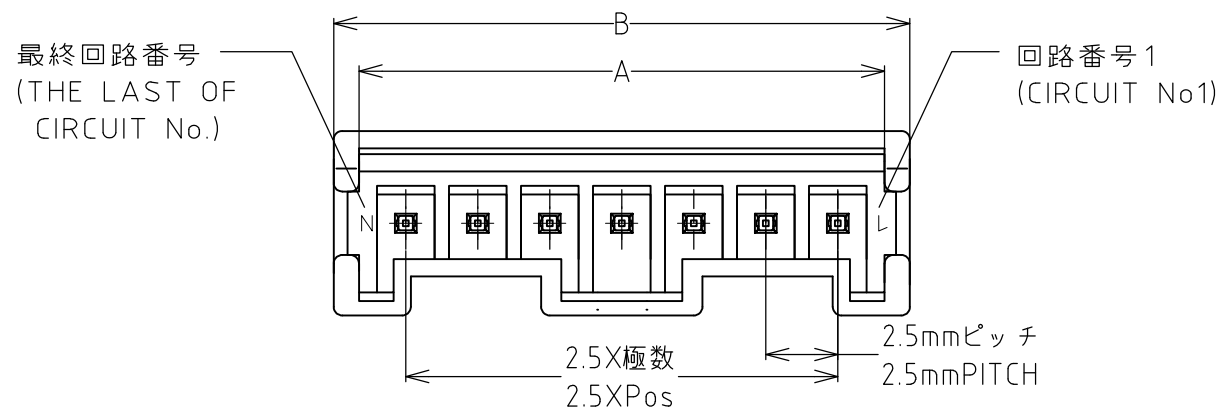


THIS DRAWING IS UNPUBLISHED. RELEASED FOR PUBLICATION
 © COPYRIGHT BY TYCO ELECTRONICS CORPORATION. ALL RIGHTS RESERVED.

| LOC | DIST | REVISIONS | | | | | |
|-----|------|-----------|-----|----------------------------|---------|-----|------|
| J | — | P | LTR | DESCRIPTION | DATE | DWN | APVD |
| | | | E | RELEASED FJ00-1013-00 | 20SEP01 | N.Y | M.S |
| | | | A | 変更 (REVISED) FJ00-1347-01 | 03SEP01 | N.Y | M.S |
| | | | B | 変更 (REVISED) FJ00-1394-02 | 08JUL02 | N.Y | M.S |
| | | | C | 変更 (REVISED) FJ00-0163-03 | 01MAR03 | N.Y | M.S |
| | | | D | 変更 (REVISED) FJD0-0104-03 | 16APR03 | N.Y | M.S |
| | | | E | 変更 (REVISED) FJD0-0292-04 | 16AUG04 | A.H | N.Y |
| | | | E1 | 変更 (REVISED) ECR-14-012507 | 01DEC14 | W.W | D.Z |



- 注記；
- 適用基板厚；1.6t
 - 嵌合相手製品型番
プラグハウジング；1376477
 - 適用基板穴寸法；FIG.1参照
 - 適用基板穴径；
パンチ加工穴；0.7
ドリル加工穴；0.9±0.05

- NOTES;
- APPLICABLE P.C.B THK.;1.6t
 - MATING CONN. P/N
PLUG HOUSING:1376477
 - APPLICABLE P.C.B LAYOUT SEE FIG.1
 - APPLICABLE P.C.B HOLE DIA.
PUNCHED HOLE;0.7^{+0.1}₋₀
DRILLED HOLE;0.9±0.05

型番は、SHEET 2 OF 2 を参照
(P/N SEE SHEET 2 OF 2)

表1
TABLE 1

| 部品番号 PARTS NO | 名称 PARTS NAME | 材質、表面処理 MATERIAL & FINISH |
|------------------|-----------------------------|--|
| ① | ヘッダーハウジング HEADER HOUSING | 66ナイロンガラス強化 (UL94V-0) 66 NYLON GLASS FILLED |
| ② | ポストコンタクト POST CONTACT | 錫めっき済黄銅 PRE TIN BRASS |

| | | | | |
|--|--|--|--|--------------------|
| THIS DRAWING IS A CONTROLLED DOCUMENT. | | DWN N.YAMASAKI 3 SEP '01 | TE Connectivity | |
| DIMENSIONS: 単位：mm INCHES | | CHK M.SHINDO 3 SEP '01 | | |
| TOLERANCES UNLESS OTHERWISE SPECIFIED: 一般公差 | | APVD Y.KASHIWA 3 SEP '01 | NAME 名称 2.5mmPITCH | |
| 10> ±0.2 | | PRODUCT SPEC 製品規格 108-5703 | シグナルメイト コネクタ ヘッダーアッセンブリ (V-TYPE) | |
| 30> ≥10:±0.25 | | APPLICATION SPEC 取付適用規格 114-5286 | 2.5mmPITCH SIGNAL MATE CONN HEADER ASSY (V-TYPE) | |
| 100> ≥30:±0.3 | | WEIGHT | SIZE A3 | CAGE CODE 00779 |
| ANGLE :±3° | | MATERIAL 材料 SEE TABLE 1 | DRAWING NO 番号 C-1376478 | |
| FINISH 仕上 SEE TABLE 1 | | RESTRICTED TO | | — |
| CUSTOMER DRAWING | | SCALE 尺度 — | | SHEET 1 OF 2 |
| | | | | REV E1 |

| | | | | | | |
|----------|-----------|-----------------|------|-----|------|--|
| LOC J | DIST — | REVISIONS ?? | | | | |
| P | LTR | DESCRIPTION | DATE | DWN | APVD | |
| | — | SEE SHEET 1 | — | — | — | |

RELEASED FOR PUBLICATION

ALL RIGHTS RESERVED.

BY TYCO ELECTRONICS CORPORATION.

© COPYRIGHT

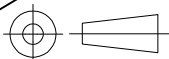
(E1) obsolete
(E1) obsolete

| | | | | | | |
|-------------------------|-------------|------|-------|---------|----|-------------|
| 回路番号6のピン抜き仕様 | 7 | 20.0 | 18.25 | NATURAL | 6 | 1565044-6 |
| | 6 | 17.5 | 15.75 | BLUE | 5 | 2-1565044-5 |
| 回路番号2のピン抜き仕様 | 6 | 17.5 | 15.75 | NATURAL | 5 | 1565044-5 |
| 回路番号2のピン抜き仕様 5mm ピッチ | 3 | 10.0 | 8.25 | NATURAL | 2 | 1376497-2 |
| | 7 | 20.0 | 18.25 | RED | 7 | 1-1376478-7 |
| | 7 | 20.0 | 18.25 | NATURAL | 7 | 1376478-7 |
| | 6 | 17.5 | 15.75 | BLUE | 6 | 2-1376478-6 |
| | 6 | 17.5 | 15.75 | RED | 6 | 1-1376478-6 |
| | 6 | 17.5 | 15.75 | NATURAL | 6 | 1376478-6 |
| | 5 | 15.0 | 13.25 | RED | 5 | 1-1376478-5 |
| | 5 | 15.0 | 13.25 | NATURAL | 5 | 1376478-5 |
| | 4 | 12.5 | 10.75 | BLUE | 4 | 2-1376478-4 |
| | 4 | 12.5 | 10.75 | NATURAL | 4 | 1376478-4 |
| | 3 | 10.0 | 8.25 | RED | 3 | 1-1376478-3 |
| | 3 | 10.0 | 8.25 | NATURAL | 3 | 1376478-3 |
| | 2 | 7.5 | 5.75 | BLUE | 2 | 2-1376478-2 |
| | 2 | 7.5 | 5.75 | RED | 2 | 1-1376478-2 |
| | 2 | 7.5 | 5.75 | NATURAL | 2 | 1376478-2 |
| 備考 | ハウジング 極数 | B | A | 色 | 極数 | 型番 |
| | | 寸法 | | | | |

DIMENSIONS:
??? ?
MM

TOLERANCES UNLESS
OTHERWISE SPECIFIED:
????

- 0 PLC ± -
- 1 PLC ± -
- 2 PLC ± -
- 3 PLC ± -
- 4 PLC ± -
- ANGLES ± -



| | |
|------------------|--------|
| DWN | — |
| CHK | — |
| APVD | — |
| PRODUCT SPEC | ???? |
| APPLICATION SPEC | ?????? |
| WEIGHT | — |

| | | | | | |
|----------|----|---|--------|----|---|
| MATERIAL | ?? | — | FINISH | ?? | — |
|----------|----|---|--------|----|---|



TE Connectivity

NAME
2.5mmPITCH SIGNAL MATE CONN HEADER ASSY (V-TYPE)
2.5mmピッチシグナルメイトコネクタヘッダーアッセンブリ (V-TYPE)

| | | | |
|------|-----------|---------------|---------------|
| SIZE | CAGE CODE | DRAWING NO | RESTRICTED TO |
| A4 | 00779 | ?? 1376478 | — |

CUSTOMER DRAWING

SCALE ?? 1:1 SHEET 2 OF 2 REV E1

Mouser Electronics

Authorized Distributor

Click to View Pricing, Inventory, Delivery & Lifecycle Information:

[TE Connectivity:](#)

[1376478-6](#)