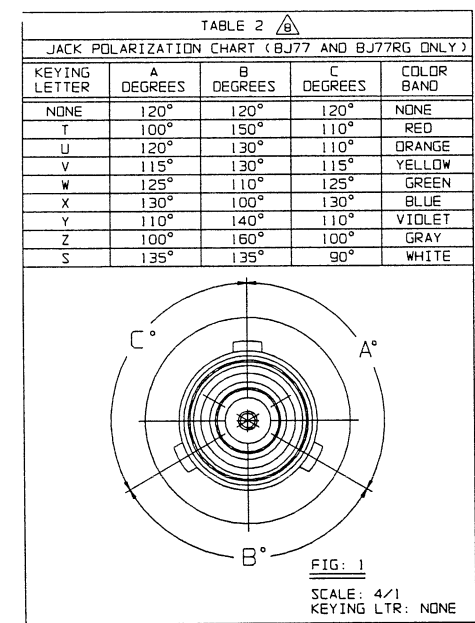
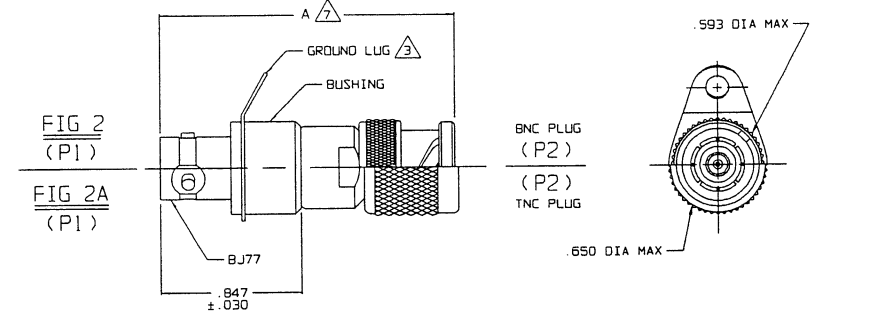
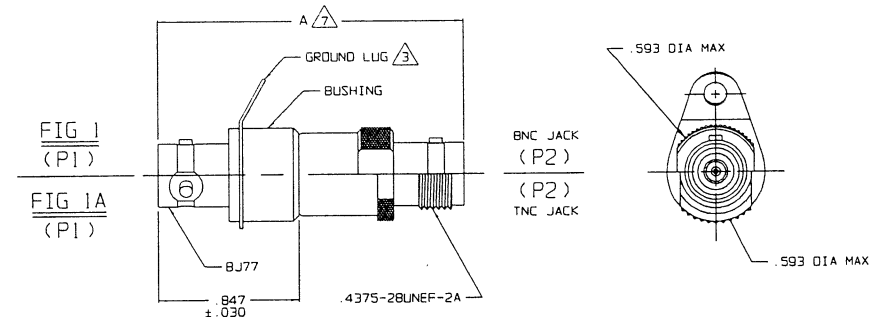


DATA CONTAINED IN THIS DOCUMENT IS PROPRIETARY TO TROMPETER ELECTRONICS INC AND SHALL NOT BE DISCLOSED, COPIED OR USED FOR PROCUREMENT OR MANUFACTURE WITHOUT EXPRESS WRITTEN PERMISSION OF TROMPETER ELECTRONICS INC.

REVISONS		22-01	SH 1
REV	DESCRIPTION	DATE	APPROVED
K	REVISED PER ECO 15124	7/23/03	WJ
L	ECO 55773	7/28/15	CM

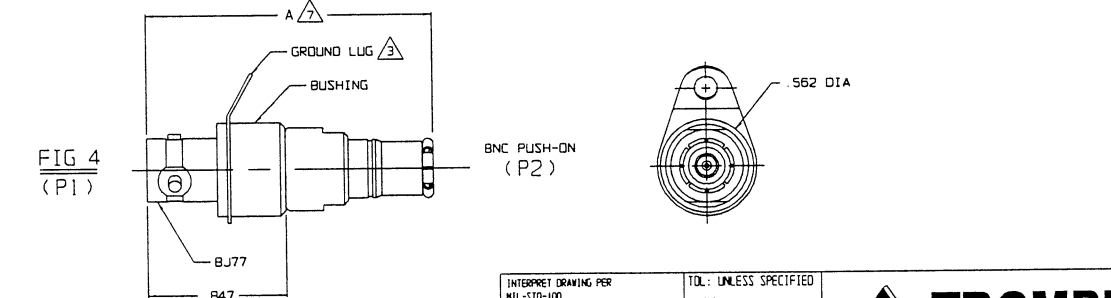
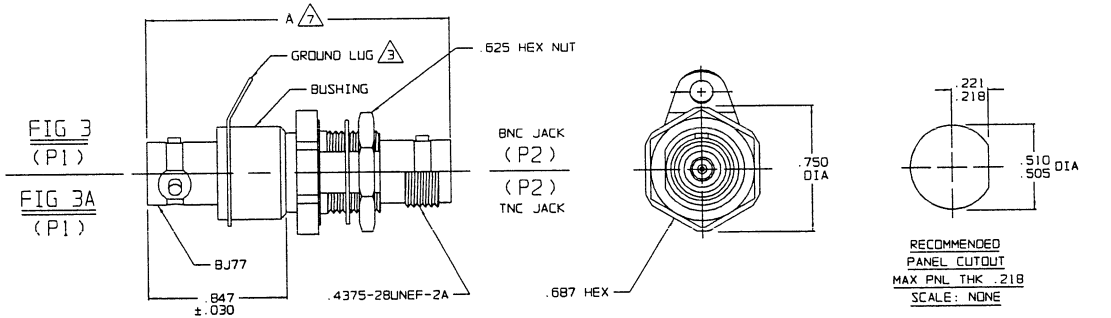
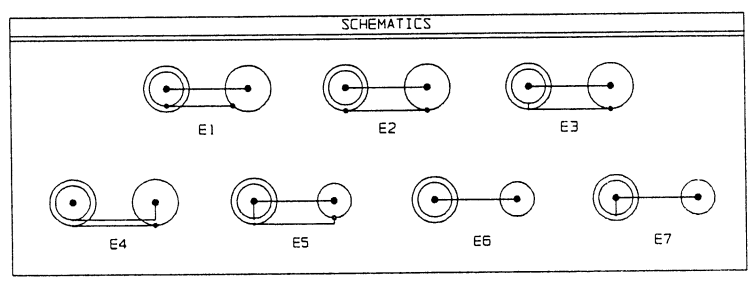
P2 CONN TYPE	AREF DIM	FIG NO	PI CONN TYPE																																				
			BJ77 /A						BJ77TL						BJ77FL						BJ377						BJ77RG (REVERSE GENDER) /B						BJ377RG (REVERSE GENDER) /B						
			SCHEMATICS																																				
			E1	E2	E3	E4	E5	E6	E7	E1	E2	E3	E4	E5	E6	E1	E2	E3	E4	E5	E6	E1	E2	E3	E4	E5	E6	E1	E2	E3	E4	E5	E6						
			DASH NO																																				
CJ20	1.844	1	-1	-4	-7	-19	-25	-181		-41	-49	-57	-65	-73	-196	-81	-89	-97	-105	-113	-211	-121	-129	-137	-145	-153	-226												
UCJ20			-U1	-U4	-U7	-U19	-U25	-182		-U41	-U49	-U57	-U65	-U73	-197	-U81	-U89	-U97	-U105	-U113	-212	-U121	-U129	-U137	-U145	-U153	-227												
PL20			-2	-5	-8	-20	-26	-193	-265	-42	-50	-58	-66	-74	-198	-82	-90	-98	-106	-114	-213	-122	-130	-138	-146	-154	-228	-241	-243	-245	-247	-249	-251	-253	-255	-257	-259	-261	-263
UPL20	1.778	2	-U2	-U5	-U8	-U20	-U26	-194		-U42	-U50	-U58	-U66	-U74	-199	-U82	-U90	-U98	-U106	-U114	-214	-U122	-U130	-U138	-U146	-U154	-229	-242	-244	-246	-248	-250	-252	-254	-256	-258	-260	-262	-264
BJ29	1.847	3	-3	-6	-9	-21	-27	-185		-43	-51	-59	-67	-75	-200	-83	-91	-99	-107	-115	-215	-123	-131	-139	-147	-155	-230												
UBJ29			-U3	-U6	-U9	-U21	-U27	-186		-U43	-U51	-U59	-U67	-U75	-201	-U83	-U91	-U99	-U107	-U115	-216	-U123	-U131	-U139	-U147	-U155	-231												
CJ40	1.844	1A	-10	-13	-16	-22	-28	-187		-44	-52	-60	-68	-76	-202	-84	-92	-100	-108	-116	-217	-124	-132	-140	-148	-156	-232												
UCJ40			-U10	-U13	-U16	-U22	-U28	-188		-U44	-U52	-U60	-U68	-U76	-203	-U84	-U92	-U100	-U108	-U116	-218	-U124	-U132	-U140	-U148	-U156	-233												
PL40	1.778	2A	-11	-14	-17	-23	-29	-189		-45	-53	-61	-69	-77	-204	-85	-93	-101	-109	-117	-219	-125	-133	-141	-149	-157	-234												
UPL40			-U11	-U14	-U17	-U23	-U29	-190		-U45	-U53	-U61	-U69	-U77	-205	-U85	-U93	-U101	-U109	-U117	-220	-U125	-U133	-U141	-U149	-U157	-235												
BJ49	1.847	3A	-12	-15	-18	-24	-30	-191		-46	-54	-62	-70	-78	-206	-86	-94	-102	-110	-118	-221	-126	-134	-142	-150	-158	-236												
UBJ49			-U12	-U15	-U18	-U24	-U30	-192		-U46	-U54	-U62	-U70	-U78	-207	-U86	-U94	-U102	-U110	-U118	-222	-U126	-U134	-U142	-U150	-U158	-237												
PL40P	1.778	2A	-31	-32	-33	-34	-35	-193		-47	-55	-63	-71	-79	-208	-87	-95	-103	-111	-119	-223	-127	-135	-143	-151	-159	-238												
PL123			-36	-37	-38	-39	-40	-194		-48	-56	-64	-72	-80	-209	-88	-96	-104	-112	-120	-224	-128	-136	-144	-152	-160	-239												
UPL123	1.646	4	-161	-162	-163	-164	-165	-195		-166	-167	-168	-169	-170	-210	-171	-172	-173	-174	-175	-225	-176	-177	-178	-179	-180	-240												

SEE 22-09



RED INDICATES ORIGINAL

- (A) POLARIZATION OPTIONAL ONLY ON BJ77 AND BJ77RG. SEE TABLE 2
- (G) ADD .020 TO "A" DIM FOR ADAPTERS WITH "G" PREFIX
- 6. EXAMPLE OF COMPLETE PART NO:
22-01-G 1 - X
PART NO DASH NO POLARIZATION LETTER CODE OMIT FOR NONE (A)
- 5. EXAMPLE OF COMPLETE MODEL NO:
AD - BJ77 RG X - E1 - U CJ20
ADAPTER (P1) CONN TYPE (P2) CONN TYPE,
(U INDICATES 75 OHM)
RG = REVERSE GENDER; OMIT FOR NORMAL GENDER U = 75 OHM; OMIT FOR 50 OHM
SCHEMATIC POLARIZATION LETTER CODE IF REQ'D SEE TABLE 2 (A)
- 4. BETWEEN SERIES ADAPTERS: 2-LUG, 3-LUG, 4-LUG AND THREADED CONCENTRIC TWINAX/TRIAX BNC TYPE TO COAXIAL 50 & 75 OHM BNC/TNC & PUSH-ON PLUG/JACK
- (3) FOR OPTIONAL GROUND LUG ADD PREFIX "G" TO DASH NO
- 2. FINISH TFS-1A (NICKEL)
- 1. ALL DIM ARE IN INCHES



INTERPRET DRAWING PER MIL-STD-100 DIMENSIONS ARE IN INCHES AND INCLUDE FINISH THICKNESS UNLESS OTHERWISE SPECIFIED		TOL: UNLESS SPECIFIED .XX .XXX ±.005 .XXXX ANGLES	
DRAWN AAH	DATE 7-22-03	MATERIAL:	TITLE: ADAPTER: BJ77, BJ77RG/B BJ77TL, BJ77FL, BJ377 TO BNC/TNC SERIES
CHECKED JS	7-22-03	FINISH:	SIZE CAGE CODE DRAWING NO. REV. B 14949 22-01 L
QUANTITY	7/23/03		SCALE NONE DATE: 2-25-85 SHEET 1C
HANDLED	7/23/03		
APPROVED	7/23/03		
CAD FILE NO 22-01K		DO NOT SCALE DWG	

Mouser Electronics

Authorized Distributor

Click to View Pricing, Inventory, Delivery & Lifecycle Information:

[Cinch Connectivity Solutions:](#)

[ADBJ77-E2-PL20](#)