



PART NO:

ARA00499

DRAWING NO:

ARA00499

PAGE:

1 OF 2

SPECIFICATION/SOURCE CONTROL DOCUMENT

DESCRIPTION: **CHOKER EMI**

N SPECIFICATION CONTROL

Y SOURCE CONTROL

CERTIFICATION OF CONFORMANCE REQUIRED: ____

N SAFETY AGENCY CONTROL

UL ____

CSA ____

VDE/TUV ____

RoHS __Y__

MANUFACTURER

MANUFACTURER PART NUMBER

FIRST:

DENSEI-LAMBDA

A21004B

SECOND:

THIRD:

UNIT OF MEASURE: **EACH**

PACKAGING: **TRAY**

REV	DATE	ECO	ENG	ENG	SFTY	Q.A.	DESCRIPTION
P1	10/16/07						NPR 1726

ENGINEERING NOTES:

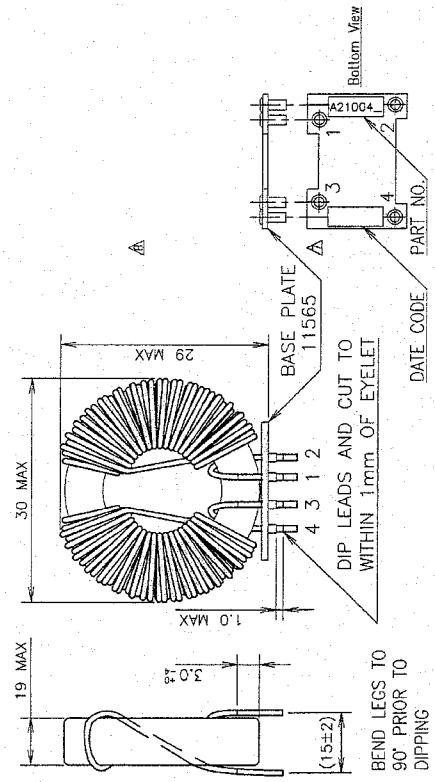
LAMBDA CONFIDENTIAL

RoHS COMPLIANCE

MODEL : MVC650

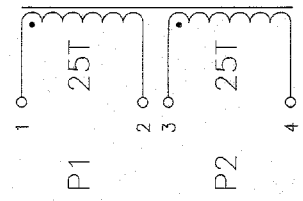
1. TITLE : CHOKE COIL SPEC
 ▲(A21004B)

2. OUTLINE & DIMENSIONS

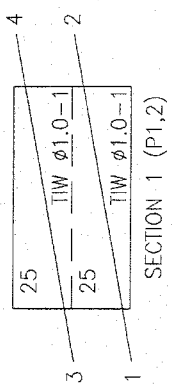


4. SPECIFICATIONS

1. CONNECTIONS



5. CONSTRUCTION



3. PARTS LIST

PARTS LIST	CATALOG No.	MANUFACTURE	REMARKS
1 CORE	TL25/15/10-3E6 H25x15x10 (R12K)	PHILIPS DMECC	
2 BASE PLATE	11565	COULTANT	
3 WINDING WIRE	TIW 35-ETFE	TOYOKU	φ1.0

2. WINDING SPECIFICATIONS

SECTION	CONNECTION	WINDING DIA.	NET TURNS	REMARKS
1	1 → 2	TIW φ1.0	1 25	P1
2	3 → 4	TIW φ1.0	1 25	P2
3	WITH-STAND VOLTAGE	COIL(P1)-COIL(P2)	AC3000V, 3sec or AC3000V, 1min	
4	INSULATION RESISTANCE	P - S		
5	INDUCTANCE	f=1kHz	6325μH±2000μH (1-4)	
6	TEMPERATURE RATING		CLASS F	
7	APPLICABLE SAFETY STANDARDS		UL, CSA, EN	
8	INSULATION SYSTEM			

6. INSTRUCTIONS

ITEM	CONTENTS
1 MARKING	STAMP
2 FIXING MATERIAL	NO
3 CUT PIN	NO
4 SPRING	NO
5 IMPREGNATION	NO
6 SOLDER	LEAD FREE NECESSARY (Sn-3.0Ag-0.5Cu)

▲ NOTE

RoHS Compliance :
 Refer to D-L Group Green Procurement
 Guideline : DL-EMS-010_

NO	DATE	NAME	CHK	ENGR	DATE	APPD	3RD ANGLE PROJECTION	TITLE	MATERIALS
C	20 Jul '07	A. HAGA							
B	24/May/'05	Moriyama	Motohashi						
A	13/Sep/'04	Y.ohtaki	Y.Akinaga						
D	20/Jun/'03	Y.ohtaki	H.Matsumoto						

NO	DATE	NAME	CHK	ENGR	DATE	APPD	3RD ANGLE PROJECTION	TITLE	MATERIALS
C	20 Jul '07	A. HAGA							
B	24/May/'05	Moriyama	Motohashi						
A	13/Sep/'04	Y.ohtaki	Y.Akinaga						
D	20/Jun/'03	Y.ohtaki	H.Matsumoto						

CHOKE COIL SPEC
 A210-35-04

DENSEI-LAMBDA

Mouser Electronics

Authorized Distributor

Click to View Pricing, Inventory, Delivery & Lifecycle Information:

[TDK-Lambda:](#)

[ARA00499](#)