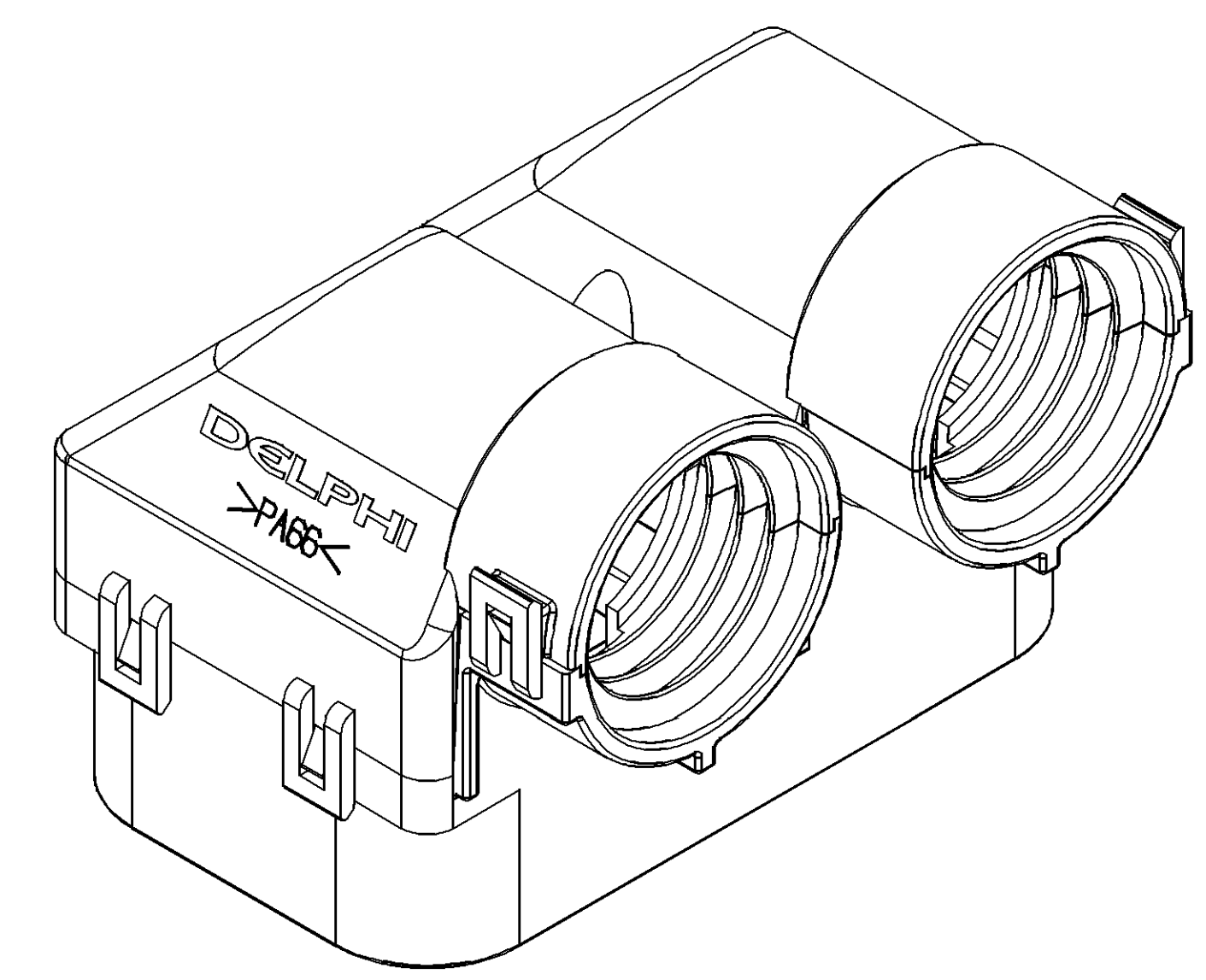
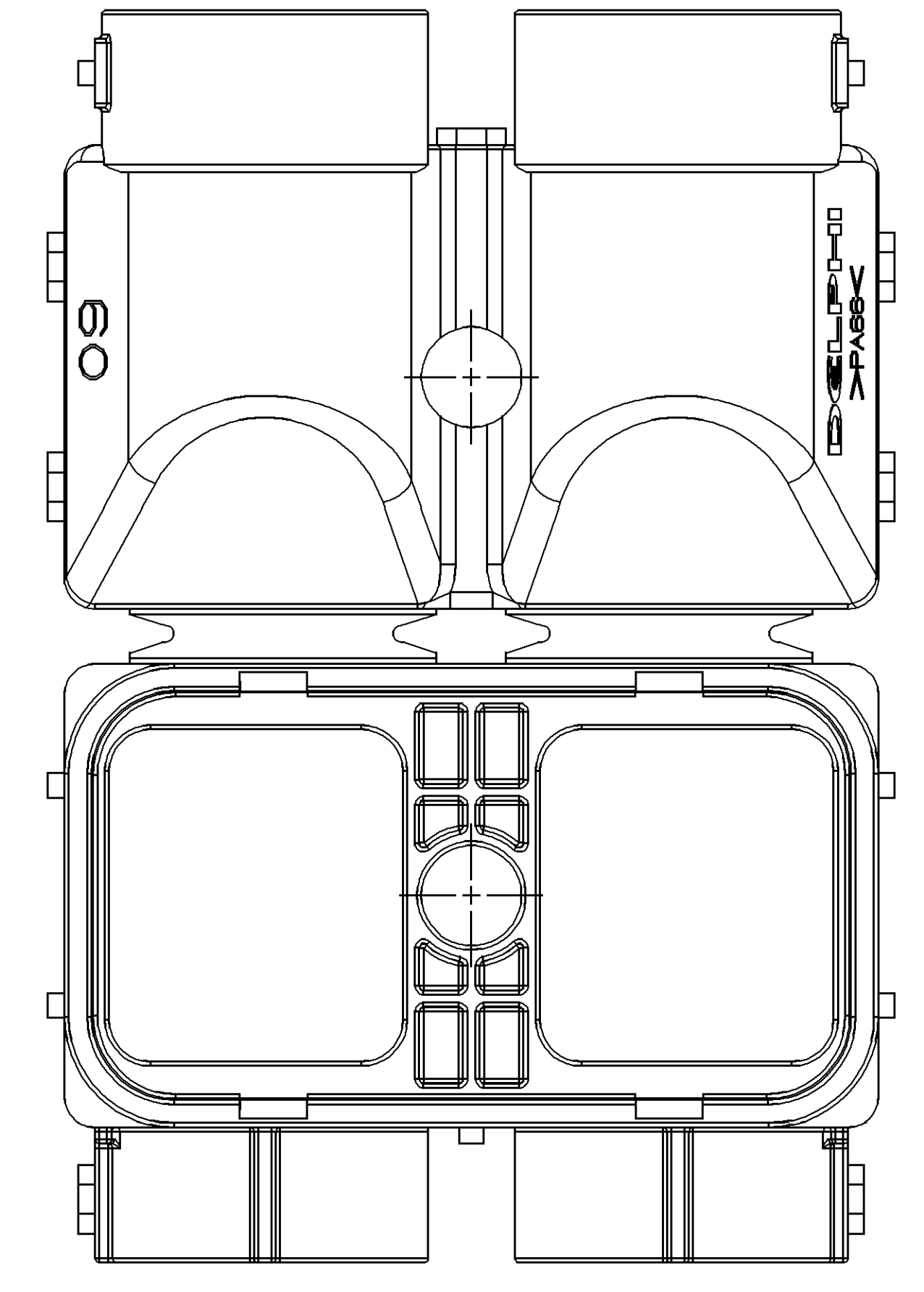
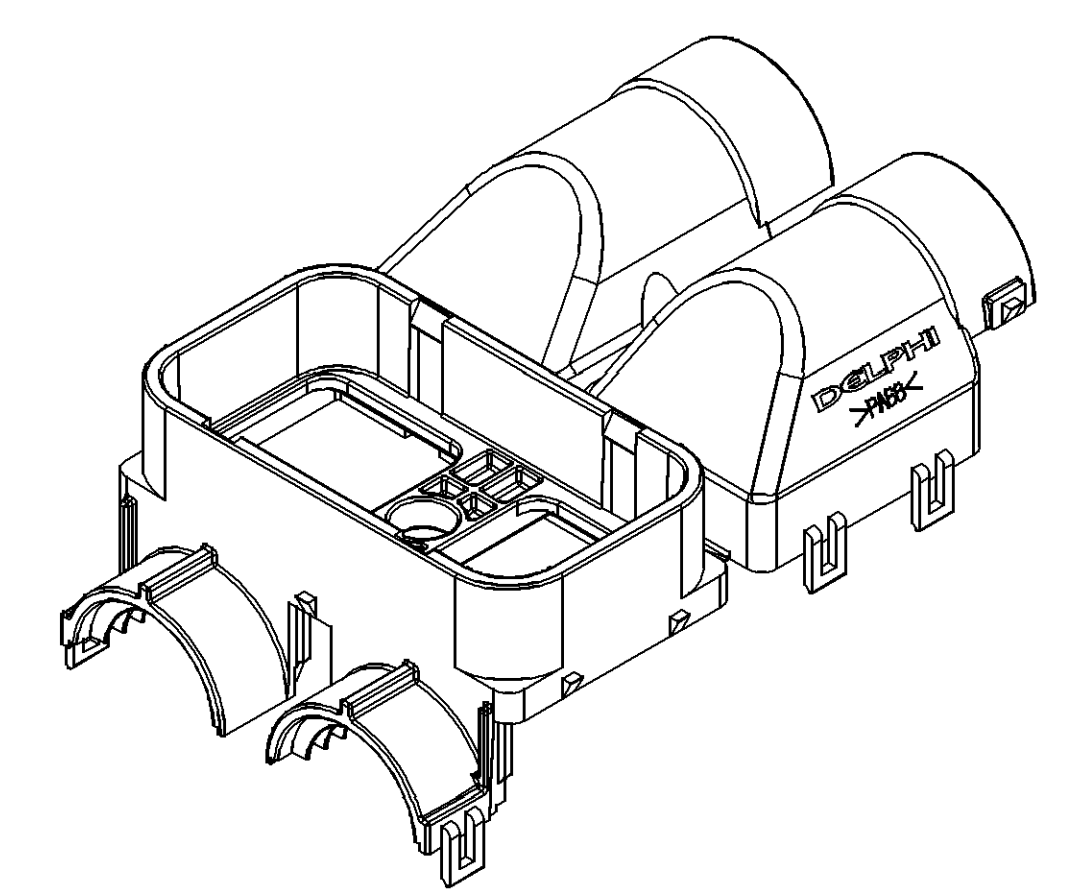
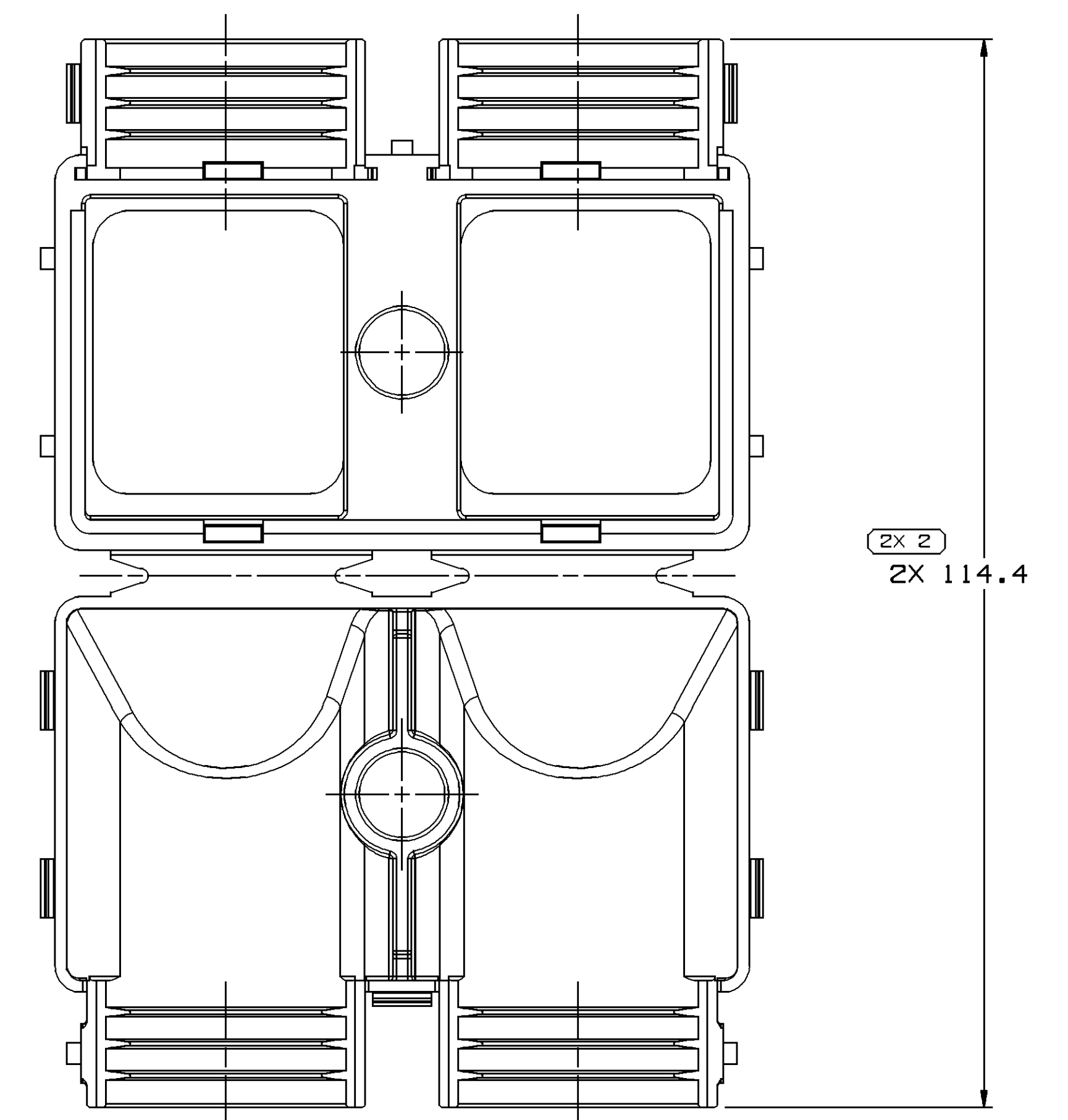
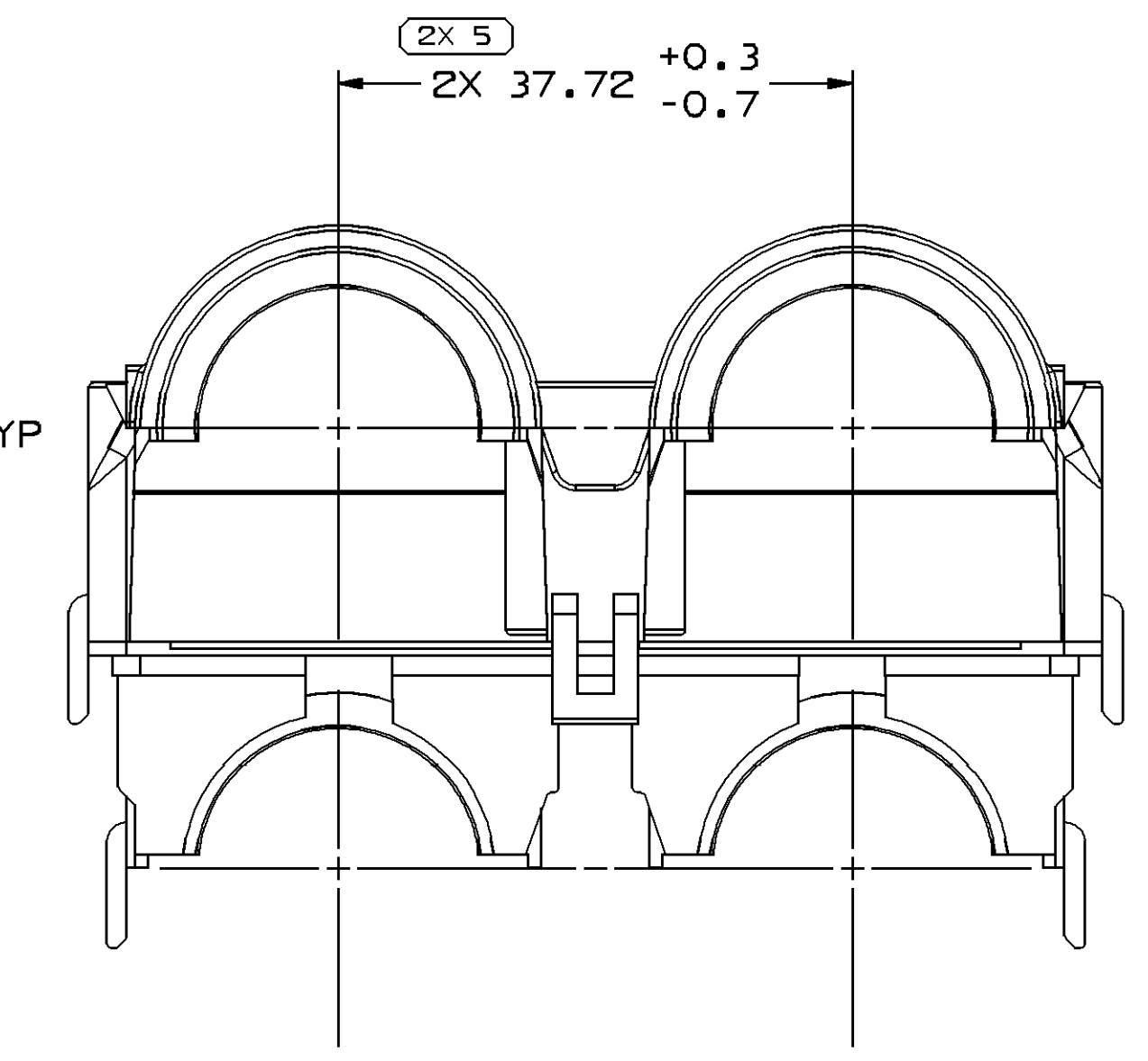
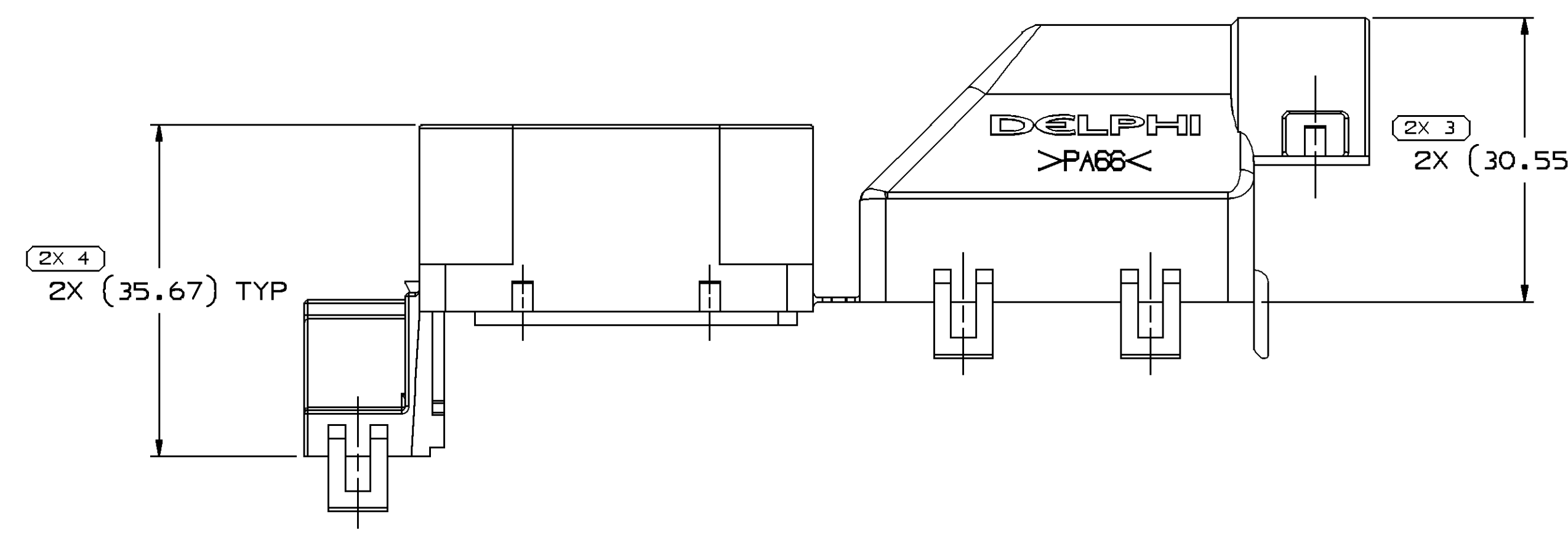
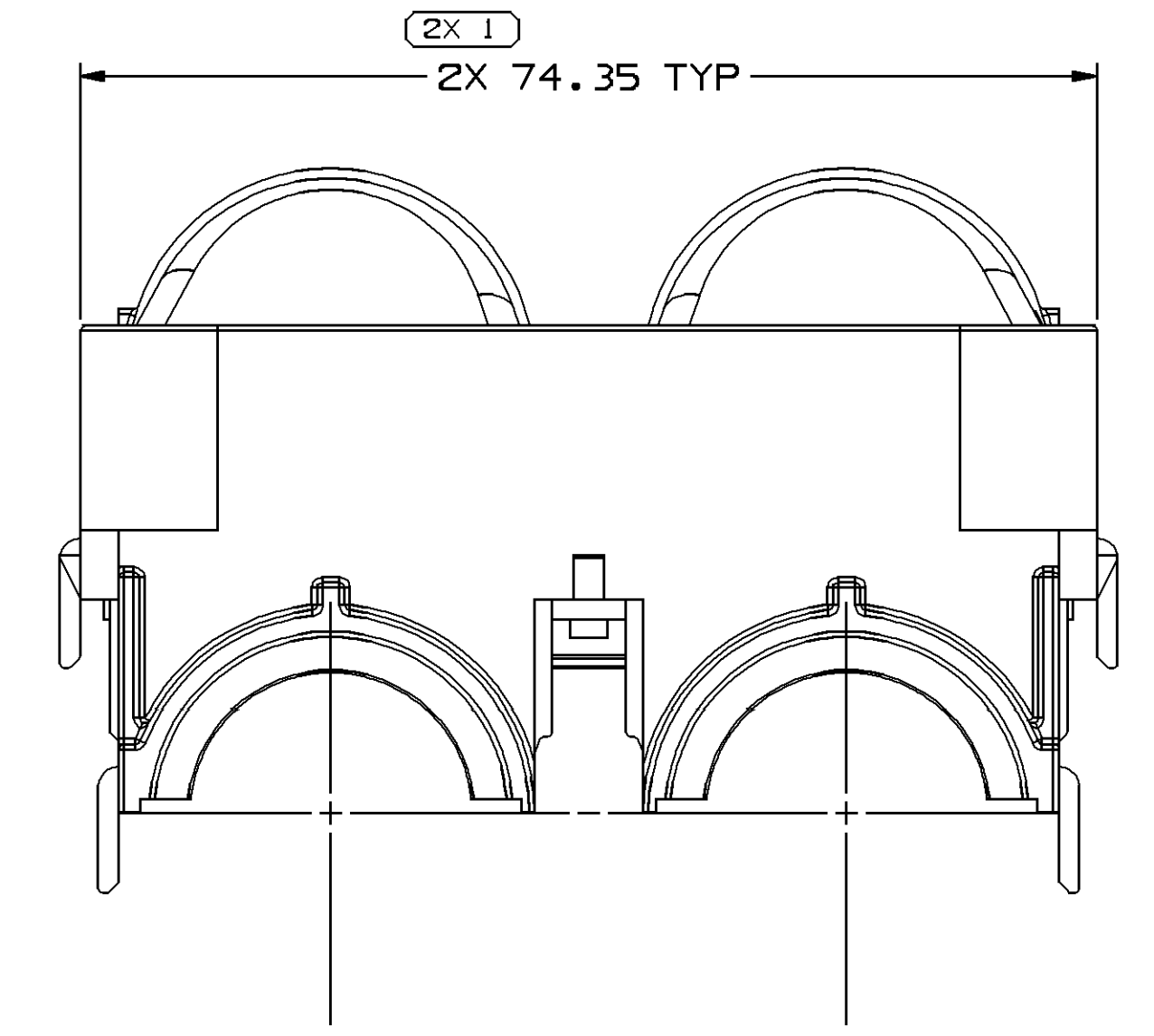
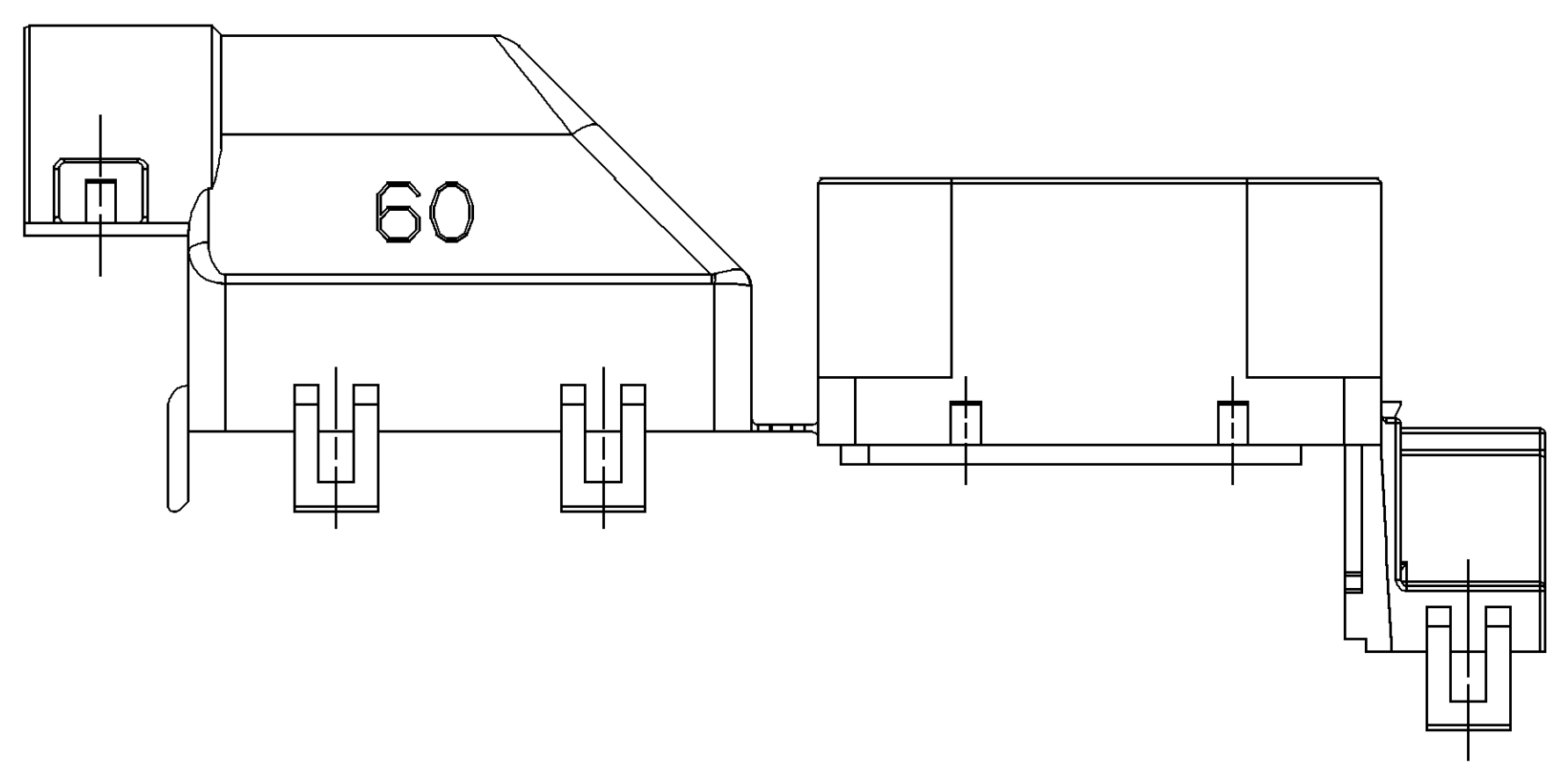


SYMBOL DEFINITION		TOTAL NO OF INSPECTIONS REQUIRED	NO MISSING SYMBOL NUMBER
A DIMENSION WITHOUT AN INSPECTION REPORT SYMBOL DOES NOT REQUIRE INSPECTION. IT MAY BE CONTROLLED ON THE INDIVIDUAL COMPONENT DRAWING.		10	
	LAST NO. USED	5	

DWG STATUS				REVISION HISTORY		AUTH	DR	AP/VD
DATE	STG	REV	N/P	CHG	ZONE			
18AU04	R	01	-	-		258133	MAC	MAC JC
18JA05	R	02	-	-		263364	ESH	JVM JC
14FE05	R	03	-	-		264410	ECB	AUG JC
25FE05	R	03	AA	-		265216	AMG	AMG JC
14AP05	R	03	AB	-		266120	RTV	JVM JPC
27JL06	R	03	AC	-		282987	JTZ	FRG SAN



VIEW ISO  
CLOSED COVER



- NOTES
- UNLESS OTHERWISE SPECIFIED AND/OR INDICATED:  
DIMENSIONS ARE TO FACE OF VIEW SHOWN AND AUTOMATICALLY ROUNDED BY COMPUTER FOR INSPECTION (SEE MATH MODEL FOR PRECISE DIMENSIONS). FOR ALL OTHER DIMENSIONS NOT SHOWN BUT REQUIRED FOR TOOL BUILD, SEE MATH MODEL FOR PRECISE TOOL PATH DATA.
  - MATERIAL RECYCLING CODE PER ISO 11469. (2.3X(0.1) CHARACTERS AS SHOWN TO BE LOCATED ON ANY EXTERIOR SURFACE.
  - (2.3X(0.1) DELPHI CORPORATE BRAND TO BE LOCATED ON ANY EXTERIOR SURFACE, PREFERABLY VISIBLE AT FINAL ASSEMBLY. OPTIONAL CONSTRUCTION TO BE "PED" OR NO LOGO.
  - REFERENCE MATING COMPONENTS OR EQUIVALENT:  
CONNECTORS - SEE DWG 15475163  
CONDUIT - SIZE 19 (2 PLCS)

DWG TYPE PART DRAWING		DATE	
STYLE	DISTR CODE	DR	DATE
VOLUME (QTY) 30, 340	D	APV01 M. CHRESTAY	18AU04
UNLESS OTHERWISE SPECIFIED THIS DOCUMENT IS IN ACCORDANCE WITH ASME Y14.5M-1994 AS MODIFIED BY THE M-SCHEM DIMENSIONING AND TOLERANCE PRACTICE (ASME Y14.5M-2009) AND THE M-PLACEMENT OF DIMENSION LINES AND DIMENSION VALUES (ASME Y14.5M-2009). SEPARATE MATING OF FEATURES MAY BE BASED SEPARATELY PER ASME Y14.5M-1994 REFERENCES.		APV02 M. CHRESTAY	18AU04
ALL DIMENSIONS ARE IN MILLIMETERS		APV03 JIM CYKON	20AU04
REFERENCE		APV04	
THIRD ANGLE PROJECTION		APV05	
DO NOT SCALE		SUBSTANCES OF CONCERN AND RECYCLED CONTENT PER DELPHI 10947001	
USE MATH DATA		MATERIAL M3592001 PA66 HS 1M BLK	
DIMENSIONAL RANGE (MM)		DRAWING NAME COV WIRE DRESS BLK	
FROM	TO	DRAWING NUMBER 15475969	
> 0	> 30	SCALE	FRAME NO
> 30	> 70	2:1	1 OF 1
> 70	> 100	SHEET NO	1 OF 1
> 100	> 150	STG	R
> 150	> 200	REV	03
> 200	> 250	AC	
> 250	> 300		
10.15	±0.2		
10.31	±0.4		
10.51	±0.6		
10.61	±0.8		
11	±1		
11.2	±1.2		
ANGULAR TOLERANCE 2°			

**DELPHI**  
DELPHI PACKARD ELECTRIC SYSTEMS  
WYREN, OH

DR	DATE
APV01 M. CHRESTAY	18AU04
APV02 M. CHRESTAY	18AU04
APV03 JIM CYKON	20AU04
APV04	
APV05	
SUBSTANCES OF CONCERN AND RECYCLED CONTENT PER DELPHI 10947001	
MATERIAL M3592001 PA66 HS 1M BLK	
DRAWING NAME COV WIRE DRESS BLK	
DRAWING NUMBER 15475969	
SCALE	FRAME NO
2:1	1 OF 1
SHEET NO	1 OF 1
STG	R
REV	03
AC	

# Mouser Electronics

Authorized Distributor

Click to View Pricing, Inventory, Delivery & Lifecycle Information:

[Aptiv:](#)

[15475969](#)