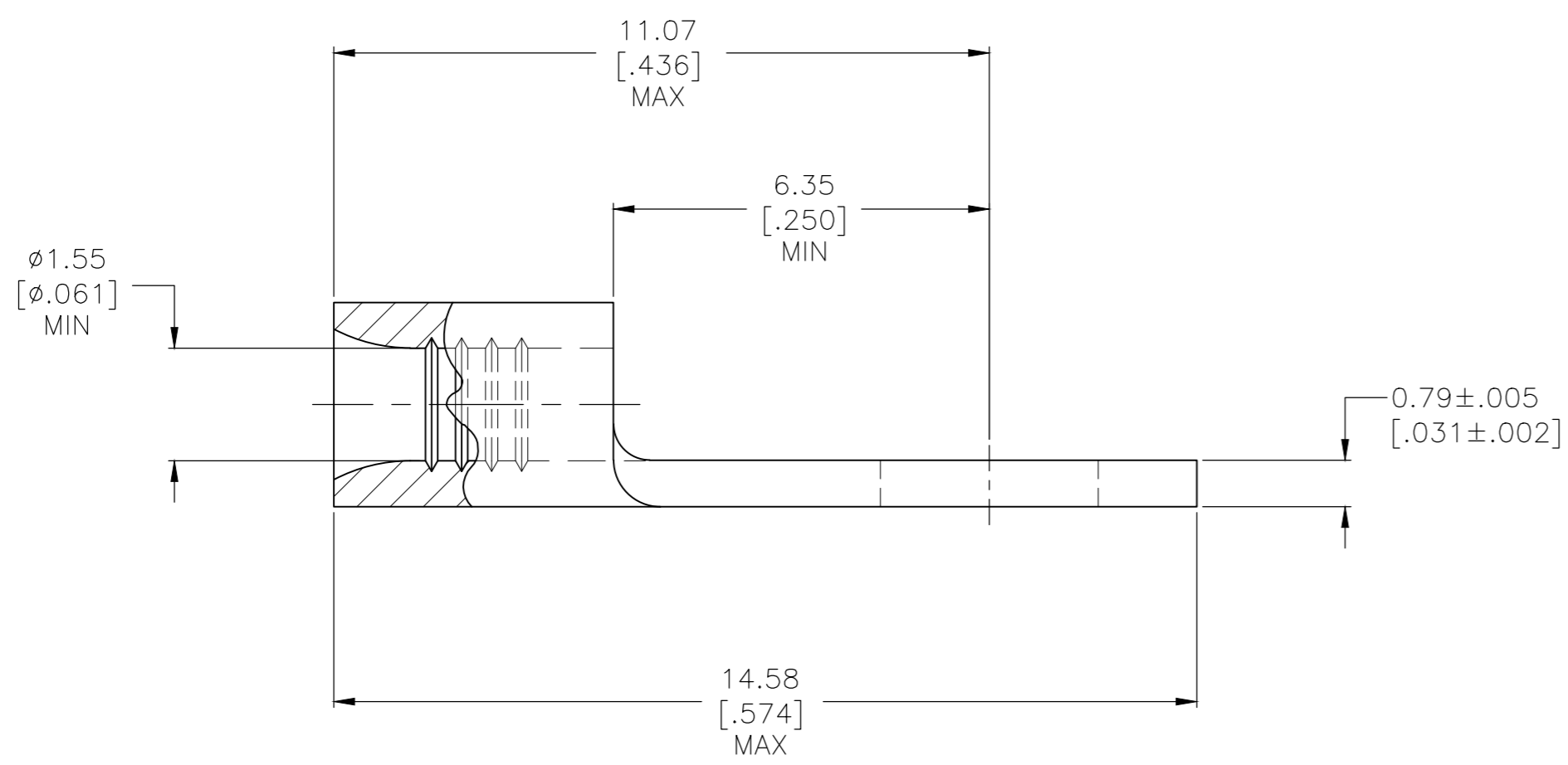
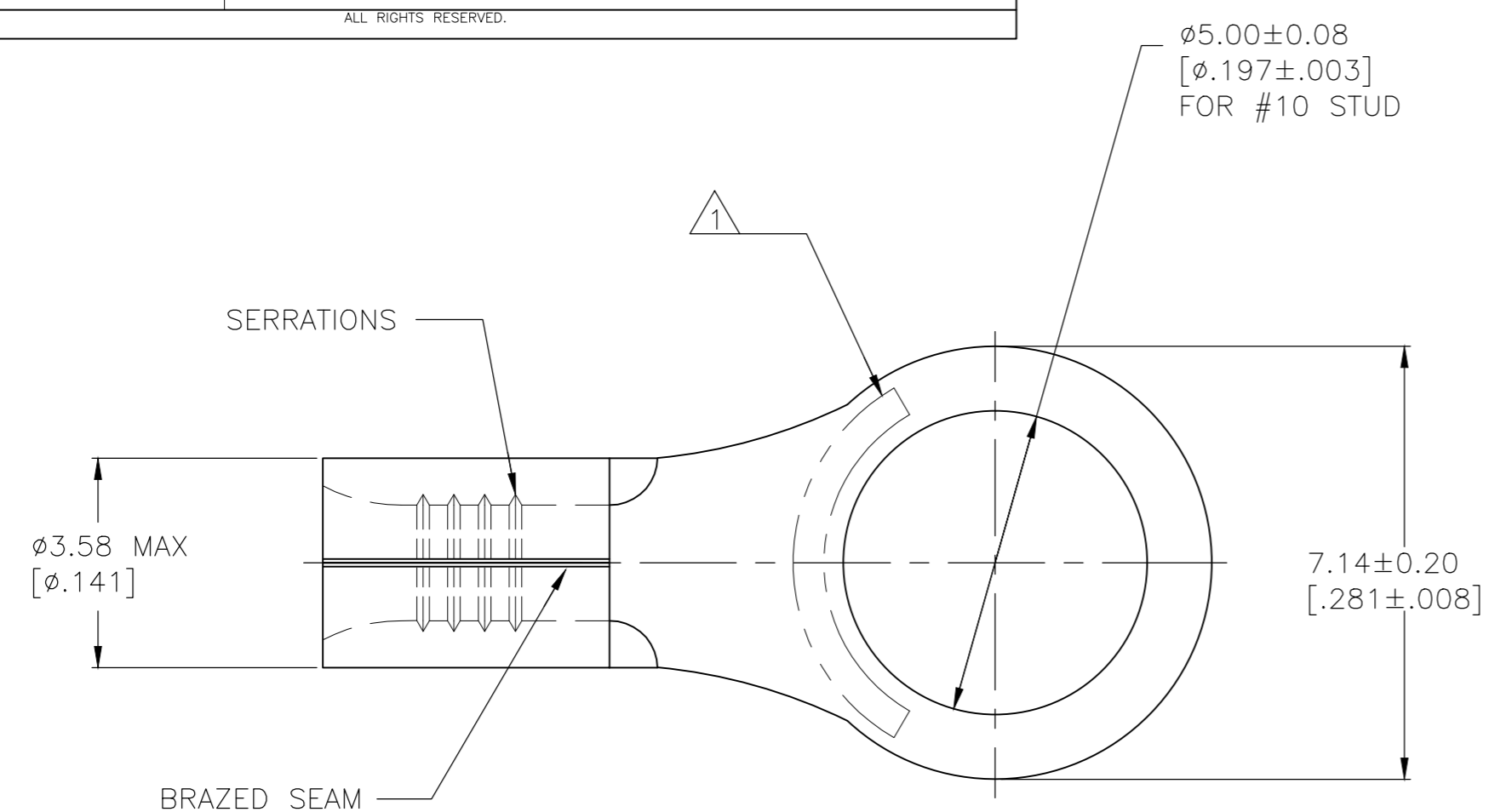


REVISIONS				
P	LTR	DESCRIPTION	DATE	APVD
D2		REVISED PER ECO-16-012677	29AUG2016	NK DR



AMP WIRE RANGE	E13288 Listed
22-16 AWG SOLID OR STRANDED	22-16 AWG SOLID OR STRANDED
LR7189 Certified	MILITARY P/N AND CLASS
22-16 AWG SOLID OR STRANDED	NOT APPLICABLE

- 1 STAMP AMP 22-18* APPROX AS SHOWN
22-16 TERMINALS ARE STAMPED 22-18 IN
ACCORDANCE WITH MILITARY SPEC MIL-7928
COMMERCIAL WIRE RANGE IS 22-16.
- 2 TIN PL 0.00254[.000100] MIN THK
PER MIL-T-10727.
- 3 GOLD PL 0.00127[.000050] MIN THK
PER MIL-G-45204 OVER NICKEL PL
0.00076[.000030] MIN THK PER QQ-N-290.
- 4 TIN-LEAD PLATE 0.01016-0.02032[.000400-.000800]
THK PER SAE AMS-P-81728.

FINISH	QUANTITY	PACKAGING TYPE	PART NO
2	100	LOOSE PIECE, BOX	8-34109-1
2	5000	ON TAPE	2-34109-2
3	1000	LOOSE PIECE	1-34109-1
4	1000	LOOSE PIECE	34109-1
2	1000	LOOSE PIECE	34109

AMP INCORPORATED		MAX RECOMMENDED OPERATING TEMPERATURE: 170°C[338°F] MAX
CUSTOMER SERVICE SYSTEMS		
FOR ADDITIONAL PRODUCT INFORMATION OR COPIES OF DRAWINGS AND TECHNICAL DOCUMENTS	PRODUCT INFORMATION CENTER 1-800-522-6752	VOLTAGE RATING: NOT APPLICABLE
FOR APPLICATION TOOLING INFORMATION	TOOLING ASSISTANCE CENTER 1-800-722-1111	WIRE CROSS SECTIONAL AREA RANGE: 0.26-1.65mm ² [509-3,260] CIR MILS SOLID OR STRANDED
FOR ORDER ENTRY	1-800-526-5142	

THIS DRAWING IS A CONTROLLED DOCUMENT.		DWN TA BRINKMAN 3-10-93	TE Connectivity	
DIMENSIONS: mm [INCHES]		CHK DA PATTERSON 3-10-93		
TOLERANCES UNLESS OTHERWISE SPECIFIED:		APVD DE MILLER 3-10-93	NAME TERMINAL, RING TONGUE, SOLISTRAND TM	
0 PLC ± - 1 PLC ± - 2 PLC ± - 3 PLC ± - 4 PLC ± - ANGLES ± -		APPLICATION SPEC	SIZE A2	CAGE CODE 00779
MATERIAL COPPER PER ASTM B-152 ANNEALED		FINISH SEE TABLE	WEIGHT -	DRAWING NO C-34109
CUSTOMER DRAWING			SCALE 10:1	SHEET 1 of 1
			RESTRICTED TO -	REV D2

Mouser Electronics

Authorized Distributor

Click to View Pricing, Inventory, Delivery & Lifecycle Information:

[TE Connectivity:](#)

[2-34109-2](#)