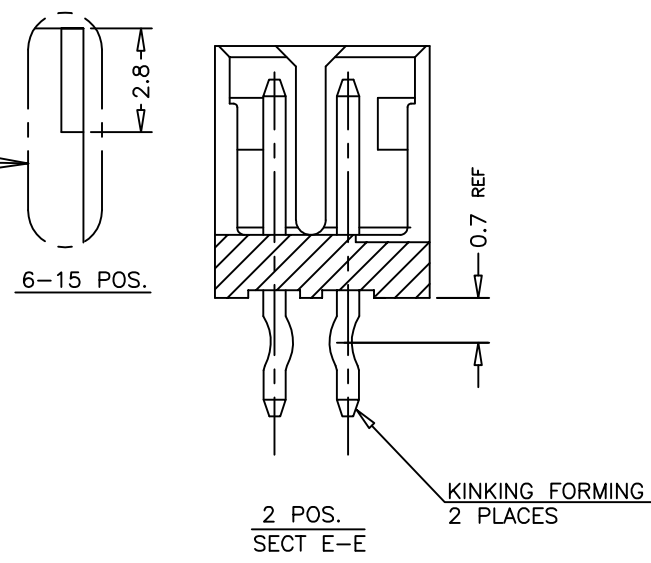
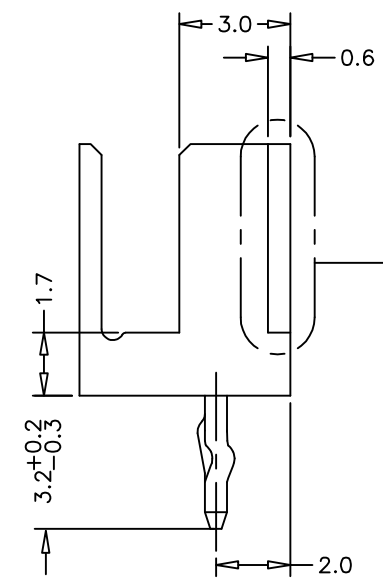
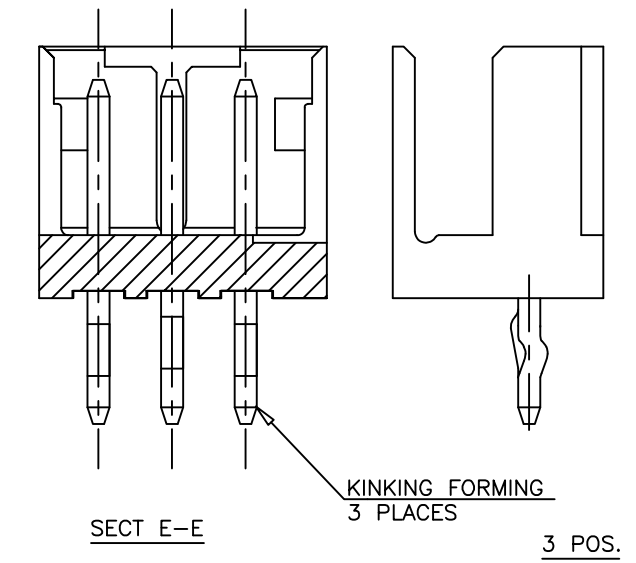
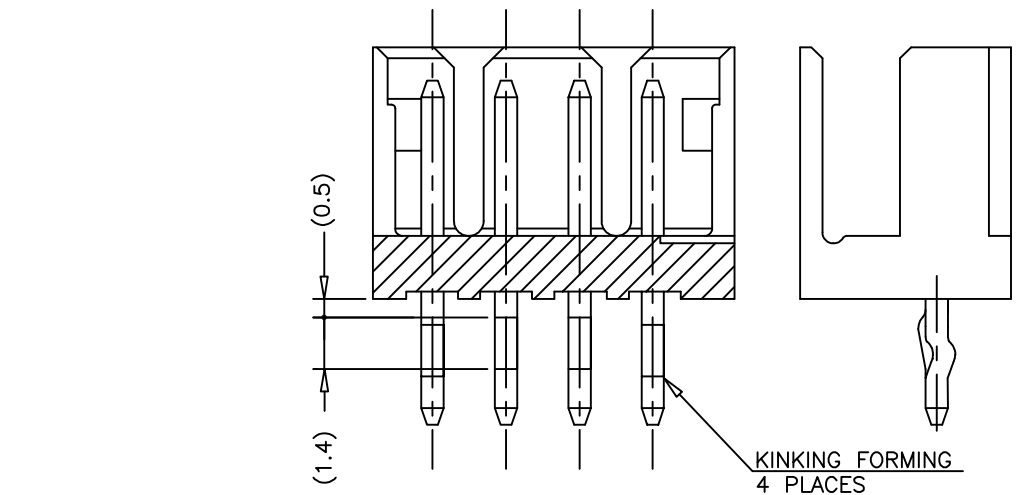
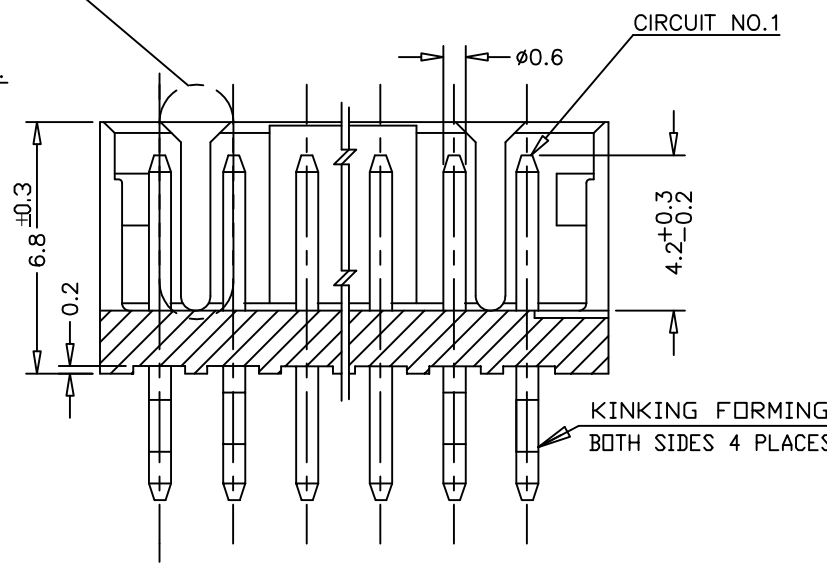
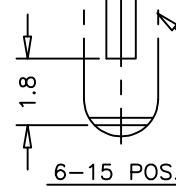
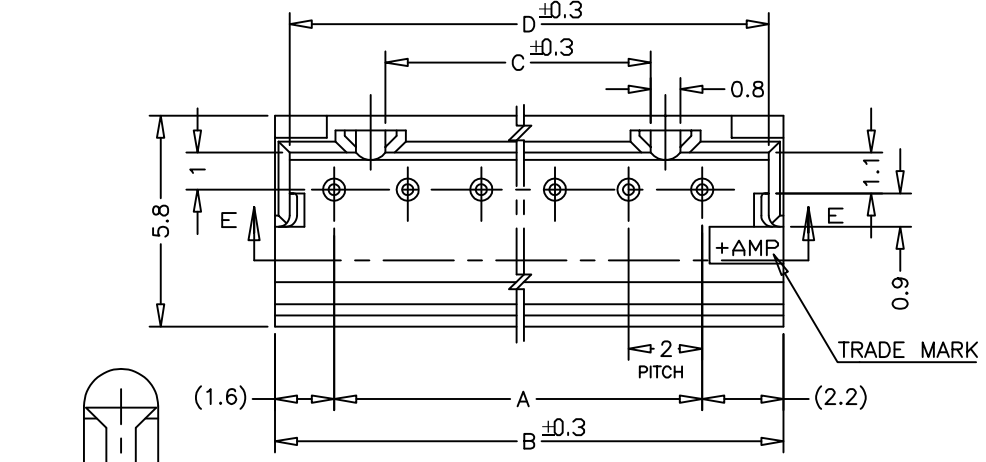
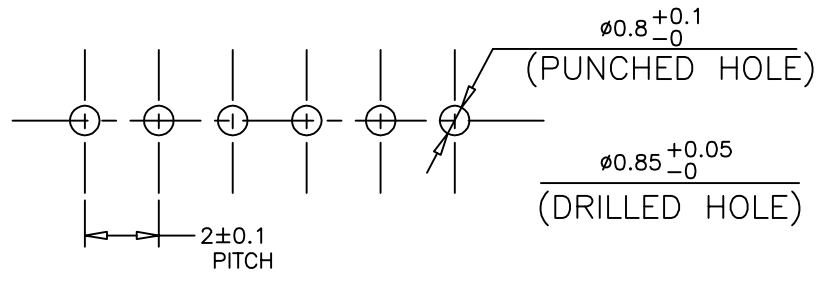


THIS DRAWING IS UNPUBLISHED. RELEASED FOR PUBLICATION  
 © COPYRIGHT - By - ALL RIGHTS RESERVED.

LOC	DIST	REVISIONS					
FB	00	P	LTR	DESCRIPTION	DATE	DWN	APVD
		P1	REVISED	ECR-14-006619	13MAY14	T.Q	W.H



NOTES:  
 1 MATERIAL : HOUSING-66 NYLON (UL94V-0)  
 POST -GOLD-PLT BRASS  
 2 APPLICABLE RECEPTACLE : P/N 176392



NOT ACCUMULATED TOLERANCE

RECOMMENDABLE P.C. BOARD LAYOUT  
 (PCB THK : 0.8-1.6)

NATURAL (WHITE)	1-292134-5	15	28	31.8	25.2	31.0
	1- -2	12	22	25.8	19.2	25.0
	1- -0	10	18	21.8	15.2	21.0
	-9	9	16	19.8	13.2	19.0
	-6	6	10	13.8	7.2	13.0
	-5	5	8	11.8	5.2	11.0
	-4	4	6	9.8	3.2	9.0
	-3	3	4	7.8	-	7.0
292134-2	2	2	5.8	-	5.0	
COLOR	P/N	POS.	A	B	C	D

THIS DRAWING IS A CONTROLLED DOCUMENT.		DWN	S.XU	31JAN03	TE Connectivity	NAME		POST HEADER ASS'Y (BOX-V)	
DIMENSIONS: mm		CHK	S.YAO	31JAN03		PRODUCT SPEC		GOLD PLT TYPE (AMP CT CONNECTOR 2mm PITCH)	
TOLERANCES UNLESS OTHERWISE SPECIFIED: ±0.2		APVD	T.SASAKI	31JAN03		APPLICATION SPEC		108-60016	
MATERIAL: SEE NOTE		FINISH: SEE NOTE		WEIGHT	-	SIZE	A3	CAGE CODE	00779
				CUSTOMER DRAWING		DRAWING NO	C=292134		RESTRICTED TO
						SCALE	5:1	SHEET	1 of 1
						REV	P1		

# Mouser Electronics

Authorized Distributor

Click to View Pricing, Inventory, Delivery & Lifecycle Information:

[TE Connectivity:](#)

[1-292134-5](#)