

Customer Information Sheet

DRAWING No.: M50-490XX45

SHEET 2 OF 2

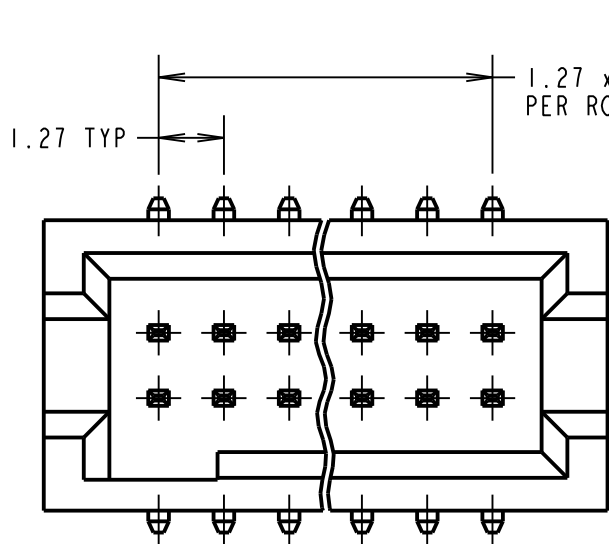
IF IN DOUBT - ASK

©

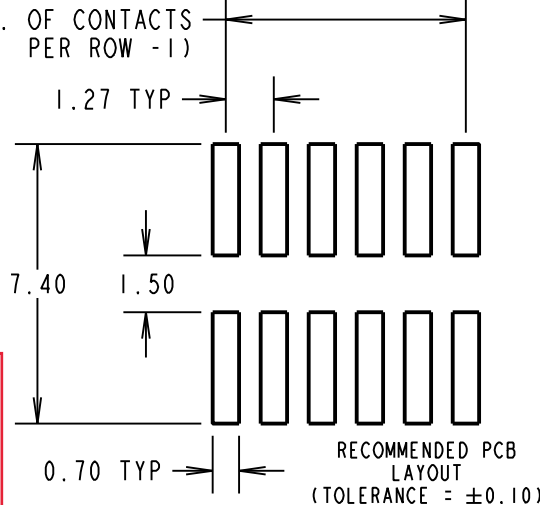
NOT TO SCALE

THIRD ANGLE PROJECTION

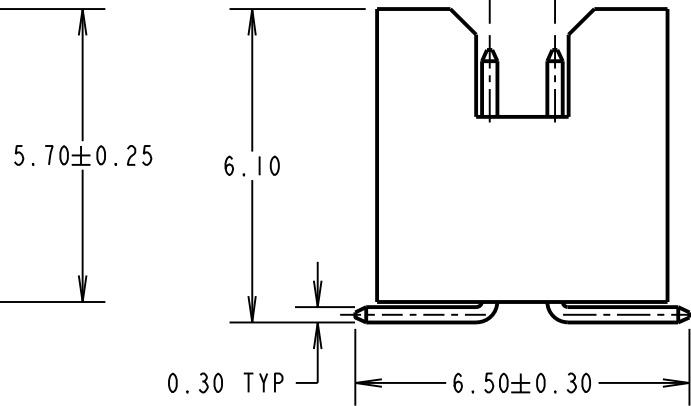
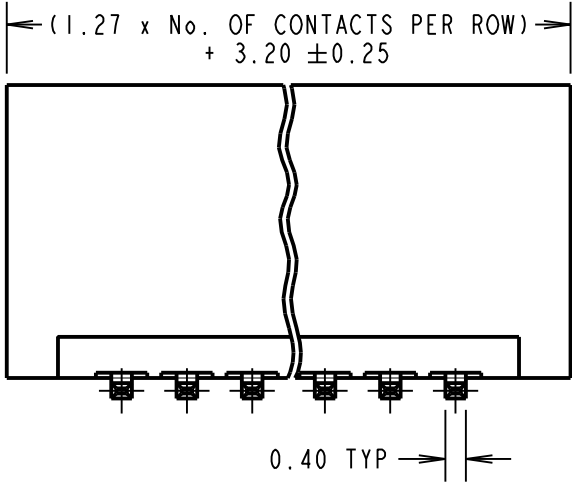
ALL DIMENSIONS IN mm



OBSOLETE
No. of contacts per row = 16 to 19, 21 to 24, 26 to 49
Last Time Buy = 15th June 2018



SPECIFICATIONS:
MATERIAL:
 MOULDING = LCP UL94V-0, BLACK
 CONTACT = COPPER ALLOY
FINISH:
 CONTACT = GOLD
ELECTRICAL:
 CURRENT RATING = 1A
 VOLTAGE PROOF = 300V AC/DC
 CONTACT RESISTANCE = 20mΩ MAX
 INSULATION RESISTANCE = 1,000MΩ MIN
MECHANICAL:
 DURABILITY = 100 CYCLES MIN
ENVIRONMENTAL:
 OPERATING TEMPERATURE = -40°C TO +105°C
PACKING:
 TUBE
 FOR COMPLETE SPECIFICATION, SEE COMPONENT SPECIFICATION C029XX (LATEST ISSUE)



ORDER CODE:
M50-490XX45
 No. OF CONTACTS PER ROW: **05 to 15, 20, 25, 50**
FINISH:
 GOLD ALL OVER CONTACT

NOTE:
 1. ALL TOLERANCES ARE ±0.15, UNLESS OTHERWISE STATED.

SB	8	27.08.13	11873
NAME	ISS.	DATE	C/NOTE
APPROVED: S.BENNETT			
CHECKED: S.FLOWER			
DRAWN: J. ENRIGHT			
CUSTOMER REF.:			
ASSEMBLY DRG:			

HARWIN

www.harwin.com
 technical@harwin.com

THIS DRAWING AND ANY INFORMATION OR DESCRIPTIVE MATTER SET OUT HEREON ARE CONFIDENTIAL AND COPYRIGHT PROPERTY OF THE HARWIN GROUP AND MUST NOT BE DISCLOSED, LOANED, COPIED OR USED FOR MANUFACTURING, TENDERING OR FOR ANY OTHER PURPOSE WITHOUT THEIR WRITTEN PERMISSION.

TOLERANCES
 / = ±1mm
 X.X = ±0.25mm
 X.XX = ±0.10mm
 X.XXX = ±0.01mm
 ANGLES = ±5°
 UNLESS STATED

MATERIAL:
 SEE ABOVE
FINISH:
 SEE ABOVE
S/AREA: mm²

TITLE:
 1.27mm PITCH DIL SMT PIN HEADER ASSY
DRAWING NUMBER:
M50-490XX45
 SHT 2 OF 2