

Now you're connected!

About Amphenol Commercial Products

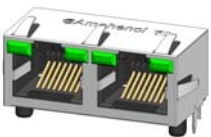
Amphenol's commercial connector products are used in a variety of end user applications including networking, telecom, server & computer, storage & HDD, consumer electronics and entertainment, professional audio & Industrial & Military/Aerospace.

Related Products

RJHSE



P/N RJHSE-3081 SHOWN
SINGLE PORT VERTICAL MOUNT,
NO SHIELD, WITH LEDS

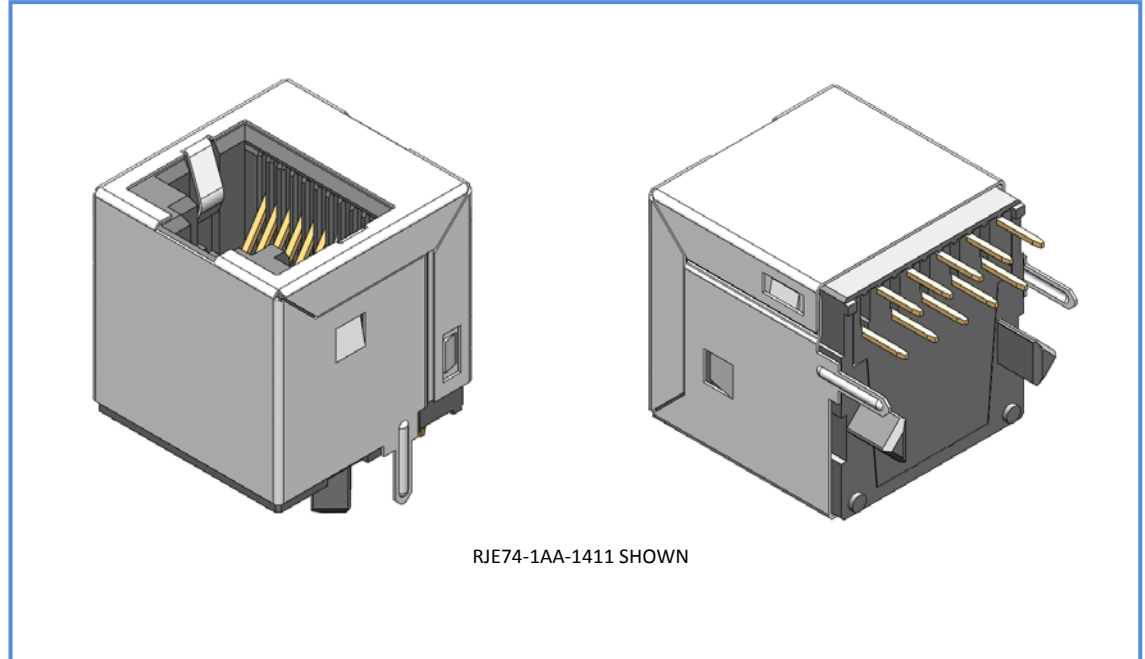


P/N RJHSE-5385-02 SHOWN
TWO PORT REGULAR MOUNT,
WITH SHIELD AND LEDS

RJSAE



P/N RJSAE-5385-02 SHOWN
STACKED 2x1, 8 POSITION,
WITH SHIELD AND LEDS



RJE74-1AA-1411 SHOWN

Overview

This product specification defines the general use and performance parameters for Amphenol's RJE74 series of vertical modular jacks.

Availability: Single port, 10 position, shielded versions available with RMK4 key.

Usage

The RJE74 vertical modular jack supports Ethernet Protocols. Shielding is available for increased EMI performance and RMK4 keyed interface prevents mating with regular plugs.

Applications

Intended for use in applications such as:

Networking & Telecom

- Wireless (WiMAX)
- Network servers
- Hubs, routers, switches

Office & Home Equipment

- PC's, Laptops, Copiers/Printers
- Telephones, modems
- Surge Protectors
- ATMs, Vending Machines

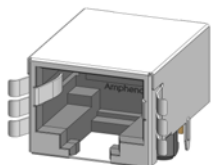
Now you're connected!

About Amphenol Commercial Products

Amphenol's commercial connector products are used in a variety of end user applications including networking, telecom, server & computer, storage & HDD, consumer electronics and entertainment, professional audio & Industrial & Military/Aerospace.

Related Products

RJLE



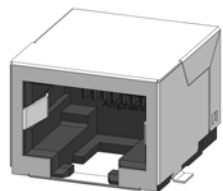
P/N RJLE-4X182-01 SHOWN
SINGLE PORT REGULAR MOUNT,
STANDARD SHIELD WITH SMT

FRJAE



P/N FRJAE-418 SHOWN
SINGLE PORT, 8 POSITION,
WITH FERRITE FILTER AND
SHIELD (FRONT TABS)

RJLSE



P/N RJLSE-41181-01 SHOWN
SINGLE PORT REGULAR MOUNT,
STANDARD SHIELD WITH SMT

Electrical Characteristics

Contact resistance:	20 mΩ max.
Insulation resistance:	500 MΩ minimum at 500V DC for 2 minutes max.
Current rating:	1.5 Amps
Voltage rating:	125 Volts AC
DWV	1000 VAC, 60 Hz. 1 min.

Mechanical Characteristics

RMK4 keyed interface available to prevent mating with regular plugs.
Mating connector insertion force: 5.0 lbs. Maximum.
Mating connector pull retention force: 20 lbs Minimum.
Durability: 750 mating & unmating cycles
Recommended soldering temperature: 260°C for 5 seconds max.
Connectors are suitable for IR Reflow

Operating temperature: -55° C to +85° C

Material Requirements

RJE74 connectors are RoHS compliant.
Unless otherwise specified, the materials for each component shall be:

Insulator:

- High Temp thermoplastic. Complies with UL 94V-0, Black color

Contacts:

- Phosphor Bronze hard temper with 30μ" min gold thickness over 50μ" minimum Nickel on contact mating area.
- 100μ" minimum matte tin plating on soldering tail

Shield:

- Stainless steel; pure tin dipped tail

Available Documents

Drawing Numbers:

P-RJE74-1XX-XX10-X	10 Position Modular Jack, Shield and Kapton tape options..
P-RJE74-1XX-XX11-X	10 Position Modular Jack with RMK4 key, Shield, Kapton tape options.

Contact factory or Authorized Amphenol representative for additional configurations

Mouser Electronics

Authorized Distributor

Click to View Pricing, Inventory, Delivery & Lifecycle Information:

[Amphenol:](#)

[RJE741881411A](#) [RJE741AA1410A](#) [RJE741881410A](#) [RJE741AA1411A](#) [RJE741AA1311H](#) [RJE741AA1310H](#)