

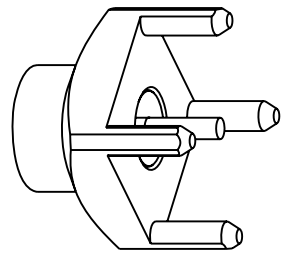
NOTES:

1. MATERIAL AND FINISH (PLATING THICKNESS IN INCHES):  
 BODY - BRASS, GOLD PLATING, .000030 [0.8 um] THICK  
 CONTACT - BRASS, GOLD PLATING, .000030 [0.8 um] THICK  
 INSULATOR - PEEK, NATURAL
2. ELECTRICAL:  
 A. IMPEDANCE: 50 OHM  
 B. FREQUENCY RANGE: DC - 6 GHz  
 C. VSWR(RETURN LOSS): 1.10 (26.4 dB), MAX. DC-2GHz  
 1.22 (20 dB), MAX. 2-6GHz  
 D. DIELECTRIC WITHSTANDING VOLTAGE: 500 VRMS, MIN.
3. PHYSICAL:  
 A. DURABILITY: 500 CYCLES MIN.  
 B. ENGAGEMENT FORCE: 9 LB [40 N] MAX  
 C. DISINGAGEMENT FORCE: 2 LB [8.8 N] MIN  
 D. INNER CONTACT RETENTION FORCE: 1.5 LB [7 N] MIN  
 E. TEMPERATURE RANGE: -65° C TO 165° C

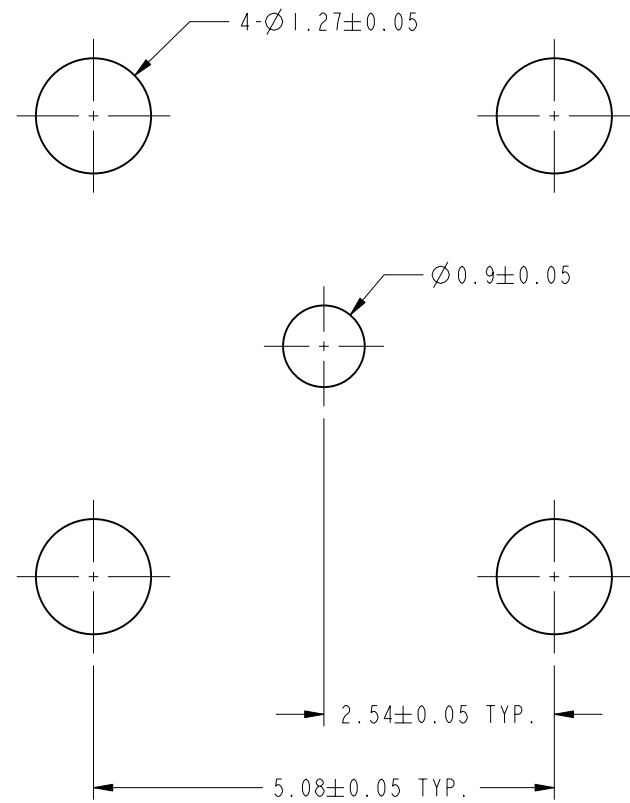
THIRD ANGLE PROJ.

REVISIONS

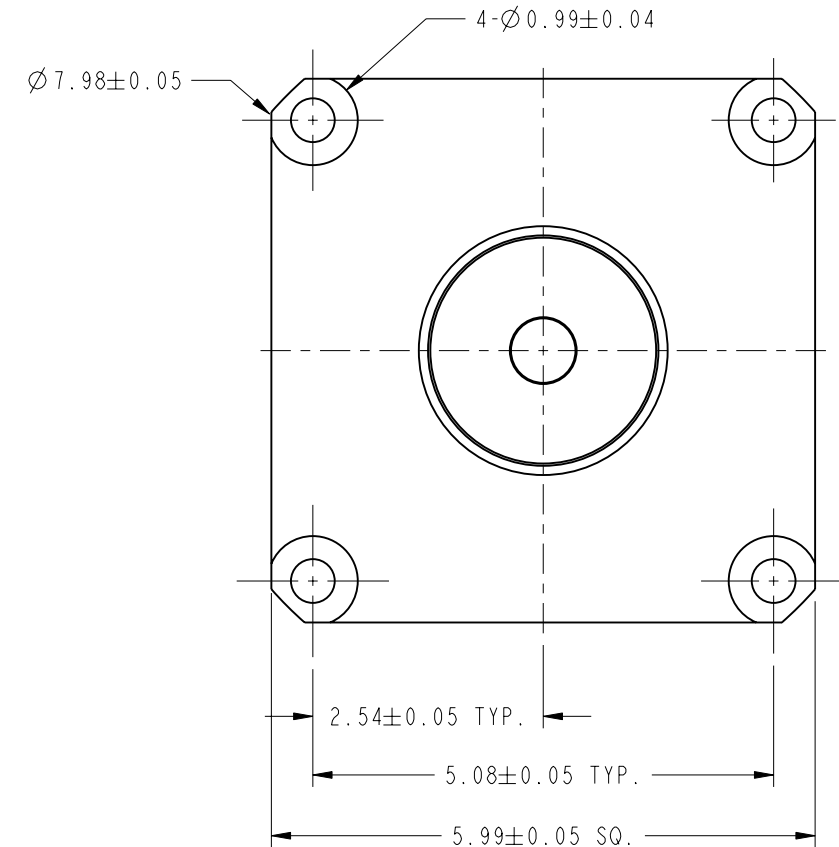
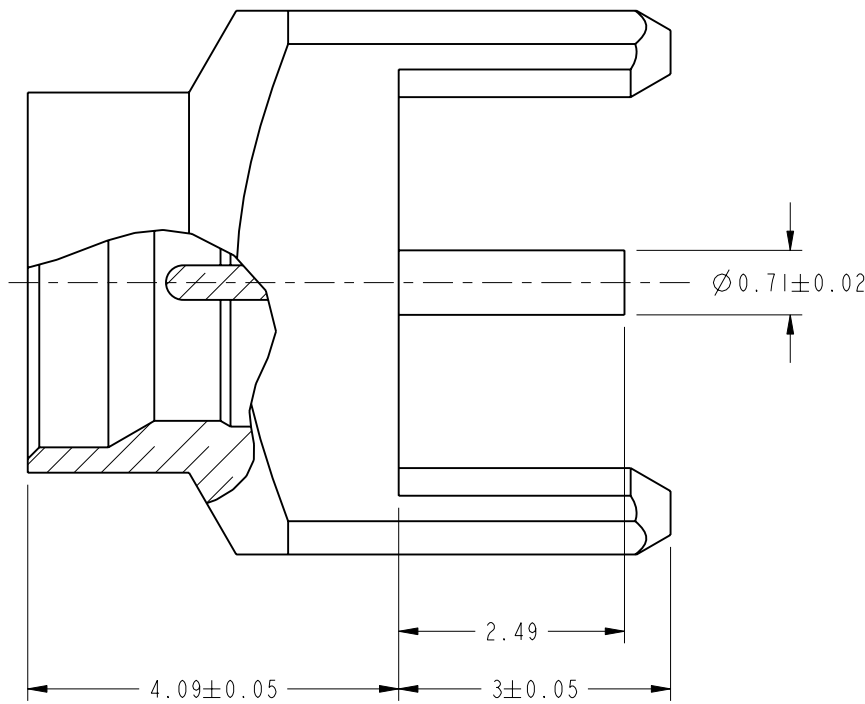
REV	DESCRIPTION	DATE	ECO	APPR
A	RELEASE TO MFG	3/2/05	45425	WAH
B	ADDED RECOMMENDED PCB\RD-DM10052601J1	01-Jun-10	48105	SH



SCALE 4.000



RECOMENDED PCB MOUNTING DIMENSIONS



**CUSTOMER OUTLINE DRAWING**

ALL OTHER SHEETS ARE FOR INTERNAL USE ONLY

UNLESS OTHERWISE SPECIFIED, DIMENSIONS ARE IN METRIC AND TOLERANCES ARE: <0.5mm ±0.05mm    0.5 - 6mm ±0.1mm    6 - 30mm ±0.2mm    30 - 120mm ±0.3mm    ANGLES ±1°	MATERIAL	DRAWN J.CHENG	DATE 01-Jun-10	TITLE SMP JACK PIN CONTACT PCB RECEPTACLE CATCHERS MIT	Amphenol RF Danbury CT USA, Tainan, Taiwan, Shenzhen, China www.amphenolrf.com
	REFERENCE EAR # 1531 AND 615X-1732	ENGINEER S.HSIEH	DATE 9/21/04		
NOTICE - These drawings, specifications, or other data (1) are, and remain the property of Amphenol corp. (2) must be returned upon request; and (3) are confidential and not to be disclosed to any person other than those to whom they are given by Amphenol Corp. the finishing of these drawings, specifications, or other data by Amphenol Corp., or to any other person to anyone for any purpose is not to be regarded by implication or otherwise in any manner licensing, granting rights to permitting such holder or any other person to manufacture, use or sell any product, process or design, patented or otherwise, that may in any way be related to or disclosed by said drawings, specifications, or other data.	CONFIGURATION LEVEL: Released	APPROVED S.HSIEH	DATE 01-Jun-10	SCALE: 12.0:1.0 SHEET 2 OF 2	ITEM NO. SMP-MSLD-PCT
	FINISH	I:\SMP\SMP-MSLD-PCT	DWG SIZE B	REV B	PART NO. SMP-MSLD-PCT

# Mouser Electronics

Authorized Distributor

Click to View Pricing, Inventory, Delivery & Lifecycle Information:

[Amphenol:](#)

[SMP-MSLD-PCT](#)