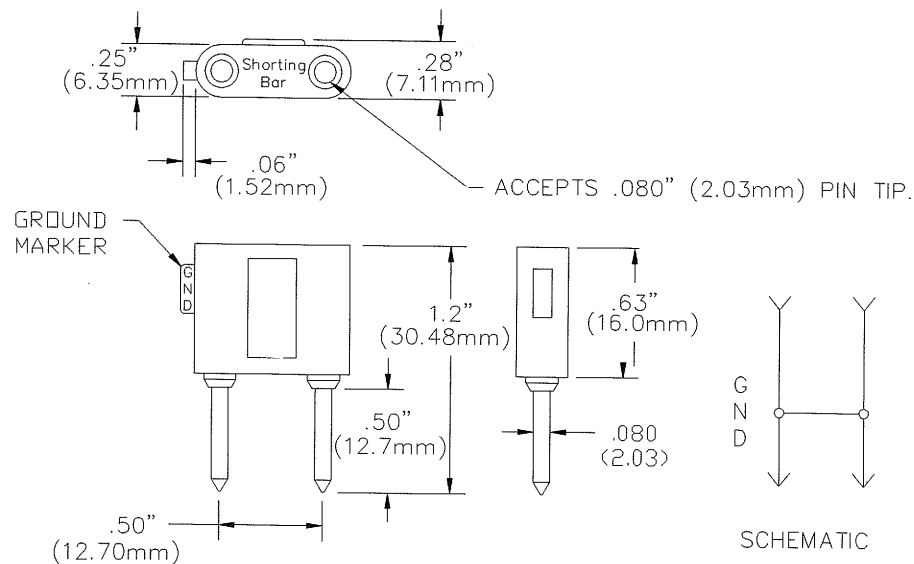


MUELLER®

MODEL: BU-P3452

Shorting Bar Pin Tip Plug



MATERIALS:

Body – ABS (Black)

Pins – Gold Plated Brass

Jacks – Gold Plated Beryllium Copper

Mates with Mueller P4543 or any standard .080" Pin Jack.

RATING:

5 Amps

Hands free testing to 3000 VMRS max.

Temperature: -50°C to 50°C

Mouser Electronics

Authorized Distributor

Click to View Pricing, Inventory, Delivery & Lifecycle Information:

[Mueller Electric:](#)

[BU-P3452](#)