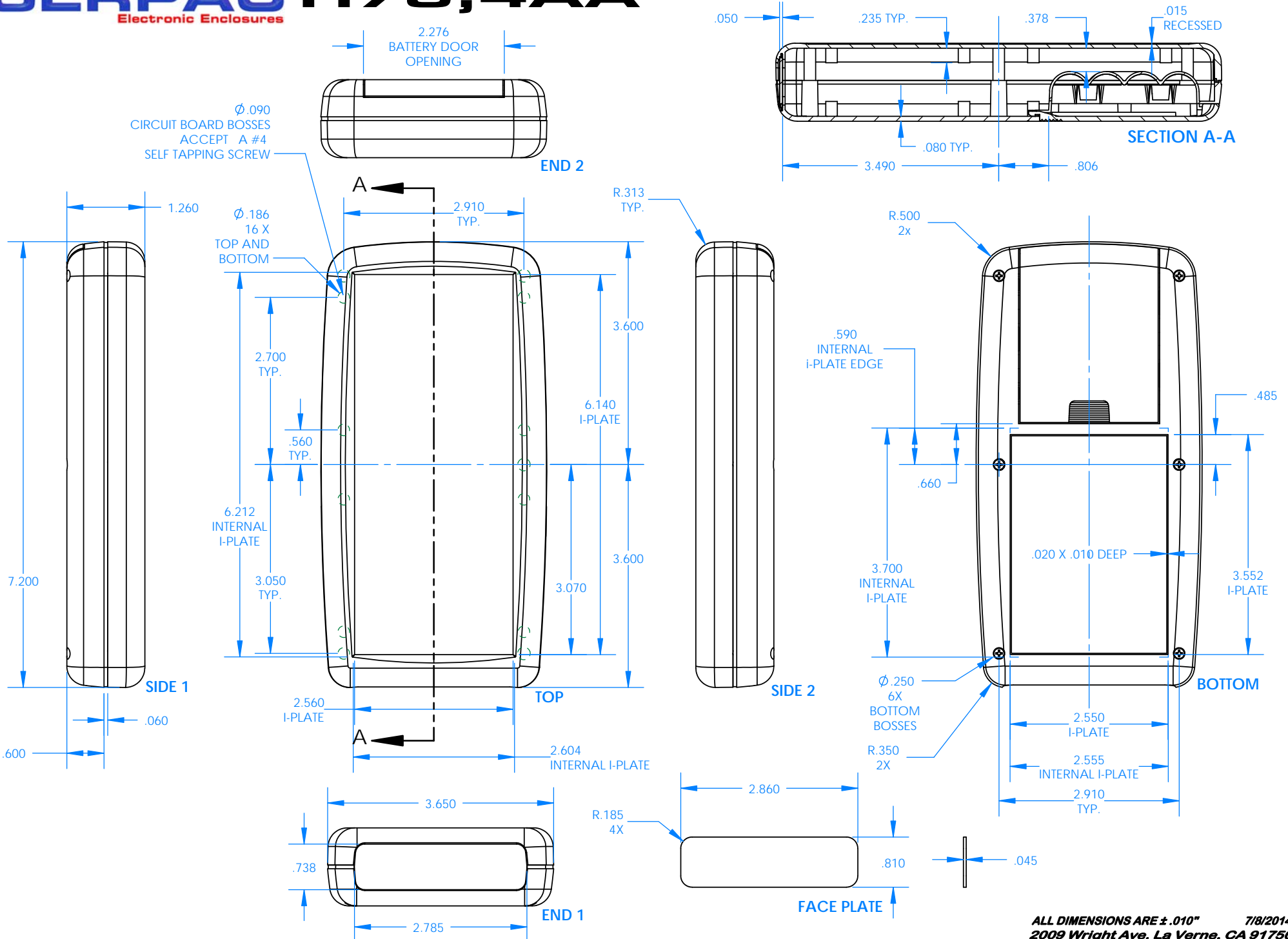


SERPAC H75,4AA

Electronic Enclosures



ALL DIMENSIONS ARE ± .010" 7/8/2014
 2009 Wright Ave. La Verne, CA 91750
 Ph. (626) 331-0517 Fx. (626) 331-8584 serpac.com

Mouser Electronics

Authorized Distributor

Click to View Pricing, Inventory, Delivery & Lifecycle Information:

SERPAC:

[H-75-4AA-ALMOND W/CLIP](#) [H-75-4AA-A](#) [H-75-4AA-B](#) [H-75-4AA-G](#)