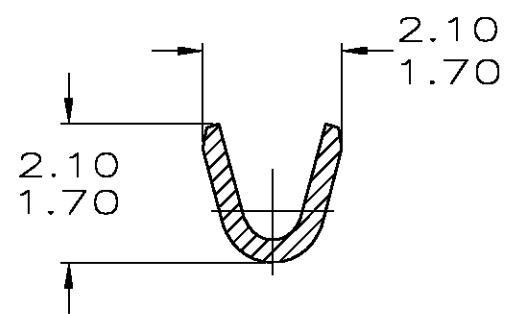
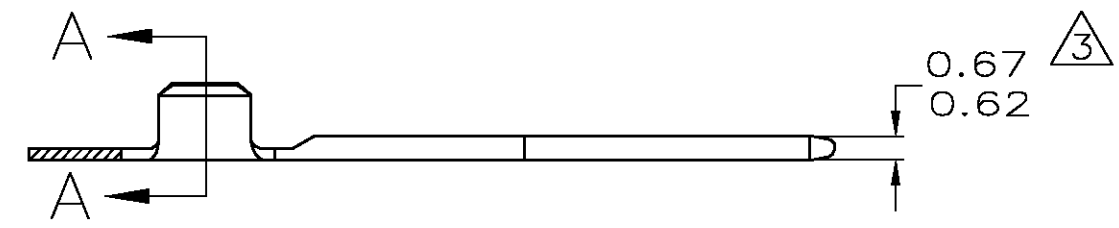
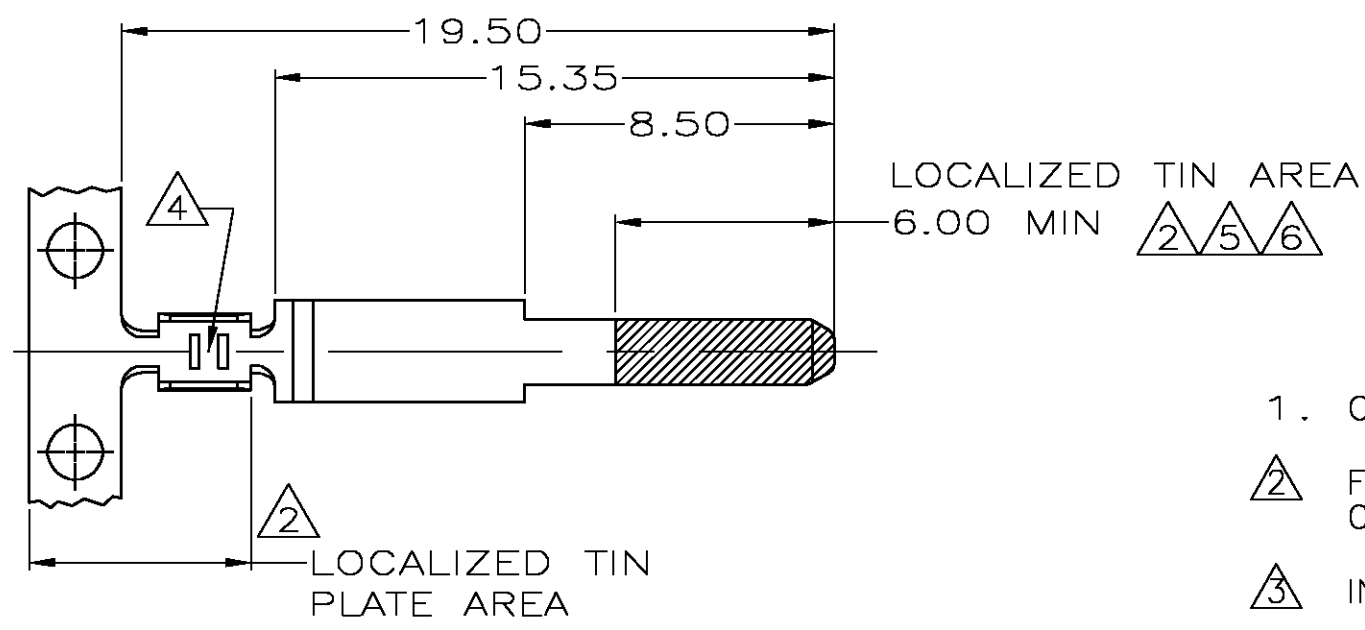


THIS DRAWING IS UNPUBLISHED. RELEASED FOR PUBLICATION
 © COPYRIGHT BY TYCO ELECTRONICS CORPORATION. ALL RIGHTS RESERVED.

LOC	DIST	REVISIONS					
GE	00	P	LTR	DESCRIPTION	DATE	DWN	APVD
		A1		REDRAWN - EC 0K40-0364-03	07MAY03	JRB	KLC



SECTION A-A
SCALE 10:1

1. CONTINUOUS STRIP ON REELS.
2. FINISH: 0.0038 TO 0.0076 TIN IN LOCALIZED AREAS OVER 0.00127 MIN NICKEL OVERALL.
3. INCLUDES PLATING THICKNESS.
4. TWO WIRE CRIMP SERRATIONS LOCATED IN THIS AREA.
5. DIM 6.0 POINT OF PLATING MEASUREMENT.
6. NO POST PLATED TOOL MARKS PERMITTED IN THIS AREA.

2	SAE CA 260 TEMP 2 BRASS	22 AWG STRANDED	184365-1												
FINISH	MATERIAL	WIRE SIZE	PART NO												
THIS DRAWING IS A CONTROLLED DOCUMENT.		DWN KD LYTL 30SEP99	Tyco Electronics Corporation Harrisburg, PA 17105-3608												
DIMENSIONS: MM		CHK GM INHOFER 11OCT99													
TOLERANCES UNLESS OTHERWISE SPECIFIED:		APVD GM INHOFER 11OCT99	NAME TAB, E-JII+ SENSOR CONNECTOR												
<table border="0"> <tr><td>0 PLC</td><td>± -</td></tr> <tr><td>1 PLC</td><td>± 0.3</td></tr> <tr><td>2 PLC</td><td>± 0.13</td></tr> <tr><td>3 PLC</td><td>± -</td></tr> <tr><td>4 PLC</td><td>± -</td></tr> <tr><td>ANGLES</td><td>± -</td></tr> </table>		0 PLC	± -	1 PLC	± 0.3	2 PLC	± 0.13	3 PLC	± -	4 PLC	± -	ANGLES	± -	PRODUCT SPEC	RESTRICTED TO
0 PLC	± -														
1 PLC	± 0.3														
2 PLC	± 0.13														
3 PLC	± -														
4 PLC	± -														
ANGLES	± -														
MATERIAL SEE TABLE	FINISH SEE TABLE	APPLICATION SPEC	SIZE A3												
		WEIGHT -	CAGE CODE 00779												
		DRAWING NO C-184365													
CUSTOMER DRAWING		SCALE 5:1	SHEET 1 OF 1												
		REV A1													

Mouser Electronics

Authorized Distributor

Click to View Pricing, Inventory, Delivery & Lifecycle Information:

[TE Connectivity:](#)

[184365-1](#)