

# Horizontal Test Jack Insulated Miniature

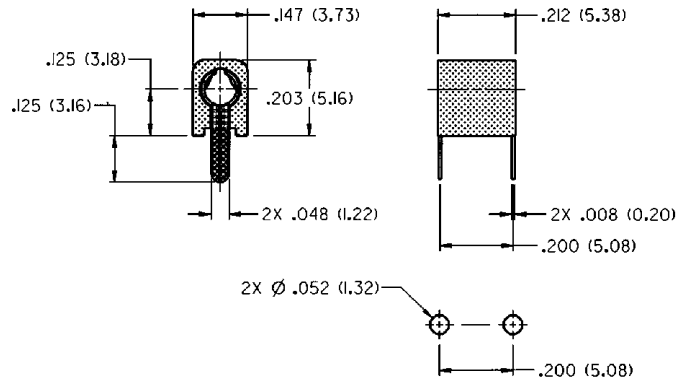


## SPECIFICATIONS

**Contact:** Copper aluminum alloy\*  
**Finish:** Silver  
**Body:** Nylon 6/6 per ASTM D4066

## RATINGS

**Current:** 5 amps  
**Breakdown Voltage:** 2100 Vrms minimum  
**Contact Resistance:** 0.010 ohms maximum  
**Adjacent Jack C:** 1 pF maximum at 1 MHz



MOUNTING HOLE LAYOUT

SILVER PLATING	
PART NO.	COLOR
105-1104-001	Green

**For Standard Tip Plug: .080 (2.00) Diameter**

## FEATURES:

- Contact protected from flux and solder
- Probe access from both ends
- Nylon UL approved for self extinguishing

\* A new material development that, for this application, meets or exceeds beryllium copper.

# Mouser Electronics

Authorized Distributor

Click to View Pricing, Inventory, Delivery & Lifecycle Information:

[Cinch Connectivity Solutions:](#)

[105-1104-001](#)